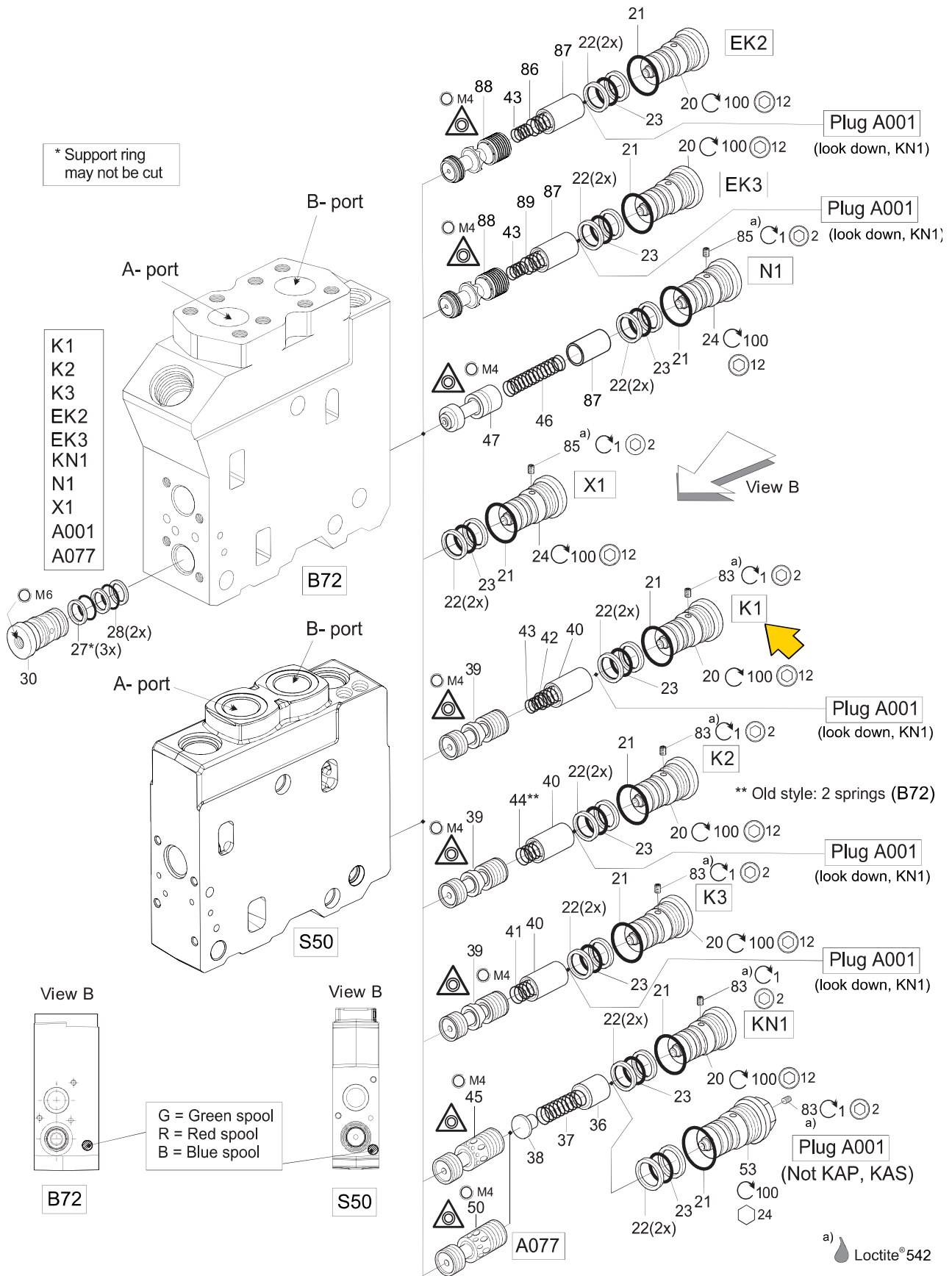


S50, B72 (common): X1, N1, K1, K2, K3, EK2, EK3, KN1, A001, A077



See Customer Specification				
Code	Pos	Part	Description	Remarks / Items
K1, K2, K3, EK2, EK3, KN1, N1, X1, A077; A001	66; 74	6760209	Plug for compensators	30 [27(3x), 28(2x)]
	66; 74	9120092355	Seal kit	27(3x), 28(2x)
X1, N1	66	9120092478	Plug, valve without compensator	24 [21, 22(2x), 23], 85
K1, K2, K3, KN1, A077 + 0,6	66 + 67	9120092479	Plug w. orifice \varnothing 0.6 mm assembled	20 [21, 22(2x), 23], 83
K1, K2, K3, EK*, KN1, A077 + 0.8	66 + 67	9120092480	Plug w. orifice \varnothing 0.8 mm assembled	20 [21, 22(2x), 23]
K1, K2, K3, KN1, A077 + 1,0	66 + 67	9120092481	Plug w. orifice \varnothing 1.0 mm assembled	20 [21, 22(2x), 23], 83
		9120092482	Seal kit	21, 22(2x), 23
N1	66	9120092379	Feeding check valve, size 'Red'	46, 47, 87
N1	66	9120092380	Feeding check valve, size 'Green'	46, 47, 87
N1	66	9120092381	Feeding check valve, size 'Blue'	46, 47, 87
N1	66	6760789	Spring kit, N1	46
K1	66	9120092062	Compensator K1, size '1', (Red)	39, 40, 42, 43
K1	66	9120092058	Compensator K1, size '2', (Green)	39, 40, 42, 43
K1	66	9120092054	Compensator K1, size '3', (Blue)	39, 40, 42, 43
K1	66	6760785	Spring kit, K1	42, 43
K2	66	9120092063	Compensator K2, size '1', (Red)	39, 40, 44
K2	66	9120092059	Compensator K2, size '2', (Green)	39, 40, 44
K2	66	9120092055	Compensator K2, size '3', (Blue)	39, 40, 44
K2	66	6760786	Spring kit, K2	44
K3	66	9120092064	Compensator K3, size '1', (Red)	39, 40, 41
K3	66	9120092060	Compensator K3, size '2', (Green)	39, 40, 41
K3	66	9120092056	Compensator K3, size '3', (Blue)	39, 40, 41
K3	66	6760787	Spring kit, K3	41
KN1	66	9120092595	Compensator KN1, size '1', (Red)	36, 37, 38, 45
KN1	66	9120092596	Compensator KN1, size '2', (Green)	36, 37, 38, 45
KN1	66	9120092597	Compensator KN1, size '3', (Blue)	36, 37, 38, 45
KN1, A077	66	6760788	Spring kit, KN1, A077	37
EK2	66	6761064	Compensator EK2, size '1', (Red)	43, 86, 87, 88
EK2	66	6761065	Compensator EK2, size '2', (Green)	43, 86, 87, 88
EK2	66	6761066	Compensator EK2, size '3', (Blue)	43, 86, 87, 88
EK2	66	6761063	Spring kit, EK2	43, 86
EK3	66	6761068	Compensator EK3, size '1', (Red)	43, 87, 88, 89
EK3	66	6761069	Compensator EK3, size '2', (Green)	43, 87, 88, 89
EK3	66	6761070	Compensator EK3, size '3', (Blue)	43, 87, 88, 89
EK3	66	6761067	Spring kit, EK3	43, 89
B72 + PC, EC*	47B + 50	6760210	Seal kit	21, 65** (65: see page 26)
A001 + 0,6 a)	74 + 67	9120092535	Plug w. orifice \varnothing 0.6 mm assy, UNF	53 [21, 22(2x), 23], 83
A001 + 0,8	74 + 67	9120092505	Plug w. orifice \varnothing 0.8 mm assy, UNF	53 [21, 22(2x), 23], 83
A001 + 1,0 a)	74 + 67	9120092545	Plug w. orifice \varnothing 1.0 mm assy, UNF	53 [21, 22(2x), 23], 83
A001 + 0,6 a)	74 + 67	9120092531	Plug w. orifice \varnothing 0.6 mm assy, BSP	53 [21, 22(2x), 23], 83
A001 + 0,8	74 + 67	9120092532	Plug w. orifice \varnothing 0.8 mm assy, BSP	53 [21, 22(2x), 23], 83
A001 + 1,0 a)	74 + 67	9120092533	Plug w. orifice \varnothing 1.0 mm assy, BSP	53 [21, 22(2x), 23], 83
A077	66	6760453	Compensator A077, size '3', (Blue)	36, 37, 38, 50

a) No for Slim spool section S50.