


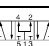

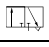
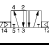
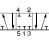

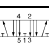


Order chart - Viking Xtreme Valves - Xtreme operating pressure / temperature

P 2 L B X 5 1 2 E S H D D B 4 9

P 2 L	A	X	5	1 1	E S	H D	D B 4 9																																															
Valve family	Size	Version	Port thread	Solenoid pilot type	Solenoid exhaust	Overrides	Voltage ³																																															
P2L Viking inline valve	A 1/8 B 1/4 C 3/8 D 1/2	X Xtreme duty spool	11 G1/8 12 G1/4 13 G3/8 14 G1/2 91 1/8 NPT 92 1/4 NPT 93 3/8 NPT 94 1/2 NPT	H¹ 16 bar / -40°C to 60°C	D Vented N Capture/tapped M5	D Extended non-locking	<table border="1" style="width: 100%; border-collapse: collapse;"> <thead> <tr> <th rowspan="2"></th> <th colspan="2">AC</th> <th>DC</th> </tr> <tr> <th>60Hz</th> <th>50Hz</th> <th></th> </tr> </thead> <tbody> <tr> <td>40</td> <td>12</td> <td></td> <td></td> </tr> <tr> <td>42</td> <td>24</td> <td>22</td> <td></td> </tr> <tr> <td>45</td> <td></td> <td></td> <td>12</td> </tr> <tr> <td>47*</td> <td></td> <td></td> <td>12</td> </tr> <tr> <td>48*</td> <td></td> <td></td> <td>24</td> </tr> <tr> <td>49</td> <td></td> <td></td> <td>24</td> </tr> <tr> <td>53</td> <td>120</td> <td>110</td> <td></td> </tr> <tr> <td>57</td> <td>240</td> <td>230</td> <td></td> </tr> <tr> <td>72</td> <td></td> <td></td> <td>110</td> </tr> <tr> <td>XX</td> <td colspan="3">valve less solenoid/coil</td> </tr> </tbody> </table>		AC		DC	60Hz	50Hz		40	12			42	24	22		45			12	47*			12	48*			24	49			24	53	120	110		57	240	230		72			110	XX	valve less solenoid/coil		
	AC		DC																																																			
	60Hz	50Hz																																																				
40	12																																																					
42	24	22																																																				
45			12																																																			
47*			12																																																			
48*			24																																																			
49			24																																																			
53	120	110																																																				
57	240	230																																																				
72			110																																																			
XX	valve less solenoid/coil																																																					
Valve type function																																																						
Solenoid operated with internal supply to solenoid																																																						
3		3/2 valve																																																				
5		5/2 valve																																																				
6		5/3 valve closed centre position																																																				
7		5/3 valve pressurised centre																																																				
8		5/3 valve vented centre																																																				
Solenoid operated with external pilot supply to solenoids through ports 10 & 12 for 3/2 version and through ports 12 & 14 for 5/2 & 5/3 version																																																						
L		3/2 valve																																																				
N		5/2 valve																																																				
P		5/3 valve closed centre position																																																				
Q		5/3 valve pressurised centre																																																				
R		5/3 valve vented centre																																																				
Pilot main actuator / Return																																																						
E	Solenoid operated valve																																																					
S	Spring (return only)																																																					
P	Press (return only)																																																					
Solenoid enclosure / Lead length																																																						
A	22mm Solenoid pilot & 30mm coil Form A																																																					
B	22mm Solenoid pilot & 22mm coil Industrial Form B																																																					
N	22mm Solenoid pilot less coil																																																					

¹ Solenoid operated 'H' version supplied with B type enclosure 16 bar solenoid

³ Shaded part numbers are available from stock
Unshaded part numbers are available on request but will be subject to minimum order quantities
Otherwise order coil and valve separately.

Shaded part numbers are standard

Solenoid operated directional control valves - Xtreme duty -40°C to +60°C

P2LAX/P2LBX - 16 bar, P2LCX/P2LDX - 12 bar

Complete with 22mm solenoid and 24V DC coil.

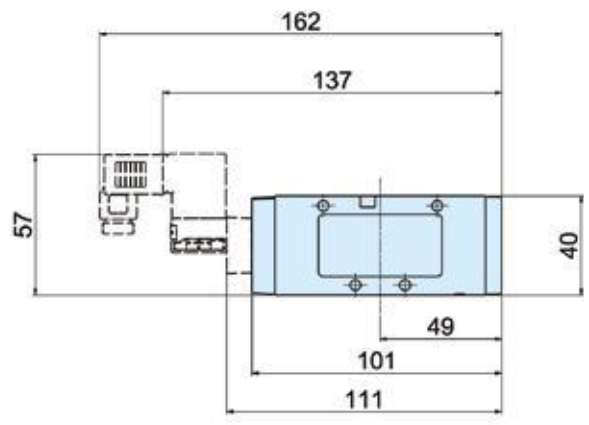
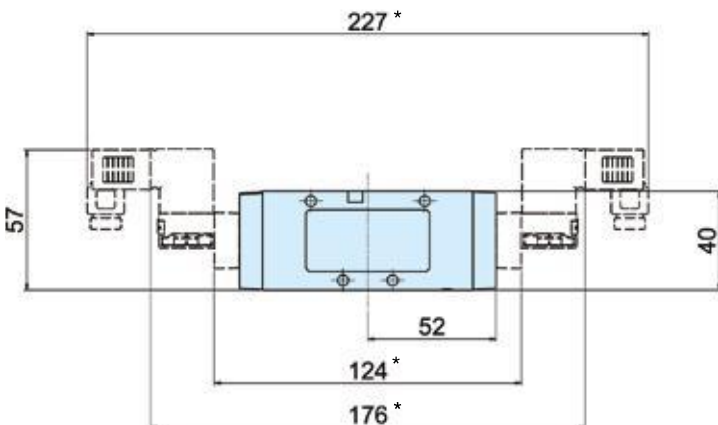
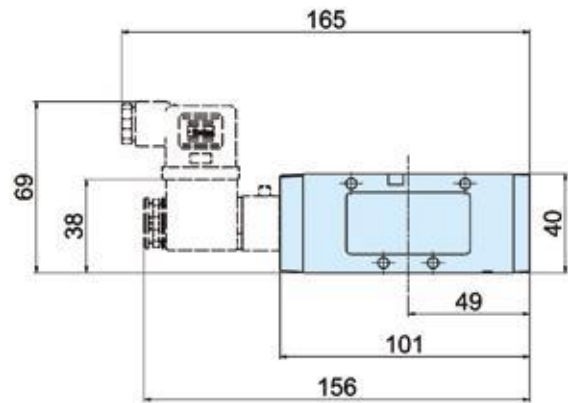
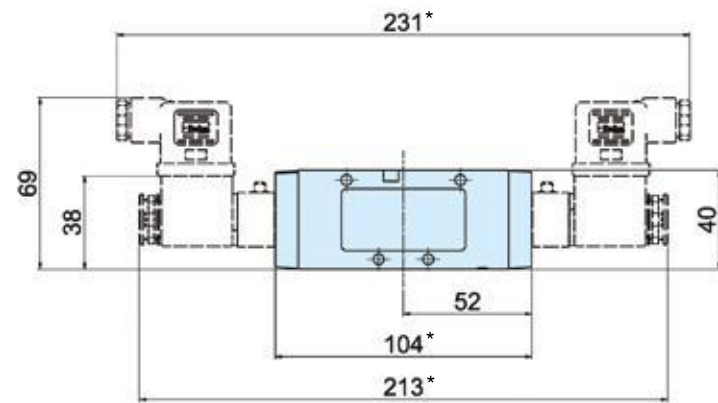
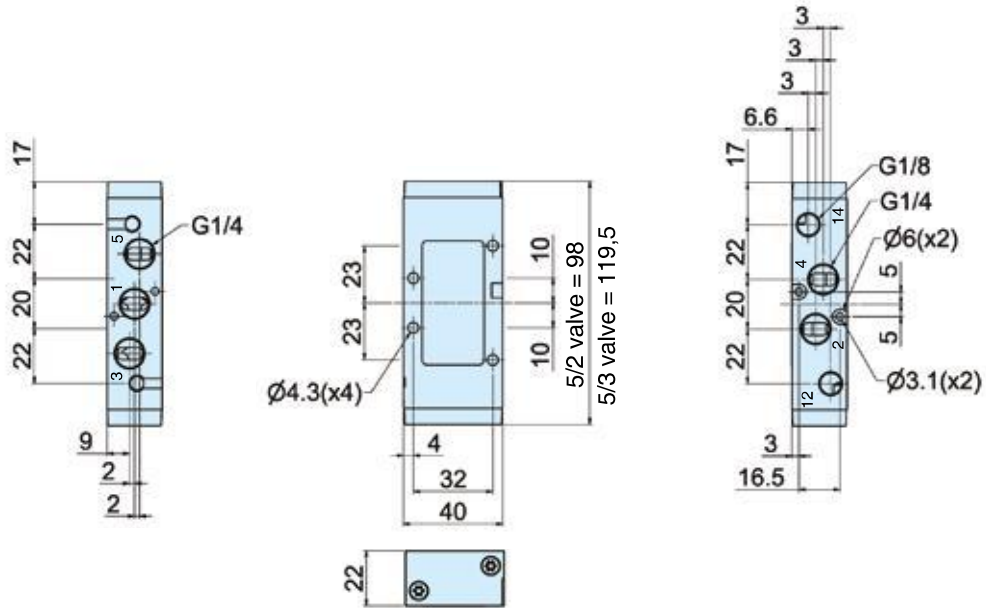
Internal supply to solenoid valve(s) via port 1. Connector/cable plugs to be ordered separately.

Symbol	Size	Actuation	Return	Min Operating Pressure (bar)	Changeover time (ms) at 6 bar @20°C actua./return	Weight Kg	Order code
3/2 valves, internal air, low temperature							
	G1/8	Electric signal	Electric signal	1,5	11/11	0,42	P2LAX311EEHDDDB49
	G1/4		Low temp.	1,5	13/13	0,42	P2LBX312EEHDDDB49
	G3/8			1,5	18/18	0,48	P2LCX313EEHDDDB49
	G1/2			1,5	18/18	0,48	P2LDX314EEHDDDB49
	G1/8	Electric signal	Spring	3,2	15/45	0,38	P2LAX311ESHDDDB49
	G1/4		Low temp.	3,5	25/65	0,38	P2LBX312ESHDDDB49
	G3/8			3,5	25/85	0,46	P2LCX313ESHDDDB49
	G1/2			3,5	25/85	0,46	P2LDX314ESHDDDB49
5/2 valves, internal air, low temperature							
	G1/8	Electric signal	Electric signal	1,5	11/11	0,27	P2LAX511EEHDDDB49
	G1/4		Low temp.	1,5	13/13	0,42	P2LBX512EEHDDDB49
	G3/8			1,5	18/18	0,48	P2LCX513EEHDDDB49
	G1/2			1,5	18/18	0,48	P2LDX514EEHDDDB49
	G1/8	Electric signal	Spring	3,2	15/45	0,22	P2LAX511ESHDDDB49
	G1/4		Low temp.	3,2	20/55	0,38	P2LBX512ESHDDDB49
	G3/8			3,2	25/85	0,46	P2LCX513ESHDDDB49
	G1/2			3,2	25/85	0,46	P2LDX514ESHDDDB49
5/3 valves, internal air, low temperature							
	G1/8	Electric signal	Electric signal	3,5	18/50	0,28	P2LAX611EEHDDDB49
	G1/4	Closed centre position	Self centring	3,5	25/65	0,45	P2LBX612EEHDDDB49
	G3/8			3,5	30/90	0,55	P2LCX613EEHDDDB49
	G1/2		Low temp.	3,5	30/95	0,55	P2LDX614EEHDDDB49
	G1/8	Electric signal	Electric signal	3,5	18/50	0,28	P2LAX811EEHDDDB49
	G1/4	Vented centre position	Self centring	3,5	25/65	0,45	P2LBX812EEHDDDB49
	G3/8			3,5	30/90	0,55	P2LCX813EEHDDDB49
	G1/2		Low temp.	3,5	30/95	0,55	P2LDX814EEHDDDB49
	G1/8	Electric signal	Electric signal	3,5	18/50	0,28	P2LAX711EEHDDDB49
	G1/4	Pressurised centre position	Self centring	3,5	25/65	0,45	P2LBX712EEHDDDB49
	G3/8			3,5	30/90	0,55	P2LCX713EEHDDDB49
	G1/2		Low temp.	3,5	30/95	0,55	P2LDX714EEHDDDB49

Dimensions

P2LBX... all

5/2 and 5/3 valves



* Note: 5/3 valves - add 21.5mm