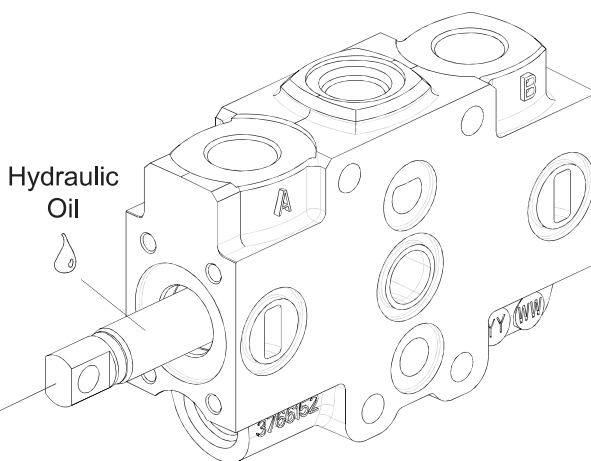
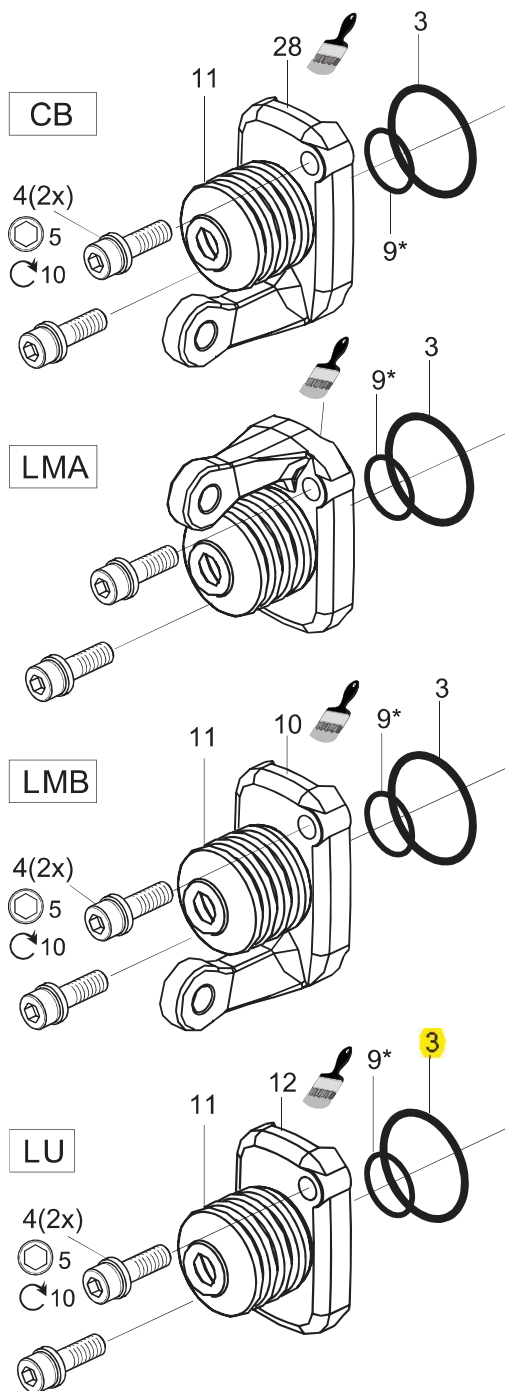


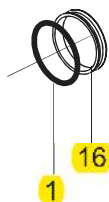
Spool Actuators, Side A

See Customer Specification				
Code	Pos	Part	Description	Remarks / Items
LMA, LMB	51	398000K009	Lever holder kit	3, 4(2x), 9, 10 [11]
LU	51	398000K010	Cover LU	3, 4(2x), 9, 12 [11]
CB	50	398000K073	Lever holder kit CB	3, 4(2x), 28 [9, 11]
LMA, LMB, LU; CB	51; 50	398000K805	Boot and Seal kit LMA, LMB, LU, CB	3, 9(2x), 11
LMA, LMB, LU; CB	51; 50	6760445	Seal kit O-ring	9 (5x)
LMA, LMB, LU; CB	51; 50	398000K807	Boot kit	11 (6x)
ACP	50	398000K806	Seal kit ACP	1, 3(2x), 16

Open spool end: LMA, LMB, LU, CB



* If position 50 in the customers specification is **ACP**, item 9 is replaced by items **1** and **16**. See spool actuator **ACP** on page 18.



 Castrol® Entrepreneur Grease

