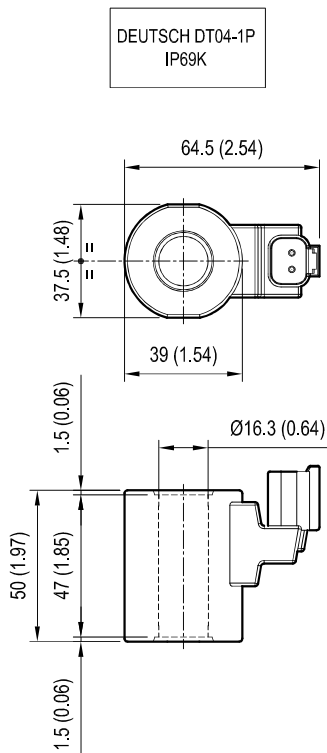


Coils - Connectors

COIL R7 - CLASS H - 28 W

OD.02.22 - X - Y - Z - 00



[mm / Inches]

TECHNICAL DATA

Weight: 0.31 kg (0.71 lbs)

Heat insulation Class H: 180°C (356°F)

Ambient temperature range: -20/+50°C (-4/+122°F)

X	Y	Connections	Circuit	Voltage
31	3P	DEUTSCH DT04-28	Single diode	DC

Z	Voltage V	Resistance Ohm (±7%)	Power W
	Nominal	Ta = 20-25°C (68-77°F)	Cold coil
OC	24 DC	20.4	28

Preferred types (readily available)

Type	Material number
OD0222313POC00	R934005009
OD0222313POC00	R934005009

Type	Material number

Further types available by request