

# Coils - Connectors

COIL GZ37 ON/OFF - CLASS H - 22W

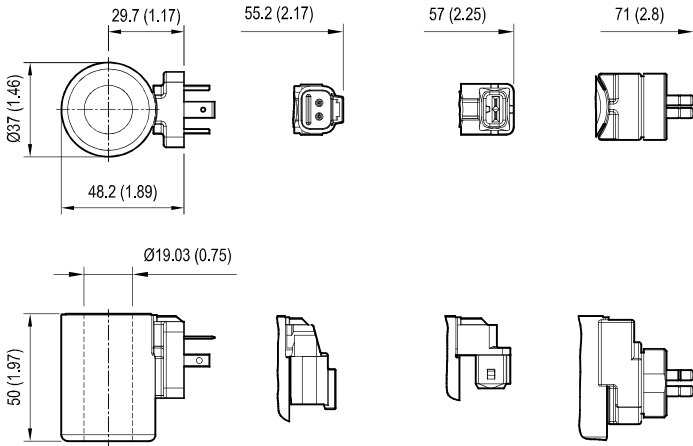
37 - X - 22G - Y 00

DIN EN 175301 - 803  
IP65

DEUTSCH DT04 - 2P  
C37

AMP JUNIOR  
C37

KOSTAL M27x1  
C37



### TECHNICAL DATA

Weight: 0.24 kg (0.53 lbs)  
 Heat insulation Class H: 180°C (356°F)  
 Ambient temperature range: -40/+110°C (-40/+230°F)  
 Inlet voltage fluctuations must not exceed ±15% of nominal voltage to obtain correct operation and long life coils.  
 Coils are not equipped with suppression diode.  
 Coating to DIN 50962 - Fe // ZnNi with thick film passivation.  
 (Salt spray test to DIN 50021 720 h)

[mm / Inches]

X	Connection	Type of protection
C4	AMP JUNIOR TIMER	IP 66 (IP69K with connector R901022127) see RE08006
K40	DT04-2P DEUTSCH	IP 69K
<b>K4</b>	<b>DIN 43650 - ISO4400</b>	<b>IP65</b>
K46	KOSTAL	IP65

Y	Voltage V	Resistance Ohm ± 5%	Power W
	Nominal	T= 20°C (68°F)	T= 20° (68°F) Nominal Voltage
<b>12</b>	<b>12 DC</b>	<b>6.4</b>	<b>22</b>
24	24 DC	25.8	22
48	48 DC	101	22
96	96 DC	387	22
205	205 DC	1870	22

## Preferred types

Type	Material number
37-C4-22G1200	R900315818
37-C4-22G2400	R900315819
37-K40-22G1200	R900729189
37-K40-22G2400	R900729190
<b>37-K4-22G1200</b>	<b>R900991678</b>
37-K4-22G2400	R900991121

Type	Material number
37-K4-22G4800	R901037025
37-K4-24G9600	R900704587
37-K4-22G20500	R900704588
37-K46-22G1200	R901269304
37-K46-22G2400	R901237400