

Coils - Connectors

COIL GZ37 ON/OFF - CLASS H - 22W

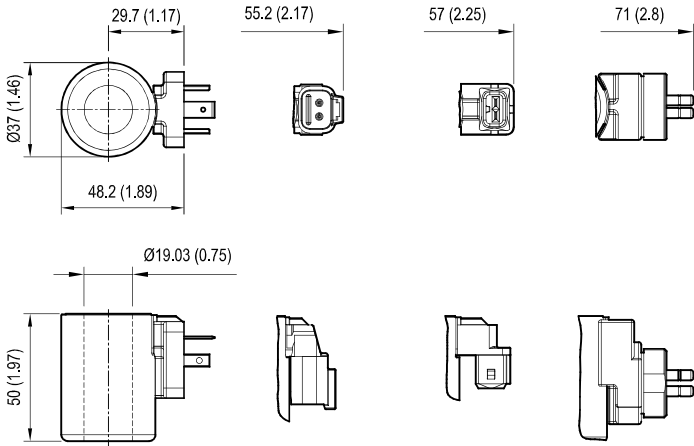
37 - X - 22G - Y 00

DIN EN 175301 - 803
IP65

DEUTSCH DT04 - 2P
C37

AMP JUNIOR
C37

KOSTAL M27x1
C37



TECHNICAL DATA

Weight: 0.24 kg (0.53 lbs)
 Heat insulation Class H: 180°C (356°F)
 Ambient temperature range: -40/+110°C (-40/+230°F)
 Inlet voltage fluctuations must not exceed ±15% of nominal voltage to obtain correct operation and long life coils.
 Coils are not equipped with suppression diode.
 Coating to DIN 50962 - Fe // ZnNi with thick film passivation.
 (Salt spray test to DIN 50021 720 h)

[mm / Inches]

X	Connection	Type of protection
C4	AMP JUNIOR TIMER	IP 66 (IP69K with connector R901022127) see RE08006
K40	DT04-2P DEUTSCH	IP 69K
K4	DIN 43650 - ISO4400	IP65
K46	KOSTAL	IP65

Y	Voltage V	Resistance Ohm ± 5%	Power W
	Nominal	T= 20°C (68°F)	T= 20° (68°F) Nominal Voltage
12	12 DC	6.4	22
24	24 DC	25.8	22
48	48 DC	101	22
96	96 DC	387	22
205	205 DC	1870	22

Preferred types

Type	Material number
37-C4-22G1200	R900315818
37-C4-22G2400	R900315819
37-K40-22G1200	R900729189
37-K40-22G2400	R900729190
37-K4-22G1200	R900991678
37-K4-22G2400	R900991121

Type	Material number
37-K4-22G4800	R901037025
37-K4-24G9600	R900704587
37-K4-22G20500	R900704588
37-K46-22G1200	R901269304
37-K46-22G2400	R901237400