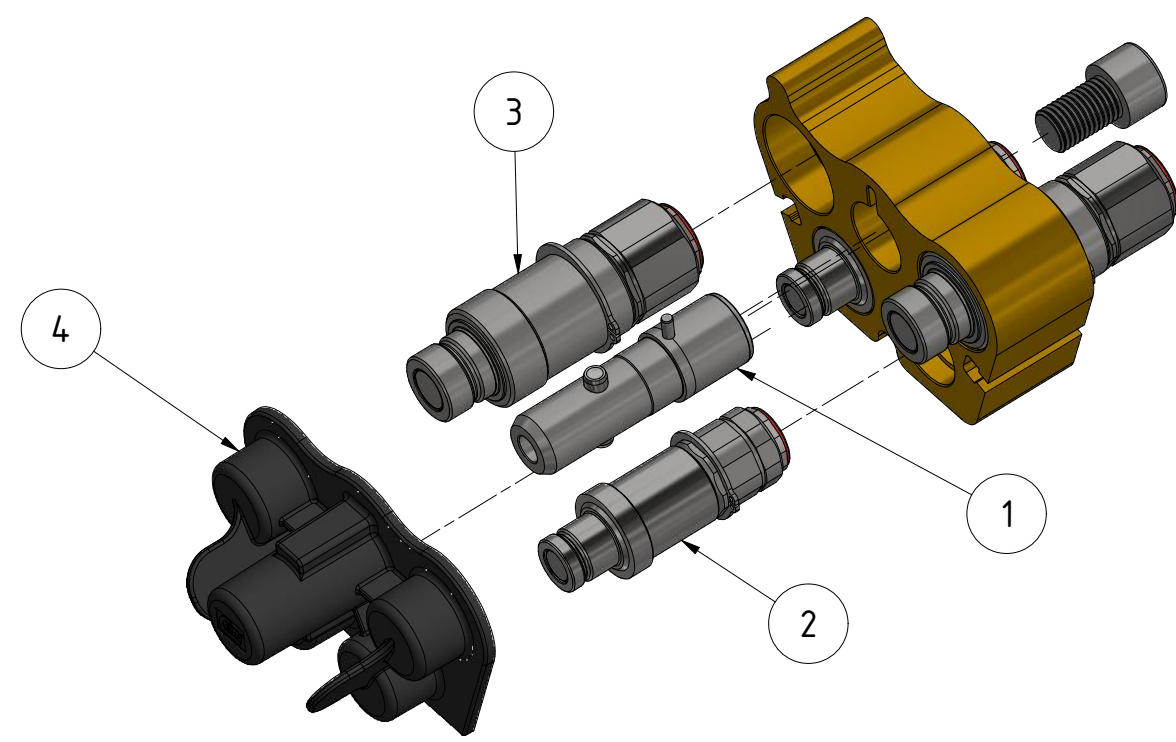
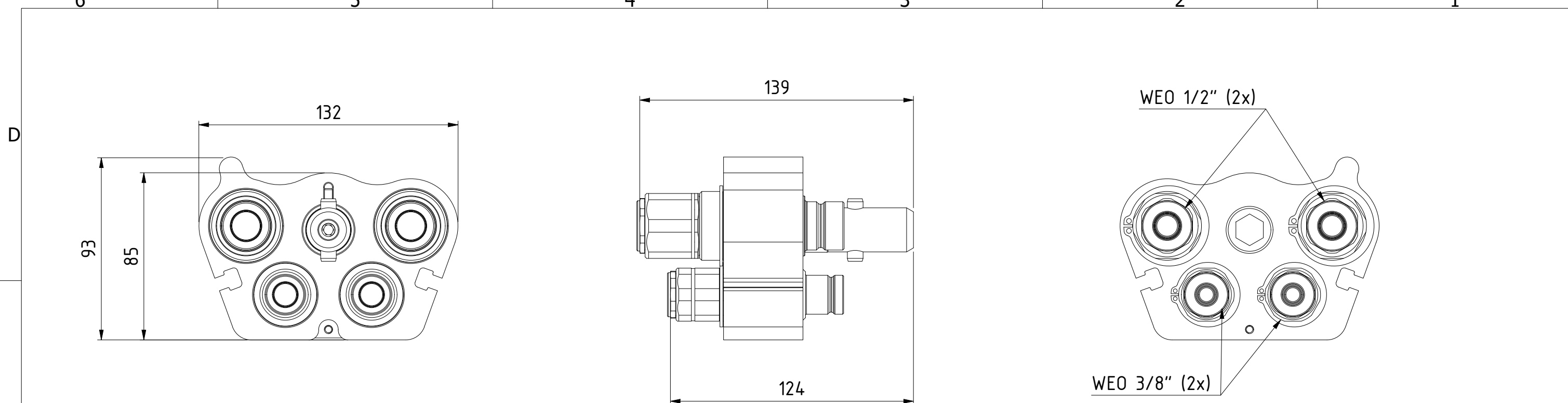



This document must not be copied, either completely or in part, without permission. Any infringement will have legal consequences ©



Product No.	109324150
Nominal flow \varnothing DN:	10 / 12.5 mm
Connection Stroke:	mm
Max WP Connected:	350 bar
Max WP Disconnected:	350 bar
Min BP Connected:	1200 bar
Min BP Disconnected:	1200 bar
Temperature range:	-30°C - 100°C
Connection:	3/8" & 1/2" WEO
Sealing material:	NBR
Hexagon:	

Item	Qty	Description	Material	Part Number
4	1	Dust Cap		109321053
3	2	Nipple Kit DN12,5		105646909
2	2	Nipple Kit DN10		103646909
1	1	Center Bolt Asse.		109324972

Scale	2 : 4	Drawn	EP	Checked	JoEr	Appr.	PMB	ECO	12493	Date	2019-06-13
 Assembly Drawing 509324150										Issue	AA
										Sheet	1 / (1)

A3