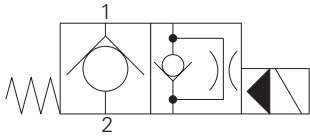


# SV5-8-C/CM - Solenoid Valve

Poppet type, normally closed solenoid valve  
 23 L/min (6 USgpm) • 210 bar (3000 psi)

A



## Operation

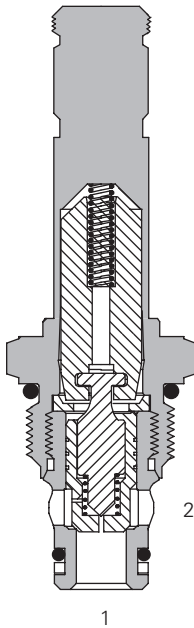
In the de-energized position the valve blocks flow from port 2 to 1 and free flow is allowed from port 1 to 2.

When the solenoid is energized the pilot poppet is pulled off the seat allowing the valve to open from port 2 to 1. In the reverse direction the flow is restricted by the pilot orifice.

## Features

Hardened and ground working parts. Lapped seat for low leakage. IP69K Tough coil compatibility. Continuously rated. Compact design with low pressure drop.

## Sectional View



## Performance Data

### Ratings and Specifications

Performance data is typical with fluid at 21,8 cST (105 SUS) and 49°C (120°F)

Typical application pressure (all ports)	210 bar (3000 psi)
Cartridge fatigue pressure (infinite life)	210 bar (3000 psi)
Rated flow	23 L/min (6 USgpm)
Internal leakage	less than 5 drops/min @ 210 bar (3000 psi)
Coil duty	Continuous from 85% to 110% of nominal voltage
Response times (100% rated voltage and flow)	Energize: 18 ms De-Energize: 46 ms
Temperature range	-40° to 120°C (-40° to 248°F)
Cavity	C-8-2
Fluids	All general purpose hydraulic fluids such as: MIL-H-5606, SAE 10, SAE 20 etc.
Filtration	Cleanliness code 18/16/13
Housing material (standard)	Aluminum
Weight including coil	0,28 kg (0.62 lbs)
Seal kit	02-165875 (Buna-N), 02-165877 (Viton)

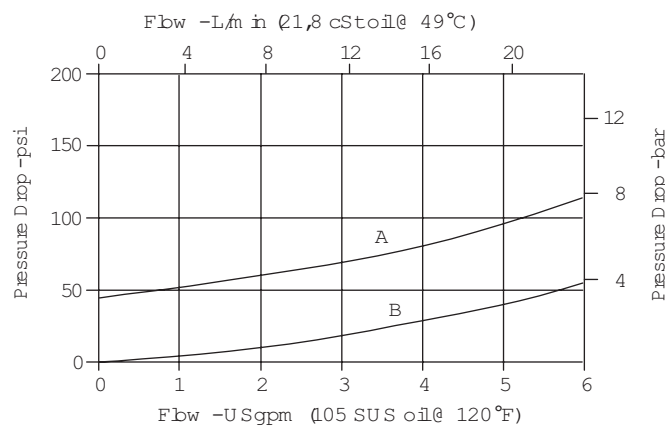
Viton is a registered trademark of E.I. DuPont

## Description

This is a 2-way, 2-position, poppet type, pilot operated, normally closed solenoid valve. This valve is used in applications requiring low leakage, such as load holding applications or as a general purpose diverter or dump valve.

## Pressure Drop

Cartridge only



A - Port 1 to port 2 de-energized  
 B - Port 2 to port 1 energized

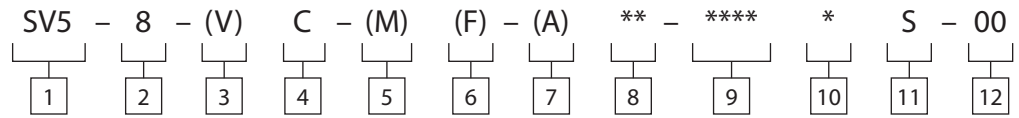
Where measurements are critical request certified drawings. We reserve the right to change specifications without notice.

# SV5-8-C/CM - Solenoid Valve

Poppet type, normally closed solenoid valve  
23 L/min (6 USgpm) • 210 bar (3000 psi)

**SV5-8-C-0-00**

## Model Code



1 Function  
**SV5 - Solenoid valve**

2 Size  
**8 - 8 size**

3 Seal Material  
Blank - Buna-N  
V - Viton\*

4 Style  
**C - Normally closed**

5 Manual Override Option  
**Blank - No manual override**  
M - Knob type  
For valve dimensions with manual override option installed see page A-980.

6 Filter Option  
**Blank - None**  
F - Filter screen

8 Port Size

Code	Port Size	Housing Number
<b>0</b>	<b>Cartridge only</b>	
2G	1/4" BSPP	02-160727
3G	3/8" BSPP	02-160728

4T	SAE 4	02-160730
6T	SAE 6	02-160731
8T	SAE 8	02-160732

See section J for housing details.

9 Voltage Rating  
**00 - No coil**  
12D - 12VDC  
24D - 24VDC  
36D - 36VDC

7 Valve Housing Material  
Omit for cartridge only  
A - Aluminum

10 Connector Types  
Blank - No coil  
G - ISO 4400 DIN 43650  
Q - Spade terminals  
W - Flying lead  
N - Deutsch (DC only)  
Y - Amp JR (DC only)  
D - Metripack 150 male (DC only)  
J - Metripack 280 male (DC only)

11 Coil Series  
S - 8 series, 20 W  
For coil part numbers and dimensions see section C.

12 Special Features  
00 - None  
(Only required if valve has special features, omitted if "00")

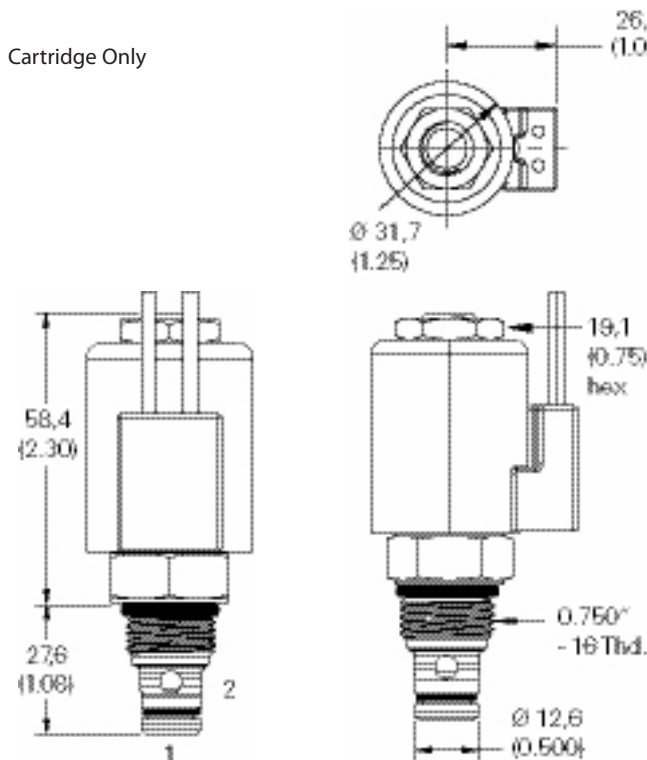
## Dimensions

mm (inch)

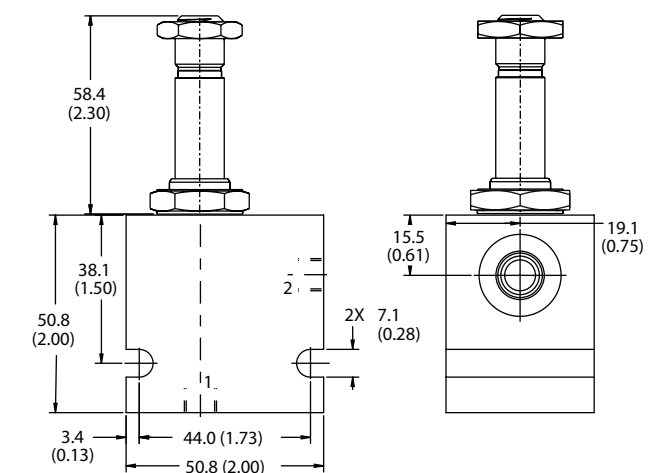
### Cartridge Only

Torque cartridge in aluminum housing 34-41 Nm (25-30 ft lbs)

Note: When solenoid valve is ordered as cartridge only, coil nut is included.



### Installation Drawing



**WARNING**  
Maintain 5-8 Nm (4-6 ft lbs) maximum torque on valve tube nut. Over tightening may cause valve failure.