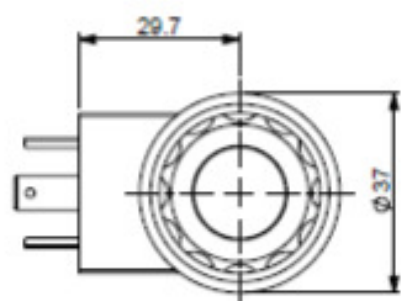
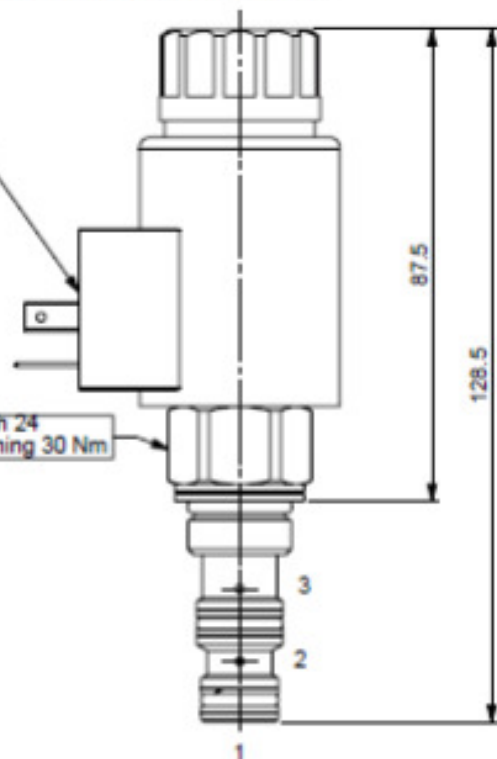
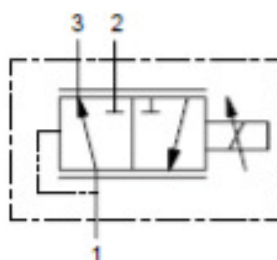


Predisposition for connector
Type A EN 175301-803 (DIN 43650)

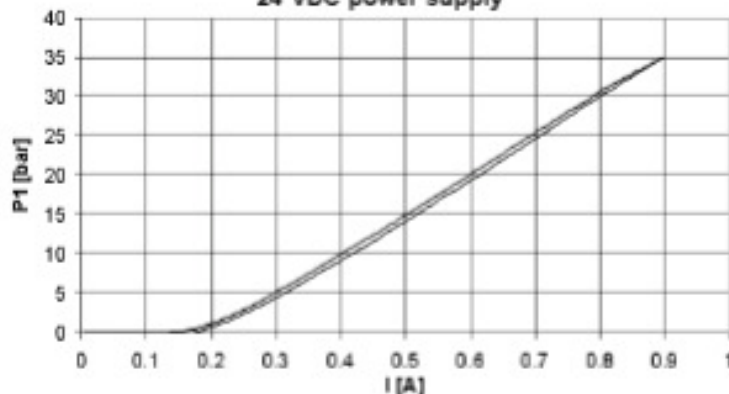
Wrench 24
Tightening 30 Nm



PROPORTIONAL PRESSURE CONTROL
VALVE, REDUCING/RELIEVING,
DIRECT OPERATED, SPOOL TYPE



P1 vs I adjustment diagram
24 VDC power supply



CHARACTERISTICS

Maximum flow: 4 l/min
Max pressure: 210 bar
Maximum current setting: 0.9 A
Dither frequency: 150 Hz
Hysteresis with Dither frequency 150 Hz: 7%
Relieving pressure range:
(from threshold to maximum control current) 5-35 bar
Backpressure in 3 will increase the setting value of
pressure in 1 (ratio 1:1)
Fluid: mineral oil 20 + 200 cSt
Cavity: SAE 08/3

TEST CONDITIONS

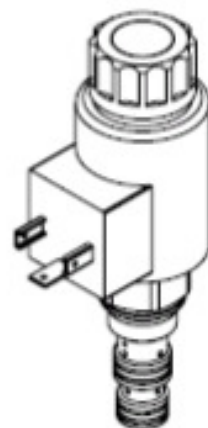
Oil viscosity: 46 cSt at 40°C

SEALS

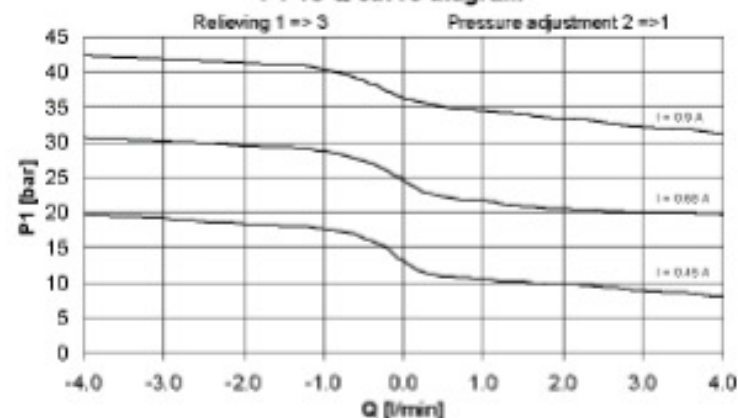
Material: NBR 70 Sh
Temperatures ranging: -20°C + 90°C

COILS CHARACTERISTICS

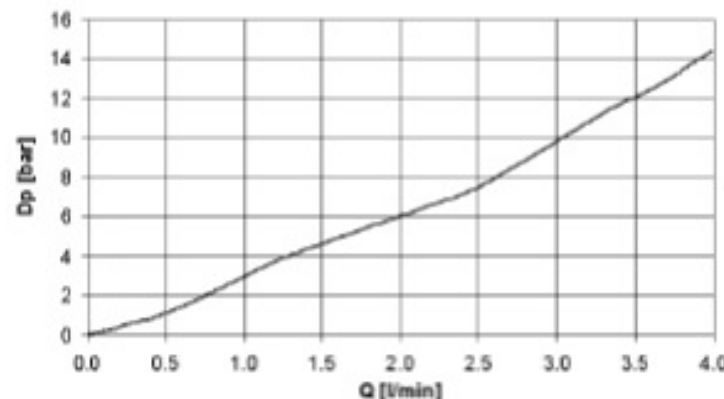
Voltage: 24 VDC
Maximum current: 0.9 A
Resistance to 20°C: 15.5 Ohm
Duty cycle: ED 100%
Protection class: IP 65
Coil insulation class: F (155°C)



P1 vs Q curve diagram



2 -> 1 pressure drop



Last edition description :



Scale 1:1

A3-SW

Description
RD08S/043B VALVE



Substitute

Technical Reference:
Cigarini

http://www.walvoil.com
e-mail: info@walvoil.com
REGGIO EMILIA - ITALY

Draw. 08/08/12 Folloni
All rights reserved

Code
ORD08002022

I.R.
01