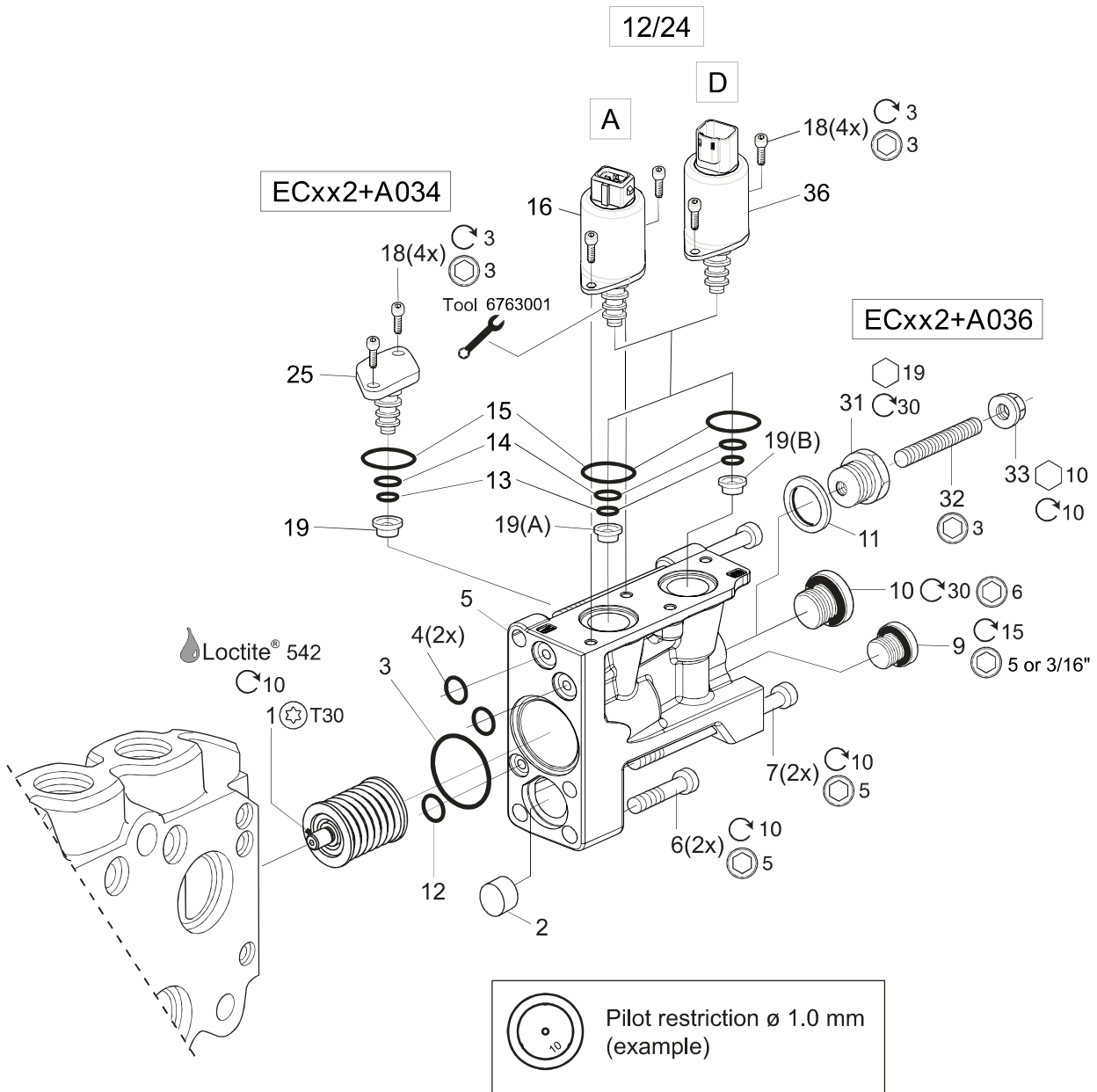


Spool Actuators, Side B

EC2, ECH2, ECHL2, ECS2, ECP2, ECSP2, A, D, 12, 24, A034, A036



Spool Actuators, Side B

See Customer Specification				
Code	Pos	Part	Description	Remarks / Items
EC2, ECH2, ECS2, ECP2, ECSP2	50	393000K343	Spring kit, std (5.5-15) bar	1
ECHL2	50	393000K342	Spring kit, Light (5.5-11) bar	1
ECxx2 + G	50 + 04	6763033	Cap kit ECxx2, B-side, (BSP)	2, 3, 4(2x), 5, 6(2x), 7(2x), 10, 12, 18(4x)
ECxx2 + U	50 + 04	6761071	Cap kit ECxx2, B-side, (UNF)	2, 3, 4(2x), 5, 6(2x), 7(2x), 9, 10, 12, 18(4x)
A036 + EC2, ECS2, ECP2, ECSP2 + G	59 + 50 + 04	6763032	Cap kit A036, (BSP)	2, 3, 4(2x), 5, 6(2x), 7(2x), 9, 11, 12, 18(4x), 31, 32, 33
ECxx2 + G	50 + 04	393000K846	Seal kit (BSP)	3, 4(2x), 10, 12
ECxx2 + U	50 + 04	393000K871	Seal kit (UNF)	3, 4(2x), 9, 10, 12
A034	89A/89B	6761087	Blocking plug PS25	25 [13, 14, 15], 18(2x), 19
A036	59	393000K036	Spool stroke limiting kit	11, 31, 32, 33
ECxx2	50	-	Plug VST11/4EDCF	10
ECxx2/A036 + U	50/59 + 04	-	Plug 4HP5ON-S	9
A036 + G	59 + 04	-	Plug VST11/8EDCF	9
ECS2,ECSP2,ECH2,ECHL2+12+A	50+05+56	6763059	PS25 solenoid valve, 12VDC	16 [13, 14, 15], 18(2x), 19 No man. override.
ECS2,ECSP2,ECH2,ECHL2+24+A	50+05+56	6763060	PS25 solenoid valve, 24VDC	16 [13, 14, 15], 18(2x), 19 No man. override.
ECS2,ECSP2,ECH2,ECHL2+12+D	50+05+56	6763061	PS25 solenoid valve, 12VDC	16 [13, 14, 15], 18(2x), 19 No man. override.
ECS2,ECSP2,ECH2,ECHL2+24+D	50+05+56	6763062	PS25 solenoid valve, 24VDC	16 [13, 14, 15], 18(2x), 19 No man. override.
EC2, ECP2 + 12 + A	50+05+56	6761084	PS25MO solenoid valve, 12VDC	16 [13, 14, 15], 18(2x), 19 Man. override.
EC2, ECP2 + 24 + A	50+05+56	6761085	PS25MO solenoid valve, 24VDC	16 [13, 14, 15], 18(2x), 19 Man. override.
ECxx2	50	6760507	Seal kit PS25	13, 14, 15 (5 pcs in kit)
ECxx2 + 2,0	50+55A/55B	398000K603	Pilot orifice Ø2.0, marked 2	19 (5 pcs in kit)
ECxx2 + 1,5	50+55A/55B	6760325	Pilot orifice Ø1.5, marked 15	19 (5 pcs in kit)
ECxx2 + 1,3	50+55A/55B	6760806	Pilot orifice Ø1.3, marked 13	19 (5 pcs in kit)
ECxx2 + 1,2	50+55A/55B	398000K604	Pilot orifice Ø1.2, marked 12	19 (5 pcs in kit)
ECxx2 + 1,1	50+55A/55B	6760805	Pilot orifice Ø1.1, marked 11	19 (5 pcs in kit)
ECxx2 + 1,0	50+55A/55B	6760804	Pilot orifice Ø1.0, marked 10	19 (5 pcs in kit)
ECxx2 + 0,9	50+55A/55B	398000K602	Pilot orifice Ø0.9, marked 9	19 (5 pcs in kit)
ECxx2 + 0,8	50+55A/55B	6760326	Pilot orifice Ø0.8, marked 8	19 (5 pcs in kit)
ECxx2 + 0,7	50+55A/55B	6760803	Pilot orifice Ø0.7, marked 7	19 (5 pcs in kit)
ECxx2 + 0,6	50+55A/55B	398000K601	Pilot orifice Ø0.6, marked 6	19 (5 pcs in kit)