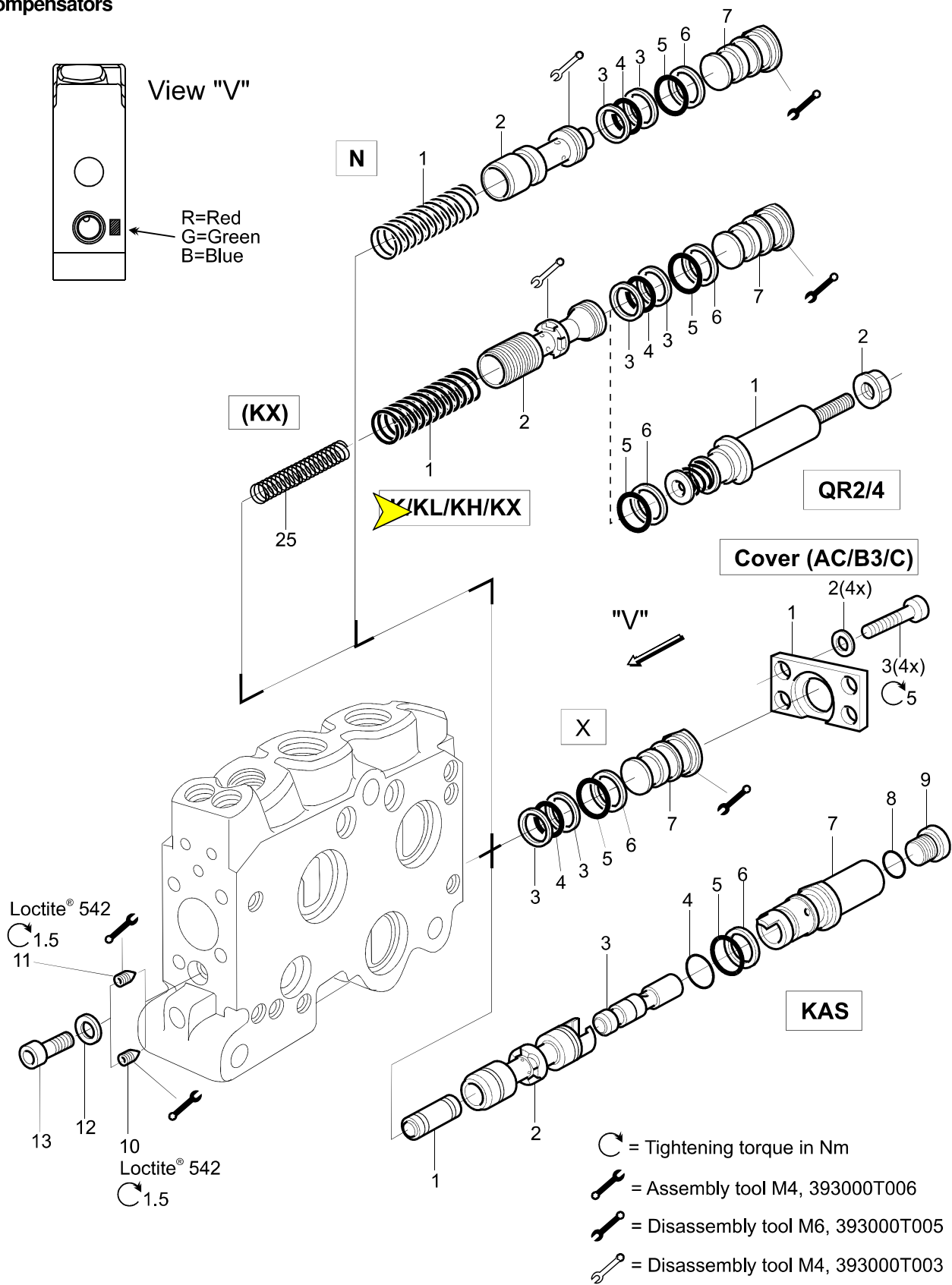


**K, KL, KX, KH, N, X, KAS**

**Compensators**



Code	Part#	Description	Remarks, Items
<b>K</b>	393000K169	Compensator kit, size <b>Blue</b>	1, 2, 7(3, 4, 5, 6), 12, 13
<b>K</b>	393000K469	Compensator kit, size <b>Green</b>	1, 2, 7(3, 4, 5, 6), 12, 13
<b>KL</b>	393000K209	Compensator kit, size <b>Blue</b>	1, 2, 7(3, 4, 5, 6), 12, 13
<b>KL</b>	393000K409	Compensator kit, size <b>Green</b>	1, 2, 7(3, 4, 5, 6), 12, 13
<b>KH</b>	393000K505	Compensator kit, size <b>Blue</b>	1, 2, 7(3, 4, 5, 6), 12, 13
<b>KH</b>	393000K506	Compensator kit, size <b>Green</b>	1, 2, 7(3, 4, 5, 6), 12, 13
<b>KX</b>	393000K616	Compensator kit, size <b>Blue</b>	1, 2, 7(3, 4, 5, 6), 12, 13, 25
<b>KX</b>	393000K617	Compensator kit, size <b>Green</b>	1, 2, 7(3, 4, 5, 6), 12, 13, 25
-	9128377708	Restrictor $\varnothing$ 0.8 (Recommended size)	10 (At K, KL, KH, KX, KAS)
-	01901167	Plug	11 (At N, X)
<b>N</b>	393000K170	Supply check valve kit, size <b>Blue</b>	1, 2, 7(3, 4, 5, 6), 11, 12, 13
<b>N</b>	393000K470	Supply check valve kit, size <b>Green</b>	1, 2, 7(3, 4, 5, 6), 11, 12, 13
<b>K/KL/KH/KX/N/X</b>	393000K811	Seal kit, K/KL/KH/KX/N/X	3(2x), 4, 5, 6
<b>KAS</b>	393000K865	Flow sharing compensator, size <b>Blue</b>	1 - 9, 12, 13
<b>KAS</b>	393000K866	Flow sharing compensator, size <b>Green</b>	1 - 9, 12, 13
<b>KAS</b>	393000K908	Seal kit KAS	4, 5, 6, 8, 12
<b>QR2/4, K</b>	393000K233	Flow reducing kit for K	1(2, 5, 6)
<b>QR2/4, KL</b>	393000K234	Flow reducing kit for KL	1(2, 5, 6)
-	393000K860	Seal kit, QR2/4	2, 5, 6
<b>X</b>	393000K171	Plug, X	7(3, 4, 5, 6)
<b>Cover</b>	393000K172	Cover (actuators AC/E/P, B3, C)	1, 2(4x), 3(4x)