

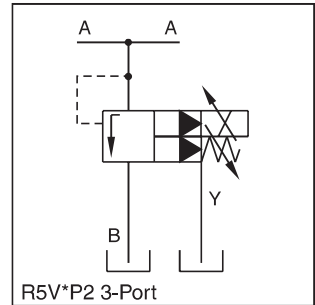
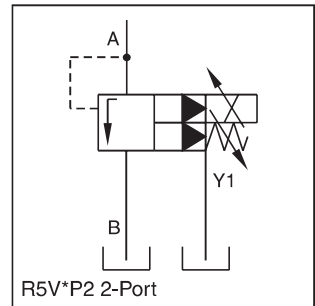
**General Description**

Series R5V\*P2 proportional pressure relief valves are based on the mechanical adjusted Series R5V. The additional proportional unit between the mechanical pilot valve and the main stage allows continuous pressure adjustment.

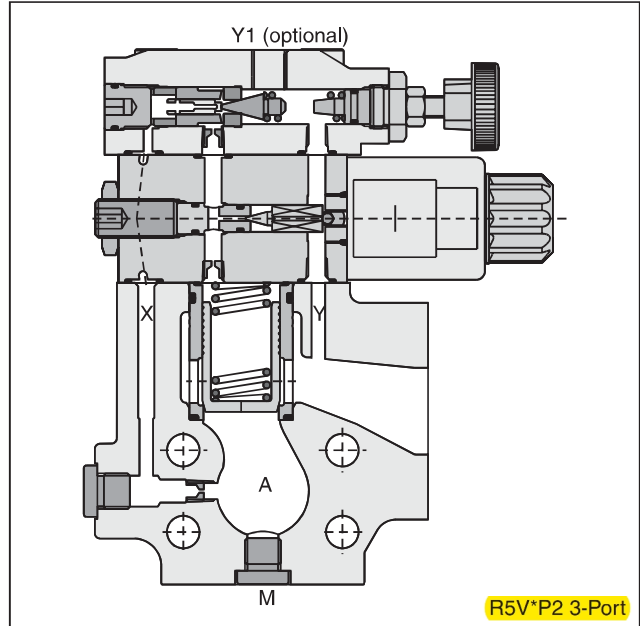
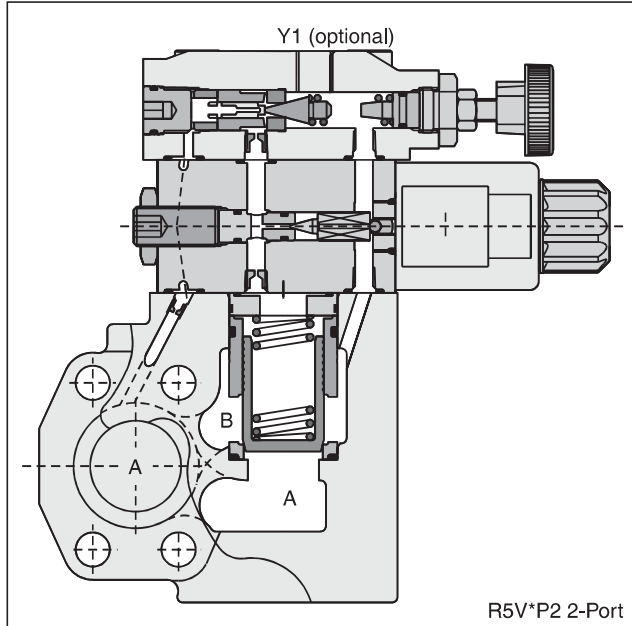
The optimum performance can be achieved in combination with the digital amplifier module PCD00A-400.

**Features**

- Pilot operated with manual adjustment.
- Continuous adjustment by proportional solenoid.
- R5V with 2-port body:
  - 3 sizes (SAE 3/4", 1", 1-1/4")
  - SAE 61 flange
- **R5V with 3-port body:**
  - 4 sizes (SAE 3/4", **1"**, 1-1/4", 1-1/2")
  - SAE 61 and SAE 62 flange
- 3 pressure ranges.
- With mechanical maximum pressure adjustment.



**B**



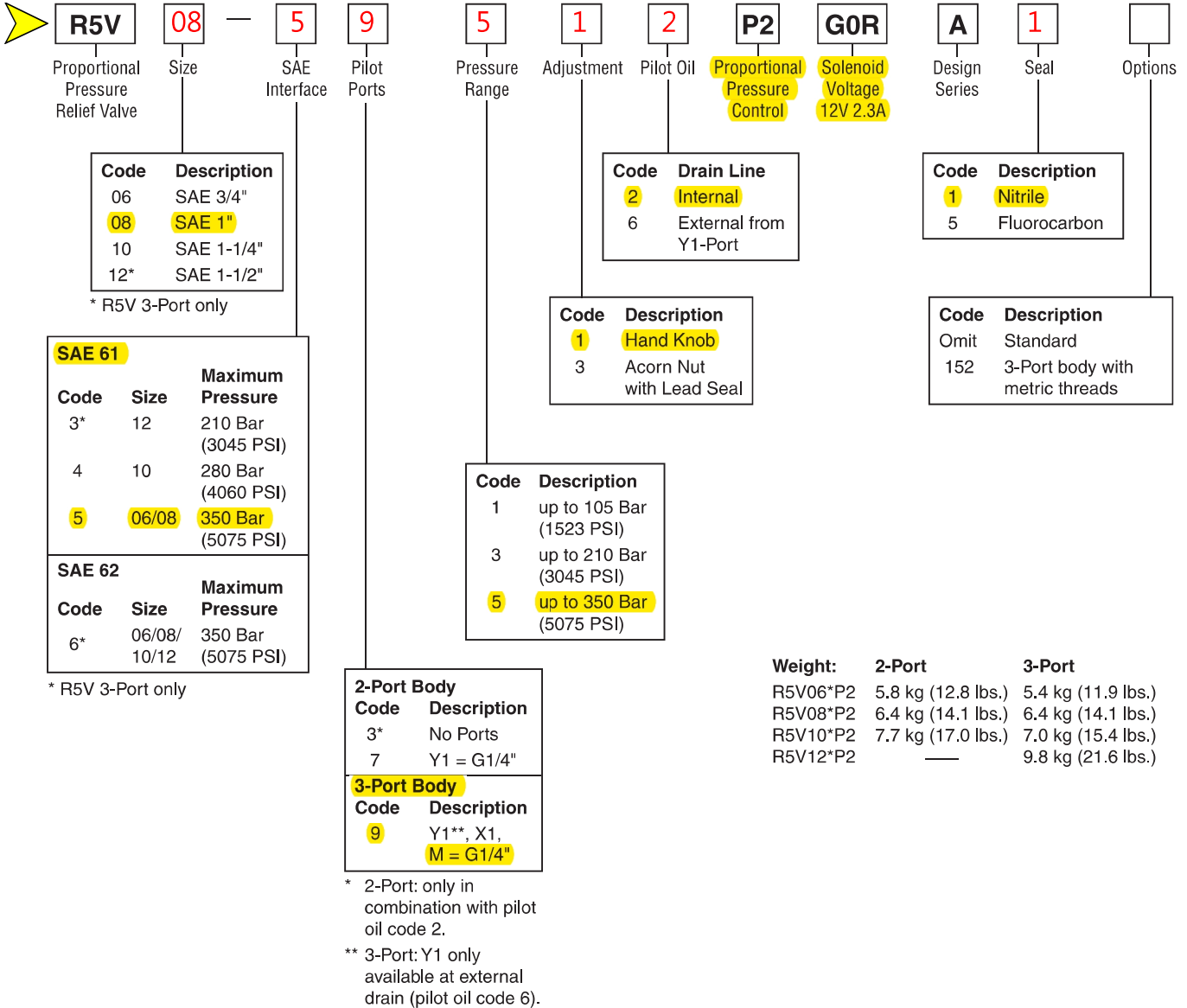
**Specifications**

**Proportional Pressure Relief Valves  
Series R5V\*P2 (Flange Mounted)**

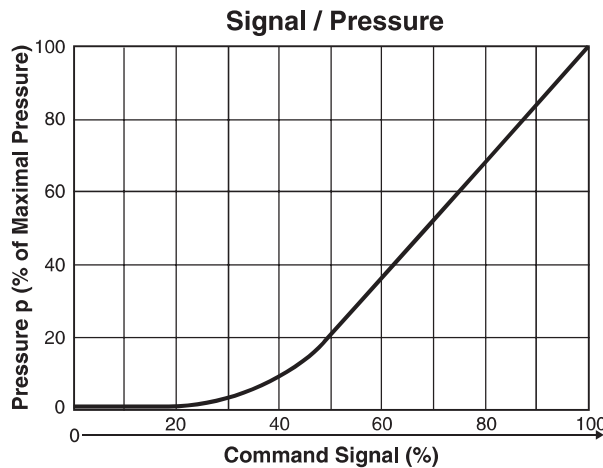
**B**

General					
<b>Size</b>		<b>06 (3/4")</b>	<b>08 (1")</b>	<b>10 (1-1/4")</b>	<b>12 (1-1/2")</b>
<b>Mounting</b>	Flanged according to SAE 61				
<b>Mounting Position</b>	Unrestricted				
<b>Ambient Temperature Range</b>	-20°C to +50°C (-4°F to +122°F)				
Hydraulic					
<b>Maximum Operating Pressure</b>	<b>SAE 61 Ports A, B</b>	350 Bar (5075 PSI)	350 Bar (5075 PSI)	280 Bar (4060 PSI)	210 Bar (3045 PSI)
	<b>SAE 61 Port Y1</b>	30 Bar (435 PSI)	30 Bar (435 PSI)	30 Bar (435 PSI)	30 Bar (435 PSI)
	<b>SAE 62 Ports A, B</b>	350 Bar (5075 PSI)	350 Bar (5075 PSI)	350 Bar (5075 PSI)	350 Bar (5075 PSI)
	<b>SAE 62 Port Y1</b>	30 Bar (435 PSI)	30 Bar (435 PSI)	30 Bar (435 PSI)	30 Bar (435 PSI)
<b>Pressure Range</b>	105 Bar (1523 PSI), 210 Bar (3045 PSI), 350 Bar (5075 PSI)				
<b>Nominal Flow</b>	90 LPM (23.8 GPM)	300 LPM (79.4 GPM)	600 LPM (158.7 GPM)	600 LPM (158.7 GPM)	
<b>Fluid</b>	Hydraulic oil as per DIN 51524...51535, other on request				
<b>Fluid Temperature</b>	-20°C to +80°C (-4°F to +176°F)				
<b>Viscosity</b>	<b>Permitted</b>	10 to 650 cSt / mm <sup>2</sup> /s (46 to 3013 SSU)			
	<b>Recommended</b>	30 to 80 cSt / mm <sup>2</sup> /s (139 to 371 SSU)			
<b>Filtration</b>	ISO Class 4406 (1999) 18/16/13 (acc. NAS 1638: 7)				
Electrical (Proportional Solenoid)					
<b>Duty Ratio</b>	100% ED; CAUTION: Coil temperature up to 150°C (302°F) possible				
<b>Nominal Voltage</b>	12 VDC				
<b>Max. Current</b>	2.3 amps				
<b>Coil Resistance</b>	4 Ohm at 20°C (68°F)				
<b>Solenoid Connection</b>	Connector as per EN175301-803				
<b>Protection Class</b>	IP65 in accordance with EN60529 (plugged and mounted)				
<b>Power Amplifier</b>	PCD00A-400				

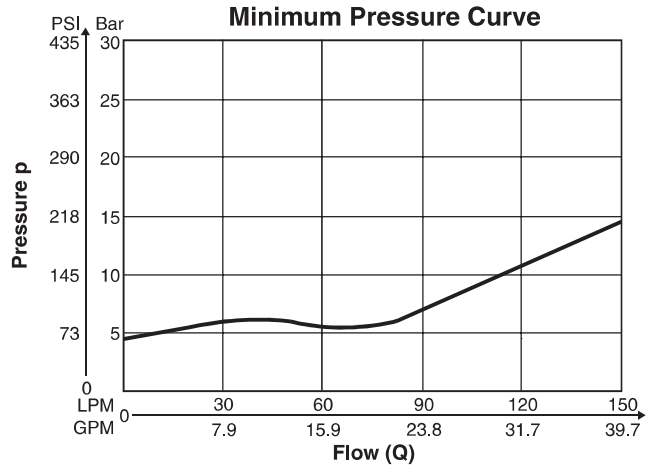
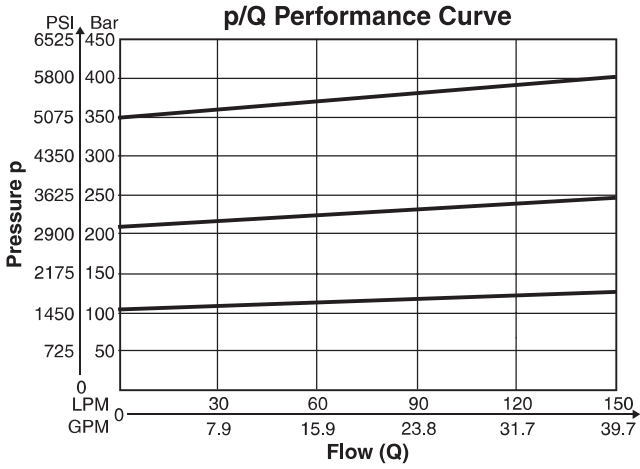
**Ordering Information**



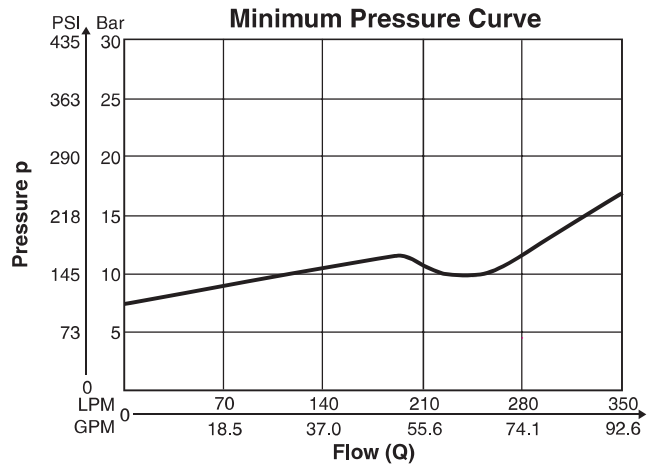
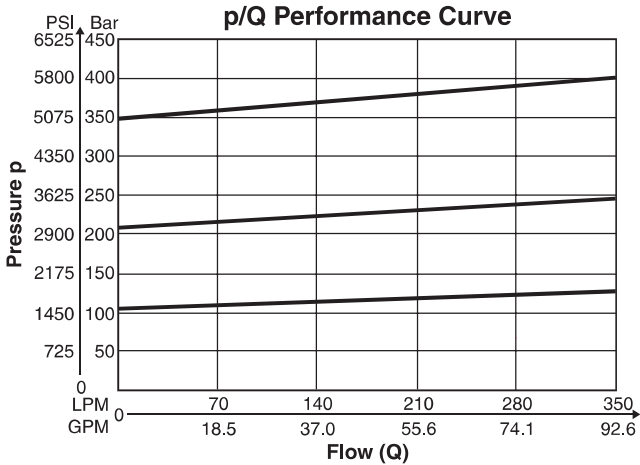
**Performance Curve**



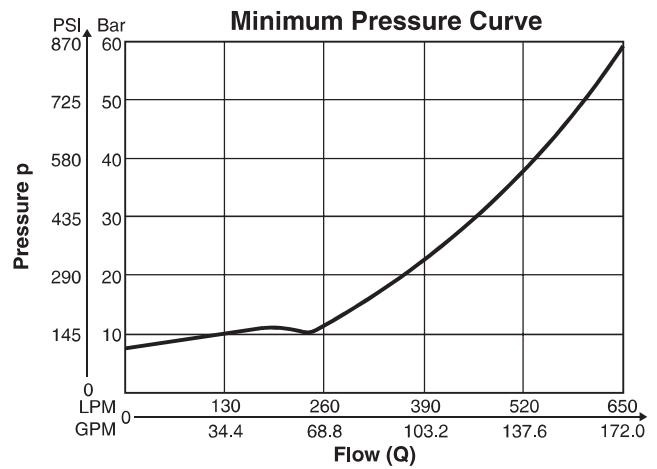
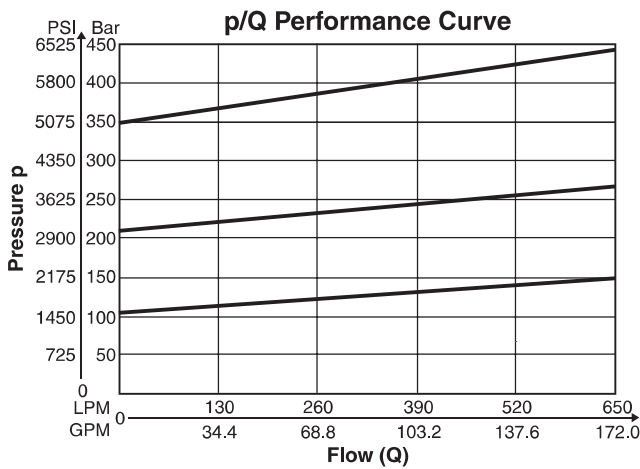
**R5V06\*P2 1)**



**R5V08\*P2 1)**



**R5V10\*P2 1)**



1) The performance curves are measured with external drain.  
 For internal drain, the tank pressure has to be added to the curve.

**Dimensions**

**Proportional Pressure Relief Valves  
Series R5V\*P2 (Flange Mounted)**

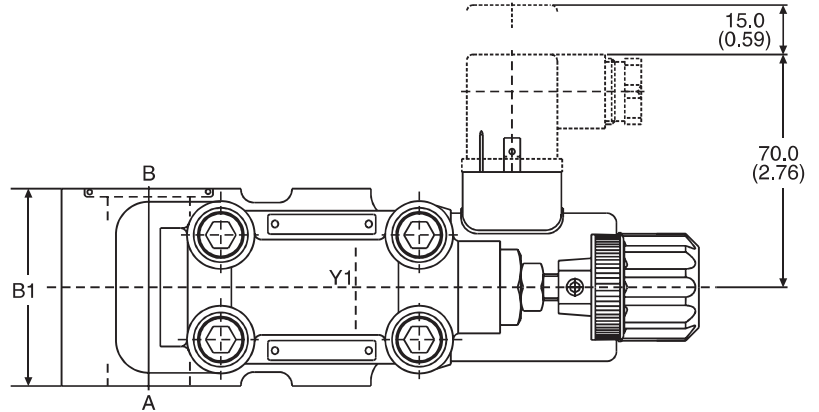
Inch equivalents for millimeter dimensions are shown in (\*\*)

**2-Port**

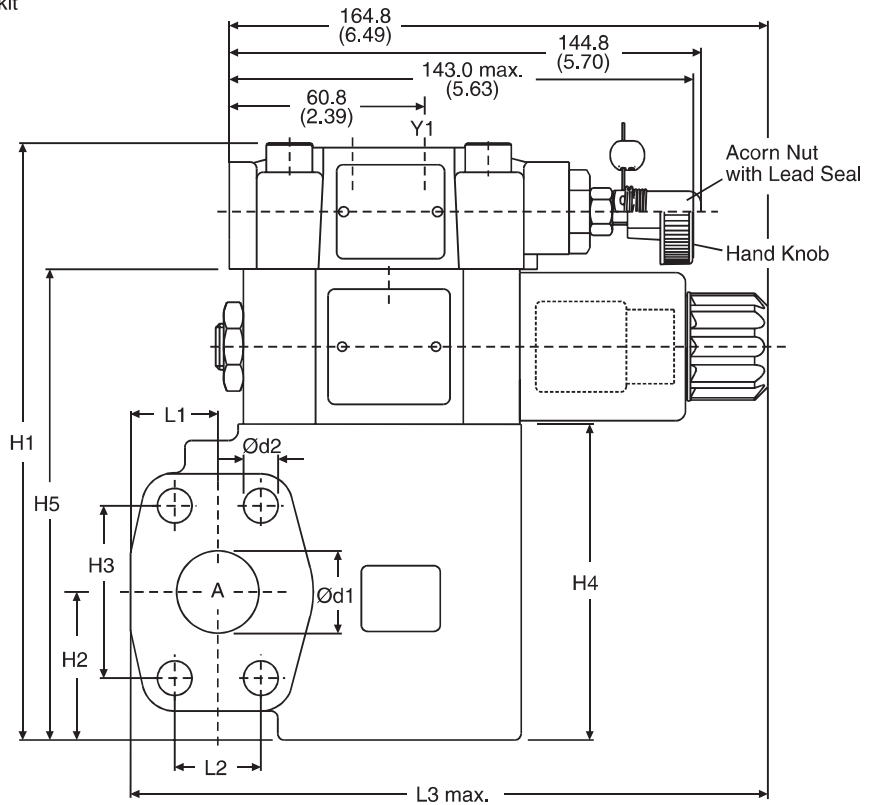
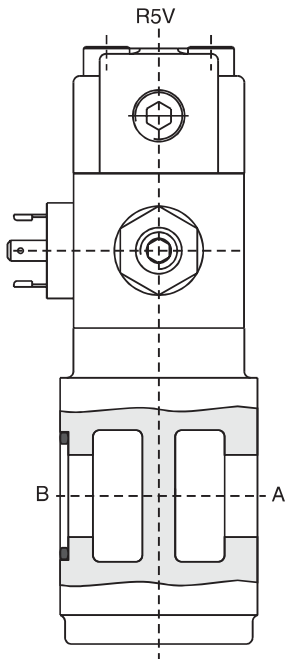


Seal Kits		
Size	Nitrile	Fluorocarbon
06	S16-91850-0	S16-91850-5
08	S16-91851-0	S16-91851-5
10	S16-91852-0	S16-91852-5
Prop. Section P2*	S26-58473-0	S26-58473-5

\* Please combine seal kit of one size with seal kit of Prop. Section P2 for complete seal kit.



**B**



**SAE 61**

Size	B1	H1	H2	H3	H4	H5	L1	L2	L3	d1	d2
06	60.0 (2.36)	175.0 (6.89)	37.0 (1.46)	47.6 (1.87)	90.0 (3.54)	137.0 (5.39)	24.6 (0.97)	22.2 (0.87)	174.0 (6.85)	19.0 (0.75)	10.5 (0.41)
08	60.0 (2.36)	181.0 (7.13)	45.0 (1.77)	52.4 (2.06)	96.0 (3.78)	143.0 (5.63)	26.5 (1.04)	26.2 (1.03)	193.6 (7.62)	25.0 (0.98)	10.5 (0.41)
10	75.0 (2.95)	194.0 (7.64)	48.0 (1.89)	58.7 (2.31)	109.0 (4.29)	156.0 (6.14)	34.0 (1.34)	30.2 (1.19)	201.0 (7.91)	32.0 (1.26)	12.5 (0.49)

Port	Function	Port size		
		R5V06	R5V08	R5V10
A	Pressure	3/4" SAE 61	1" SAE 61	1-1/4" SAE 61
B	Tank	3/4" SAE 61	1" SAE 61	1-1/4" SAE 61
Y1	External Drain	G1/4"		

R5V\_P2.indd, ddp

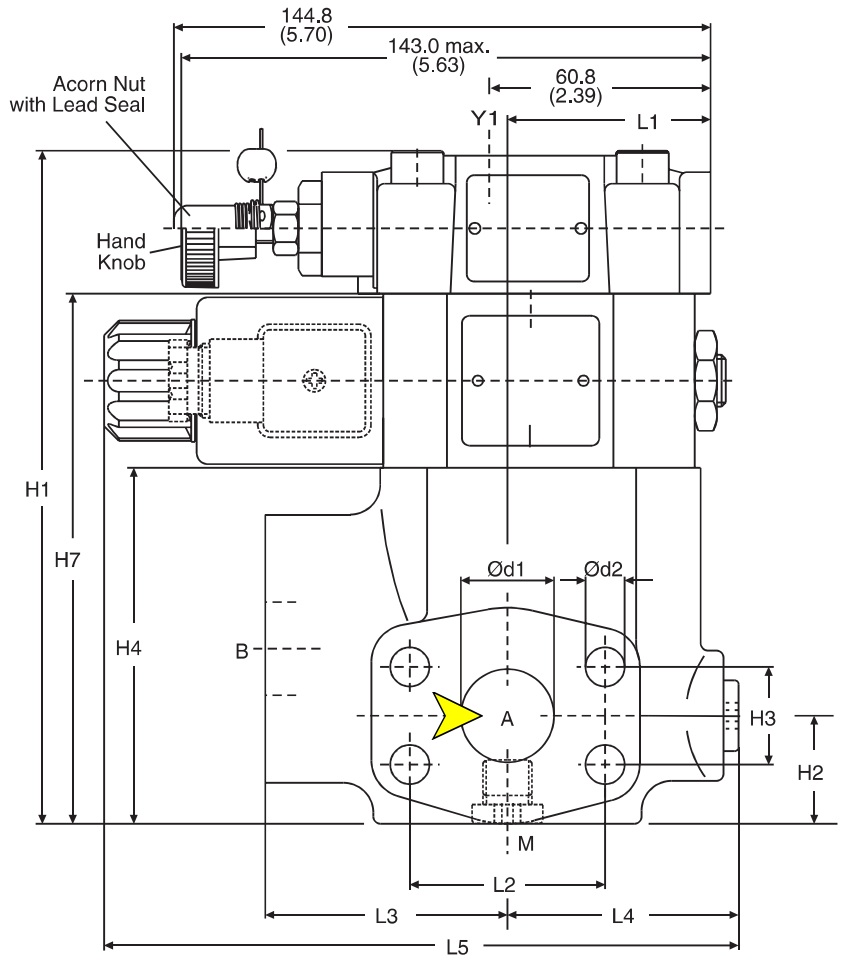
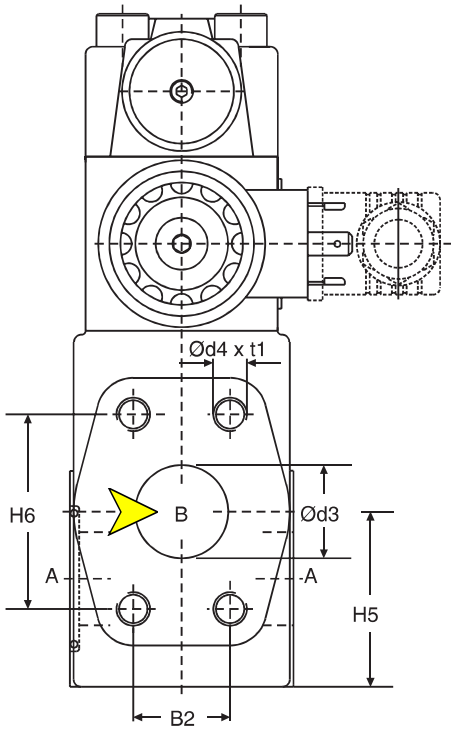
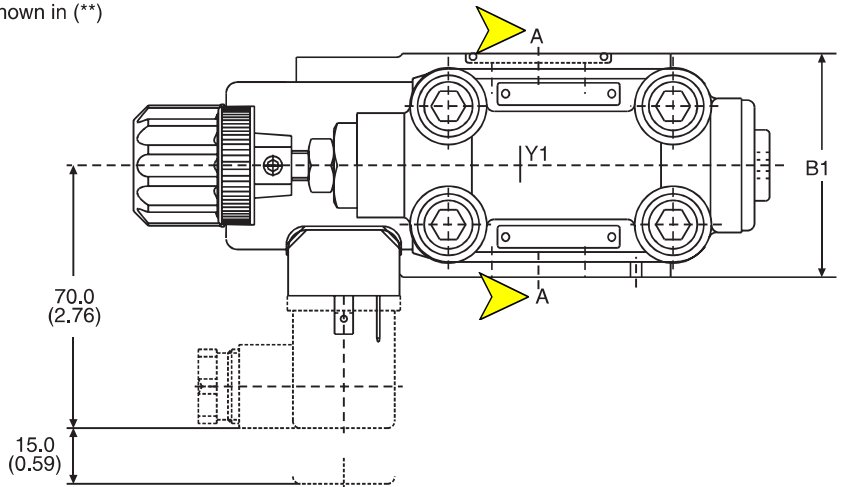


Inch equivalents for millimeter dimensions are shown in (\*\*)

**3-Port**



**B**



Inch equivalents for millimeter dimensions are shown in (\*\*)

**3-Port**

**SAE 61**

Size	B1	B2	H1	H2	H3	H4	H5	H6	H7	L1	L2	L3	L4	L5	d1	d2	d3	d4 (option 152)	t1
06	60.0 (2.36)	22.2 (0.87)	166.0 (6.54)	28.0 (1.10)	22.2 (0.87)	81.0 (3.19)	41.6 (1.64)	47.6 (1.87)	128.0 (5.04)	50.3 (1.98)	47.6 (1.87)	63.0 (2.48)	56.0 (2.20)	174.6 (6.87)	19.0 (0.75)	10.5 (0.41)	19.0 (0.75)	3/8"-16 UNC (M10)	20.0 (0.79)
08	60.0 (2.36)	26.2 (1.03)	188.0 (7.40)	29.0 (1.14)	26.2 (1.03)	103.0 (4.06)	47.0 (1.85)	52.4 (2.06)	150.0 (5.91)	55.8 (2.20)	52.4 (2.06)	65.0 (2.56)	58.0 (2.28)	177.0 (6.97)	25.0 (0.98)	10.5 (0.41)	25.0 (0.98)	3/8"-16 UNC (M10)	23.0 (0.91)
10	75.0 (2.95)	30.2 (1.19)	198.0 (7.80)	34.5 (1.36)	30.2 (1.19)	113.0 (4.45)	64.0 (2.52)	58.7 (2.31)	160.0 (6.30)	57.8 (2.28)	58.7 (2.31)	61.0 (2.40)	62.0 (2.44)	179.1 (7.05)	32.0 (1.26)	12.5 (0.49)	32.0 (1.26)	7/16"-14 UNC (M12)	22.0 (0.87)
12	80.0 (3.15)	35.7 (1.41)	225.0 (8.86)	34.0 (1.34)	35.7 (1.41)	140.0 (5.51)	73.0 (2.87)	69.8 (2.75)	187.0 (7.36)	37.3 (1.47)	69.8 (2.75)	92.5 (3.64)	55.2 (2.17)	186.8 (7.35)	38.0 (1.50)	13.5 (0.53)	38.0 (1.50)	1/2"-13 UNC (M12)	27.0 (1.06)



**SAE 62**

Size	B1	B2	H1	H2	H3	H4	H5	H6	L1	L2	L3	L4	L5	d1	d2	d3	d4 (option 152)	t1
06	60.0 (2.36)	23.8 (0.94)	119.0 (4.69)	28.0 (1.10)	23.8 (0.94)	81.0 (3.19)	41.6 (1.64)	50.8 (2.00)	50.3 (1.98)	50.8 (2.00)	63.0 (2.48)	56.0 (2.20)	152.0 (5.98)	19.0 (0.75)	10.5 (0.41)	19.0 (0.75)	3/8"-16 UNC (M10)	20.0 (0.79)
08	60.0 (2.36)	27.8 (1.09)	141.0 (5.55)	29.0 (1.14)	27.8 (1.09)	103.0 (4.06)	47.0 (1.85)	57.2 (2.25)	55.8 (2.20)	57.2 (2.25)	65.0 (2.56)	58.0 (2.28)	149.0 (5.87)	25.0 (0.98)	12.5 (0.49)	25.0 (0.98)	7/16"-14 UNC (M12)	22.0 (0.87)
10	75.0 (2.95)	31.8 (1.25)	151.0 (5.94)	34.5 (1.36)	31.8 (1.25)	113.0 (4.45)	64.0 (2.52)	66.7 (2.63)	57.8 (2.28)	66.7 (2.63)	61.0 (2.40)	62.0 (2.44)	150.5 (5.93)	32.0 (1.26)	13.5 (0.53)	32.0 (1.26)	1/2"-13 UNC (M12)	24.0 (0.94)
12	80.0 (3.15)	36.5 (1.44)	178.0 (7.01)	34.0 (1.34)	36.5 (1.44)	140.0 (5.51)	73.0 (2.87)	79.4 (3.13)	37.3 (1.47)	79.4 (3.13)	92.5 (3.64)	55.2 (2.17)	171.2 (6.74)	38.0 (1.50)	17.0 (0.67)	38.0 (1.50)	5/8"-11 UNC (M16)	33.0 (1.30)

Port	Function	Port Size			
		R5V06	R5V08	R5V10	R5V12
A (2)	Pressure	3/4" SAE61/62	1" SAE61/62	1-1/4" SAE61/62	1-1/2" SAE61/62
B	Tank	3/4" SAE61/62	1" SAE61/62	1-1/4" SAE61/62	1-1/2" SAE61/62
Y1	External Drain	G1/4"			
M	Pressure Gauge	G1/4"			

Seal Kits		
Size	Nitrile	Fluorocarbon
06	S16-91850-0	S16-91850-5
08	S16-91851-0	S16-91851-5
10	S16-91852-0	S16-91852-5
12	S26-27421-0	S26-27421-5
Prop. Section P2*	S26-58473-0	S26-58473-5

\* Please combine seal kit of one size with seal kit of Prop. Section P2 for complete seal kit.