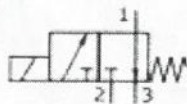


PL: 05050339

EJ08F WALVOIL



Product Description

3-ways, 2 positions valve.

Spool execution, direct operation, solenoid control.

Max flow	Up to	12 l/min
Max pressure		50 bar

Product Code

Code	Description
0EJ08002029	VALVOLA EJ08F/20NB SAT/CN ZINC.
0EJ08002041	VALVOLA EJ08F/20NB SAT/CN + BT 26VDC
0EJ08002043	VALVOLA EJ08F/20TB SAT/CN
0EJ08002044	VALVOLA EJ08F/20NB SAT/CN + BT 12VDC
0EJ08101102	VALVOLA EJ08F/20NB/B11
0EJ08101104	VALVOLA EJ08F/20TB/B11 + BT/CS 12VDC
0EJ08101111	VALVOLA EJ08F/20NB/C11 + BT/CS 12VDC



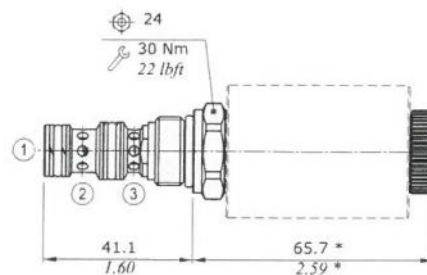
EJ08F type directional solenoid valve - 3 ways / 2 positions

- Direct acting
- Spool type
- Suitable for low pressure: 50 bar (725 psi)

Technical specifications and diagrams are measured with mineral oil of 46 cSt viscosity at 40°C (104°F) temperature.

		EJ08F
Nominal flow		12 l/min (3.17 US gpm)
Max. pressure		50 bar (725 psi)
Oil leakage	at 50 bar (725 psi)	5 cm ³ /min (0.30 in ³ /min)
Fluid		mineral based oil
Viscosity		10-200 cSt
Max level of contamination		18/16/13 ISO4406
Fluid temperature	with NBR seals with FPM seals	from -20°C (-4°F) to 80°C (176°F) from -20°C (-4°F) to 100°C (212°F)
Environmental temp. for working conditions		from -20°C (-4°F) to 50°C (122°F)
Cavity		SAE 08/3
Coil type*		BT
Nominal voltages		12 VDC - 24 VDC ± 10%
Power rating		21 W
Weight		0.175 kg (0.38 lb)

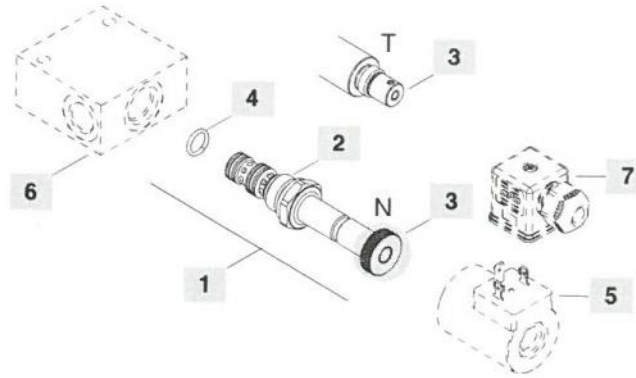
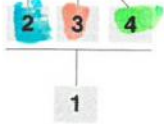
NOTE - For different conditions, please contact Walvoil Sales Dpt. - *For coils further features see from page 206.



NOTE (*): dimension for configuration **EJ08F/20NB**, for dimensions with different type of emergency see page 213.

Ordering codes and description composition

EJ08F/20 NB



1 Cartridges

TYPE	CODE	DESCRIPTION
SAE cavity 08/3		
EJ08F/20NB	0EJ08002029	Without emergency
EJ08F/20TB	0EJ08002043	Screw type emergency

2 Spool

TYPE	DESCRIPTION
2	Spool 2

3 Emergency

TYPE	DESCRIPTION
N	Without emergency
T	Screw type

4 Seals

TYPE	DESCRIPTION
B	NBR (Buna) o-ring seals, std configuration
V	FPM (Viton) o-ring seals, contact Sales Dept.

5 Coils

TYPE	CODE	DESCRIPTION
BT 12VDC	4SL3000120	12VDC-ISO4400 coil

For complete coils list see from [page 206](#)

6 Valve body

TYPE	CODE	DESCRIPTION
SAE 08/3-G 3/8	3CC0830C11	Aluminium body for cavity 08 valve, G3/8 std thread

For steel bodies or different threading see from [page 215](#)

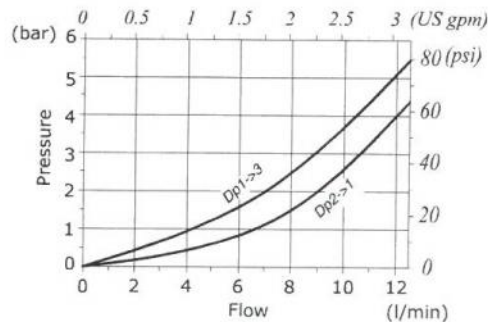
7 Connector

TYPE	CODE	DESCRIPTION
ISO4400	4CN1009995	Connector

For complete connectors list see from [page 206](#)

Rating diagrams

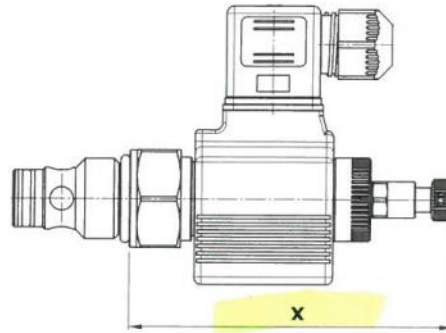
Pressure drop vs. flow



Types and ordering codes

Valve type	Coil	Voltage	Connector					
			ISO4400	Deutsch DT	AMP JPT	Packard Weather-pack	Packard Metri-pack	Flying leads
Directional solenoid valves								
EA08A	BE	12 VDC	4SL1000120A	4SL1000123A ⁽⁶⁾ 4SL1000140 ⁽³⁻⁶⁾ 4SL1000124 ⁽²⁾	-	-	-	4SL1000122A
		24 VDC	4SL1000240A 4SL1030240 ⁽¹⁾	4SL1002401 ⁽⁶⁾	4SL1000125A ⁽³⁻⁵⁾	-	-	-
		110 VDC	4SL1011100 4SL1031100 ⁽¹⁾	-	-	-	-	-
		220 VDC	4SL1022200 4SL1032200 ⁽¹⁾	-	-	-	-	-
EA08B EW08A EJ08F EJ08G	BT	10 VDC	4SL3000100	-	-	-	-	-
		12 VDC	4SL3000120 4SL3000126 ⁽⁴⁾	4SL3000130 ⁽⁶⁾ 4SL3000134 ⁽³⁻⁶⁾ 4SL3000128 ⁽²⁾	4SL3000122 ⁽⁵⁾ 4SL3001200 ⁽³⁻⁵⁾	4SL3000124 ⁽²⁾	4SL3000127 ⁽²⁾	4SL300012C
		24 VDC	4SL3000240 4SL3030240 ⁽¹⁾	4SL3000249 ⁽⁶⁾ 4SL300024C ⁽³⁻⁶⁾	4SL3000248 ⁽⁵⁾	-	-	4SL3000246
		26 VDC	4SL3000260	-	-	-	-	-
		48 VDC	4SL3000480 4SL3030480 ⁽¹⁾	-	-	-	-	-
		110 VDC	4SL3001100 4SL3031100 ⁽¹⁾	-	-	-	-	-
EW10M	BH	12 VDC	4SLD001200A	4SLD001201A ⁽⁶⁾	4SLD001207A ⁽⁶⁾	-	-	4SLD001203A
		24 VDC	4SLD002400A	4SLD002401A ⁽⁶⁾	4SLD002407A ⁽⁶⁾	-	-	4SLD002403A
		10 VDC	4SLE001000A	-	-	-	-	-
EE08A EC..M EF..M EJ8CA EJ08M ER08M ET08M	BER	12 VDC	4SLE001200A 4SLE001217A ⁽³⁾	4SLE001201A ⁽⁵⁾ 4SLE001209A ⁽³⁻⁵⁾ 4SLE001202A ⁽⁶⁾ 4SLE001216A ⁽³⁻⁶⁾ 4SLE001206A ⁽²⁾	4SLE001203A ⁽⁵⁾ 4SLE001211A ⁽³⁻⁵⁾	4SLE001210A ⁽²⁾	4SLE001214 ⁽²⁾	4SLE001207A
		24 VDC	4SLE002400A 4SLE002408A ⁽³⁾ 4SLE302400A ⁽¹⁾	4SLE002401A ⁽⁵⁾ 4SLE002407A ⁽³⁻⁵⁾ 4SLE002402A ⁽⁶⁾	4SLE002403A ⁽⁵⁾	-	-	4SLE002404A
		48 VDC	4SLE004800A 4SLE304800A ⁽¹⁾	-	-	-	-	-
		110 VDC	4SLE011000A 4SLE311000A ⁽¹⁾	-	-	-	-	-
		220 VDC	4SLE022000A 4SLE322000A ⁽¹⁾	-	-	-	-	-
		10,5 VDC	4SL6000100	-	-	-	-	-
EE10A EW10A EW10B	BIN19	12 VDC	4SL6000121	-	-	-	-	-
		24 VDC	4SL6000240	-	-	-	-	-
		12 VDC	4SL6000128	-	-	-	-	-
EE12A EW12A EW12C EJ12A ET12A	BIN22	24 VDC	4SL6000245	-	-	-	-	-
		10,5 VDC	4SL8000110	-	-	-	-	-
EJ10M EL08A ER10M ET10M	BC	12 VDC	4SL8000120	4SL800012BA ⁽⁶⁾ 4SL8001201A ⁽⁶⁻³⁾	4SL8000127 ⁽⁵⁾ 4SL8000130 ⁽⁵⁻³⁾	-	-	4SL800012A
		24 VDC	4SL8000240 4SL8030240 ⁽¹⁾	4SL8000243 ⁽⁶⁾	4SL8000241 ⁽⁵⁾	-	-	4SL8000242
		26 VDC	4SL8000260	-	-	-	-	-
		48 VDC	4SL8030480 ⁽¹⁾	-	-	-	-	-
		110 VDC	4SL8031100 ⁽¹⁾	-	-	-	-	-
		220 VDC	4SL8032200A ⁽¹⁾	-	-	-	-	-
EL10C	BQ16	12 VDC	4SL8000121	4SL8000128 ⁽⁵⁾	-	-	4SL8000124 ⁽²⁾	4SL8000125
		24 VDC	4SL8002400	4SL8000245 ⁽⁵⁾	-	-	-	-

Types and dimensions



Valve type	Cavity	Dimension "X"															
		N / O without emergency		T screw type		P push button		D push type with detent		F pull button		Q pull type with detent		E with pull/push- button		V handknob	
		mm	in	mm	in	mm	in	mm	in	mm	in	mm	in	mm	in	mm	in
MC..X	10/2	86	3.39	105	4.13	-	-	-	-	-	-	-	-	-	-	-	-
MP..X	10/2	86	3.39	105	4.13	-	-	-	-	-	-	-	-	-	-	-	-
	12/2	102	4.02	121	4.76	-	-	-	-	-	-	-	-	-	-	-	-
EE..X	10/2	92.4	3.64	-	-	-	-	-	-	-	-	-	-	-	-	122	4.80
	12/2	94.9	3.74	-	-	-	-	-	-	-	-	-	-	-	-	124.5	4.90
EC..T	08/2	83	3.27	97.5	3.84	-	-	-	-	-	-	103.8	4.09	-	-	-	-
	10/2	83	3.27	97.5	3.84	-	-	-	-	-	-	103.8	4.09	-	-	-	-
	12/2	82.5	3.25	97	3.82	-	-	-	-	-	-	103.3	4.07	-	-	-	-
	16/2	81	3.19	95.5	3.76	-	-	-	-	-	-	101.8	4.01	-	-	-	-
PU..X	08/2	94	3.70	108	4.25	-	-	-	-	-	-	-	-	-	-	142	5.59
	10/2	96.4	3.79	110.4	4.35	-	-	-	-	-	-	-	-	-	-	144.4	5.69
	12/2	97.4	3.83	111.4	4.50	-	-	-	-	-	-	-	-	-	-	145.4	5.72
	16/2	121.4	4.78	135.4	5.33	-	-	-	-	-	-	-	-	-	-	169.4	6.67
PP..X	08/3	94	3.70	108	4.25	-	-	-	-	-	-	-	-	-	-	142	5.59
	10/3	96.4	3.79	110.4	4.35	-	-	-	-	-	-	-	-	-	-	144.1	5.67
	12/3	97.4	3.83	111.4	4.50	-	-	-	-	-	-	-	-	-	-	145.1	5.71
	16/3	121.4	4.78	135.4	5.33	-	-	-	-	-	-	-	-	-	-	169.4	6.67
EA..A/1	08/2	60	2.36	79.3	3.12	-	-	-	-	-	-	-	-	-	-	-	-
EA..A/2		59	2.32	79	3.11	-	-	-	-	-	-	-	-	-	-	-	-
EA..B/1		70.9	2.79	90.3	3.56	-	-	-	-	-	-	-	-	-	-	-	-
EA..B/2		65.5	2.58	90.5	3.56	-	-	-	-	-	-	-	-	-	-	-	-
EE..A/1	08/2	76	2.99	-	-	-	-	-	-	-	-	-	-	-	-	-	-
EE..A/2		76	2.99	-	-	-	-	-	-	-	-	-	-	-	-	-	-
EE..A/1	10/2	-	-	-	-	90.3	3.56	-	-	-	-	-	-	-	-	-	-
EE..A/2		-	-	-	-	90.3	3.56	-	-	-	-	-	-	-	-	-	-
EE..A/1	12/2	-	-	-	-	102	4.02	-	-	-	-	-	-	-	-	-	-
EE..A/2		-	-	-	-	90.3	3.56	-	-	-	-	-	-	-	-	-	-
EC..M/1	08/2	67.2	2.64	90.1	3.55	90.1	3.55	92.8	3.65	-	-	-	-	-	-	-	-
EF..M/1		66.9	2.63	89.8	3.54	89.8	3.54	92.5	3.64	-	-	-	-	-	-	-	-
EH..M/1		61.1	2.40	84	3.31	84	3.31	86.8	3.42	-	-	-	-	-	-	-	-
EH..M/1		61.2	2.40	84.1	3.31	84.1	3.31	86.9	3.42	-	-	-	-	-	-	-	-
EC..M/2	10/2	63.3	2.49	77.8	3.06	-	-	-	-	91.3	3.59	83.8	3.30	-	-	-	-
EF..M/2		63	2.48	77.5	3.05	-	-	-	-	91	3.58	83.5	3.29	-	-	-	-
EH..M/2		57.2	2.25	71.7	2.82	-	-	-	-	85.2	3.35	77.7	3.06	-	-	-	-
EH..M/2		57.3	2.26	71.8	2.83	-	-	-	-	85.3	3.36	77.8	3.06	-	-	-	-
EW08A/1	08/2	65.7	2.59	73.5	2.89	-	-	-	-	-	-	-	-	-	-	-	-
EW08A/2	08/2	70.9	2.79	90.3	3.56	87.2	3.43	-	-	-	-	-	-	-	-	-	-
EW10B/1	10/2	99.8	3.93	-	-	-	-	-	-	-	-	-	-	-	-	-	-
EW10A/2	10/2	-	-	-	-	83.3	3.28	-	-	-	-	-	-	-	-	-	-

Types and dimensions

Valve type	Cavity	Dimension "X"															
		N / O without emergency		T screw type		P push button		D push type with detent		F pull button		Q pull type with detent		E with pull/push- button		V handknob	
		mm	in	mm	in	mm	in	mm	in	mm	in	mm	in	mm	in	mm	in
EW12B/1	12/2	102.8	4.05	-	-	-	-	-	-	-	-	-	-	-	-	-	-
EW12C/2	12/2	-	-	-	-	98.7	3.89	-	-	-	-	-	-	-	-	-	-
EW08M/1	08/2	60.1	2.37	77	3.03	-	-	-	-	88.1	3.47	81	3.19	-	-	-	-
EW08M/2	08/2	62.5	2.46	85.4	3.36	85.4	3.36	88.1	3.47	-	-	-	-	-	-	-	-
EW10M/2	10/2	81.3	3.20	95.3	3.75	104.2	4.10	106.3	4.19	-	-	-	-	-	-	-	-
EJ08F	08/3	65.7	2.59	73.5	2.89	-	-	-	-	-	-	-	-	-	-	-	-
EJ08G	08/3	65.7	2.59	73.5	2.89	-	-	-	-	-	-	-	-	-	-	-	-
EJ..M	08/3	56.1	2.21	70.6	2.78	-	-	-	-	84.1	3.31	77	3.03	-	-	-	-
	10/3	68	2.68	82.5	3.25	-	-	-	-	96	3.78	88.9	3.50	-	-	-	-
EL08A	08/3	94.9	3.74	-	-	96	3.78	-	-	-	-	-	-	-	-	-	-
EL10C	10/3	86.7	3.41	-	-	-	-	-	-	-	-	-	-	-	-	-	-
	08/4	75	2.95	100	3.94	-	-	-	-	115.5	4.55	95.8	3.77	-	-	-	-
ER..M	10/4	89	3.50	110.5	4.35	-	-	-	-	129.5	5.10	110	4.35	-	-	-	-
	12/4	85.5	3.37	-	-	-	-	-	-	-	-	-	-	-	-	-	-
ET..M	08/4	120	4.72	-	-	121	4.76	165	6.50	-	-	-	-	165.6	6.52	-	-
	10/4	148.5	5.85	-	-	149.5	5.89	190.9	7.52	-	-	-	-	191.5	7.54	-	-
	12/4	156	6.14	-	-	156	6.14	-	-	-	-	-	-	-	-	-	-

