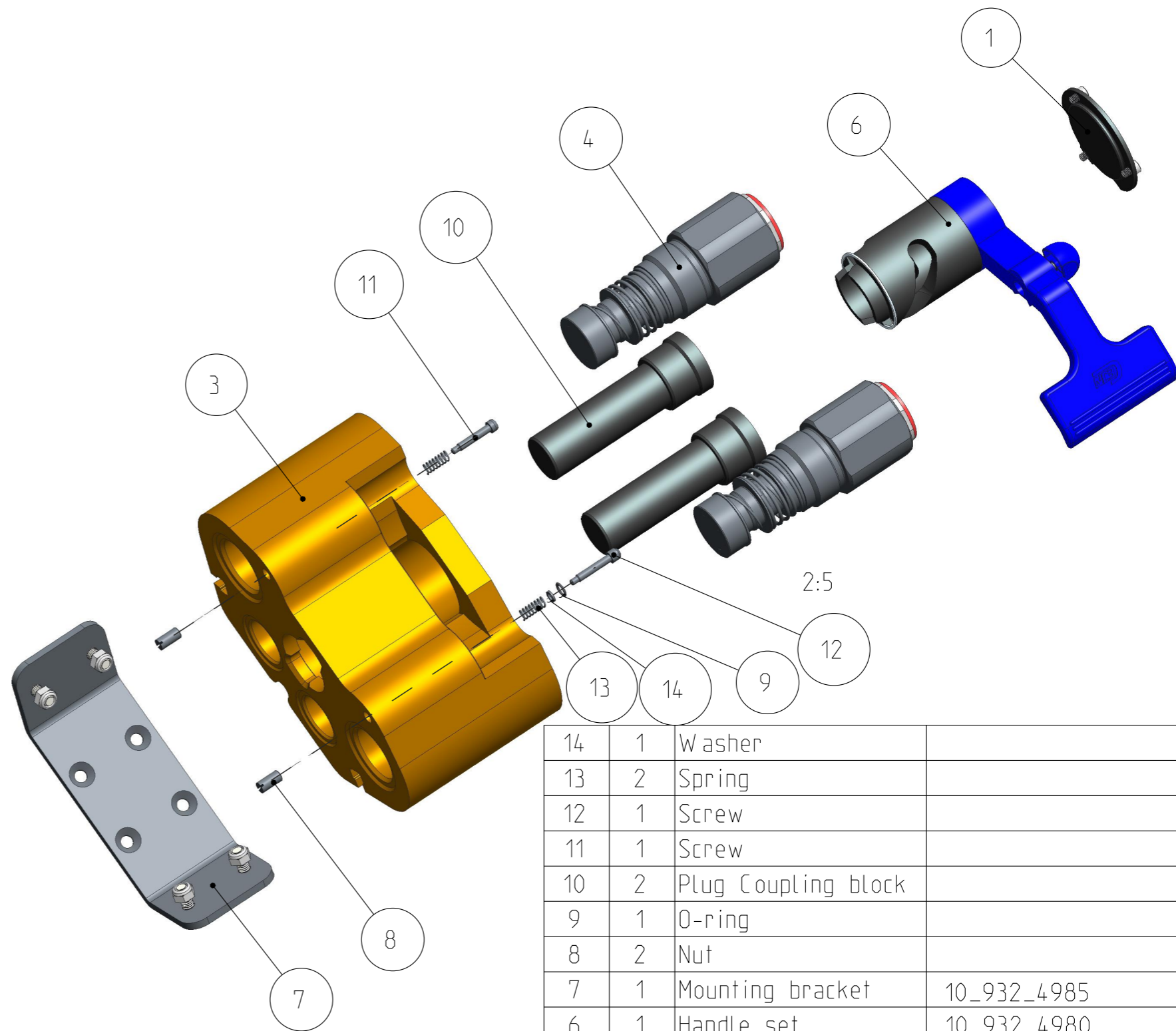
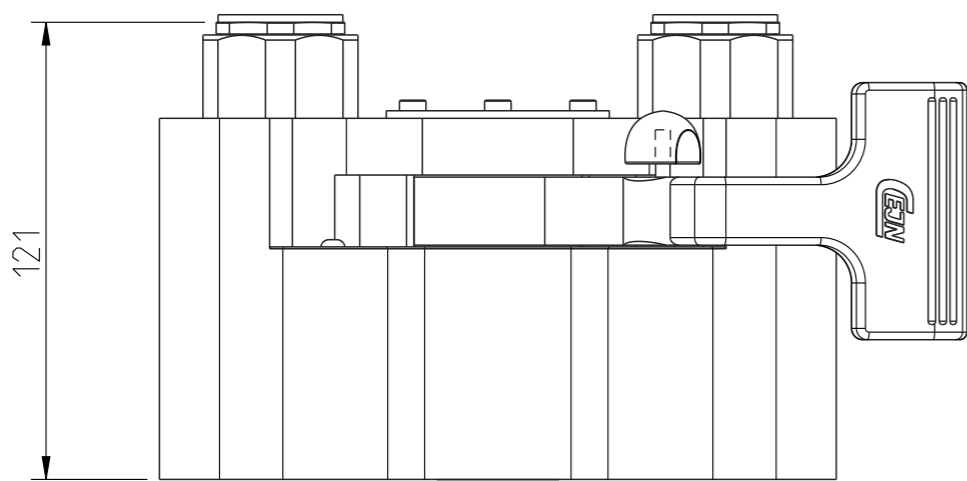
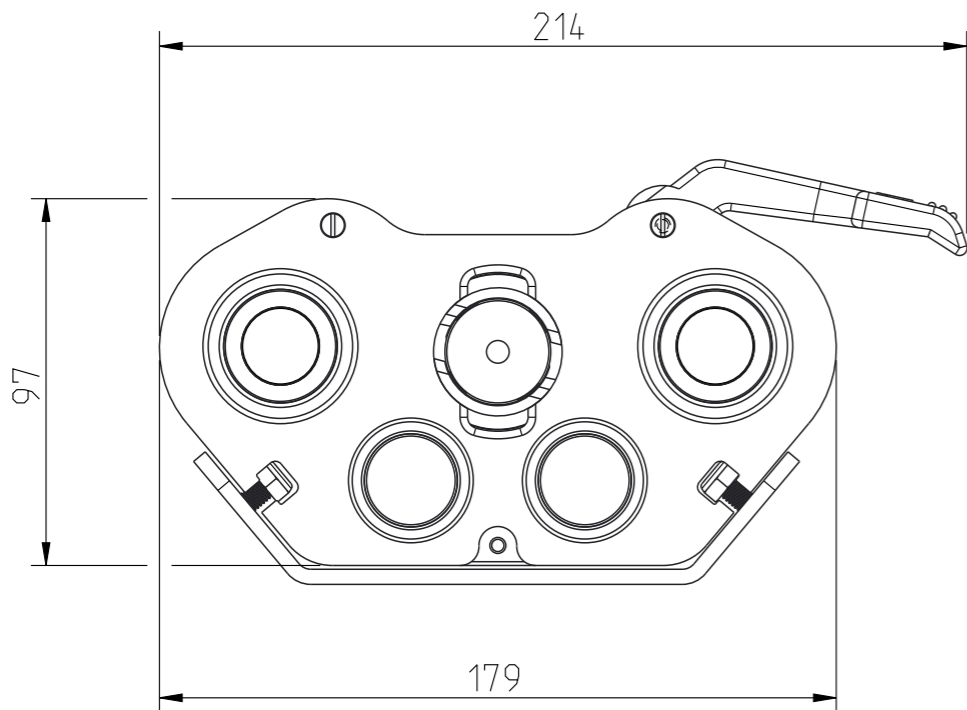
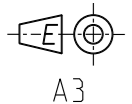


Alla rättigheter förbehålls.
 All rights reserved.
 Alle rechte vorbehalten.

Denna handling får ej utan vårt medgivande delges annan, kopieras eller eljest obehörigen användas.
 Överräddelse härvid beivras med stöd av gällande lag.
 This document must not be copied, either completely or in part, without permission.
 Any infringement will have legal consequences.



14	1	Washer	
13	2	Spring	
12	1	Screw	
11	1	Screw	
10	2	Plug Coupling block	
9	1	O-ring	
8	2	Nut	
7	1	Mounting bracket	10_932_4985
6	1	Handle set	10_932_4980
5	2	Front part	
4	2	Coupling kit DN19	10_765_1901
3	1	Coupling block	
2	1	Button	
1	1	Back lid kit	10_932_4981
Detail Item	Antal Quant.	Benämning Description	Reservdelsnr. Spare part no.

Product no: 10_932_5002			
Max working pressure:	350	bar connected	
	-	bar disconnected	
Min burst pressure:	1200	bar connected	
	-	bar disconnected	
Sealing material:	NBR/PUR		
Temperatur range:	-30°C - +100 °C		
Nominal flow diameter, DN:	19	mm	
Connection	WEO 3/4"		
Connection stroke:	-	mm	

	Skala Scale	3:5	Ritad Drawn	JoEr	Kontr. Checked	Godk. Appr.	AM nr. ALT. no.	-	Dat. Date	150119	
	Assembly drawing						Ritning nr./Drawing No.		50_932_5002		Utg./Issue