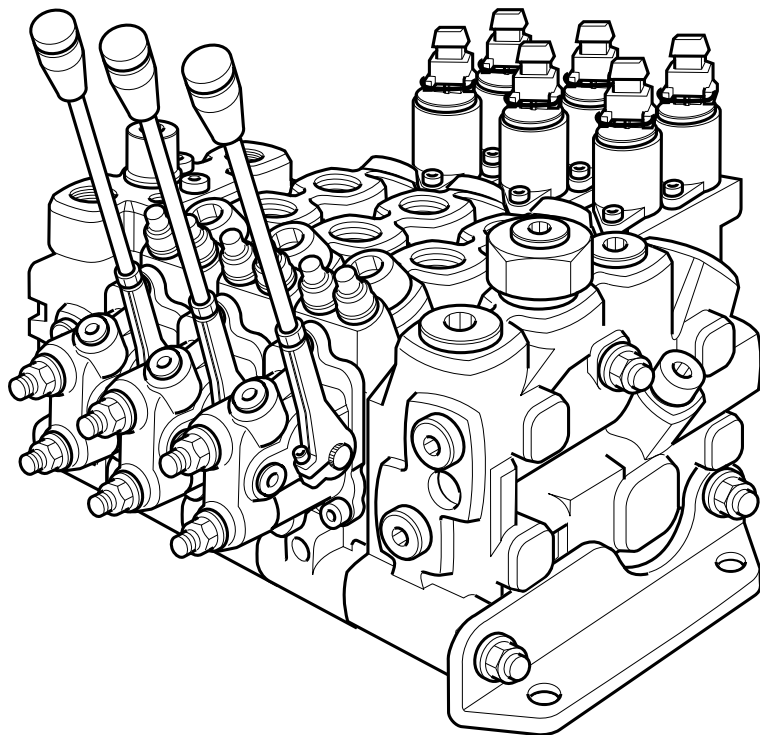




Spare Parts List ***Series L90LS***

Directional Control Valve

Publication No HY17-8561/UK
Sep. 2005



Conversion factors

1 kg	= 2.2046 lb
1 N	= 0.22481 lbf
1 bar	= 14.504 psi
1 l	= 0.21997 UK gallon
1 l	= 0.26417 US gallon
1 cm ³	= 0.061024 in ³
1 m	= 3.2808 feet
1 mm	= 0.03937 in
9/5 °C + 32	= °F

WARNING

FAILURE OR IMPROPER SELECTION OR IMPROPER USE OF THE PRODUCTS AND/OR SYSTEMS DESCRIBED HEREIN OR RELATED ITEMS CAN CAUSE DEATH, PERSONAL INJURY AND PROPERTY DAMAGE.

This document and other information from Parker Hannifin Corporation, its subsidiaries and authorized distributors provide product and/or system options for further investigation by users having technical expertise. It is important that you analyze all aspects of your application, including consequences of any failure, and review the information concerning the product or system in the current product catalogue. Due to the variety of operating conditions and applications for these products or systems, the user, through its own analysis and testing, is solely responsible for making the final selection of the products and systems and assuring that all performance, safety and warning requirements of the application are met.

The products described herein, including without limitation, product features, specifications, designs, availability and pricing, are subject to change by Parker Hannifin Corporation and its subsidiaries at any time without notice.

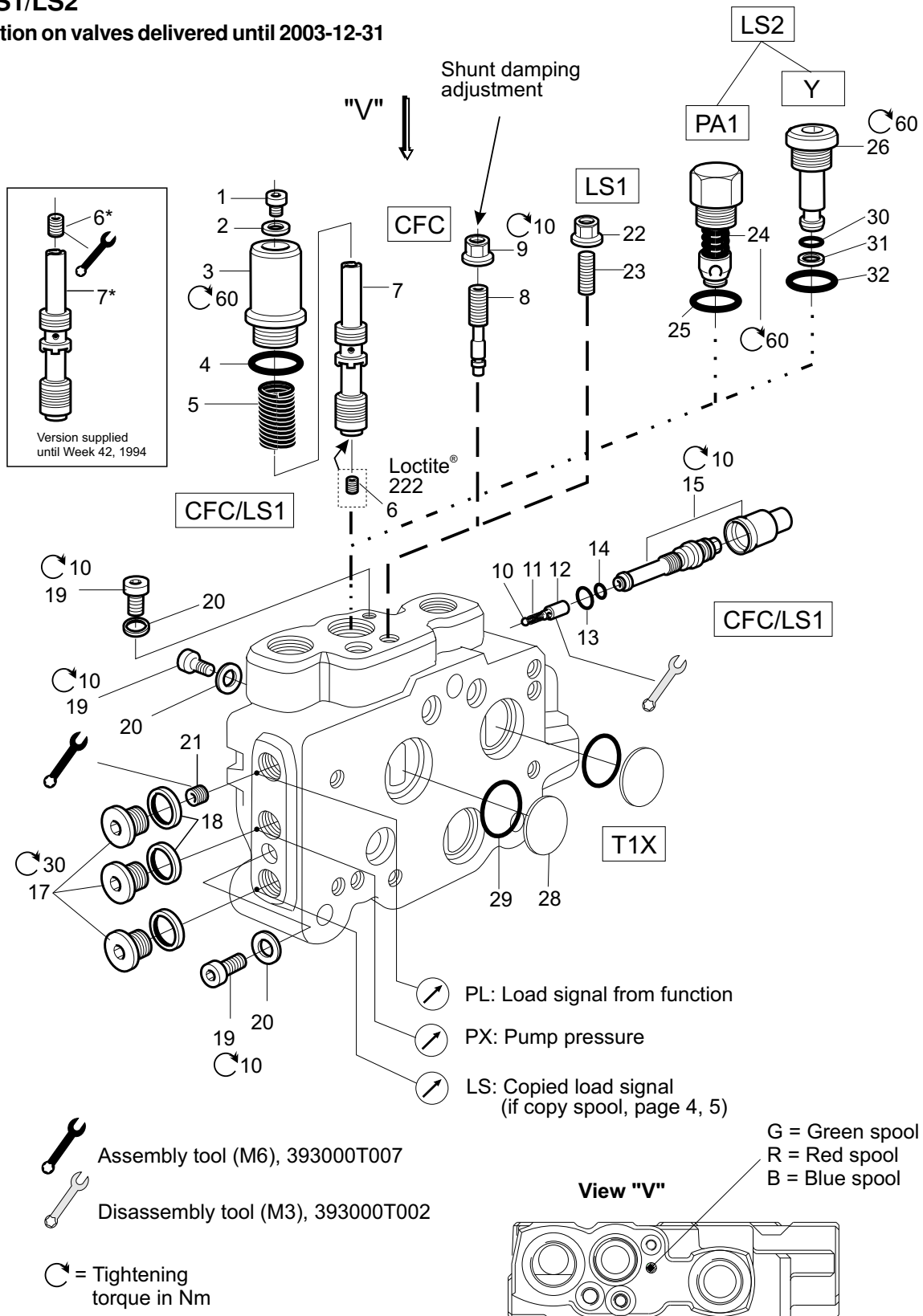
Offer of Sale

Please contact your Parker representation for a detailed "Offer of Sale".

List of contents	Page
Inlet section type CFC/LS1/LS2	
PS, PA, Y, T1X.....	4 - 5
Inlet section type CFC/LS1/LS2	
PS, PA, Y	6 - 7
Inlet section type AS/AS2	
PLS, PLM	8 - 9
Inlet section type CFC/LS1/LS2	
KS, KB, BB, BE, BX, T1B, P1B	10 - 11
Inlet section type CFC/LS1/LS2	
KS, KB	12 - 13
Actuators	
ACE, ACP, LM, LU	14 - 15
Actuators	
FD	16 - 17
Actuators	
CH, CHX, CHB3, ML1	18 - 19
Actuators	
Joy-Stick	20 - 21
Actuators A-Side	
PC, EC, EB, ECH, PCH, EBH	22 - 23
Actuators	
PC, EC, EB, ECH, PCH, EBH	24 - 25
Actuators	
EC, EB, ECH, EBH (PVC Solenoids)	26 - 27
Spool Section Options	
Compensators	28 - 29
Spool Section Options	
Accessories	30 - 31
Spool/Outlet Section Options	
T2B, P2B, PS, LSP, etc	32 - 33
Outlet Section Options	
Accessories	34 - 35
Outlet Section Options	
Accessories	36 - 37
Basic Valve	
Tie-rods, Brackets	38 - 39

CFC/LS1/LS2

Inlet section on valves delivered until 2003-12-31

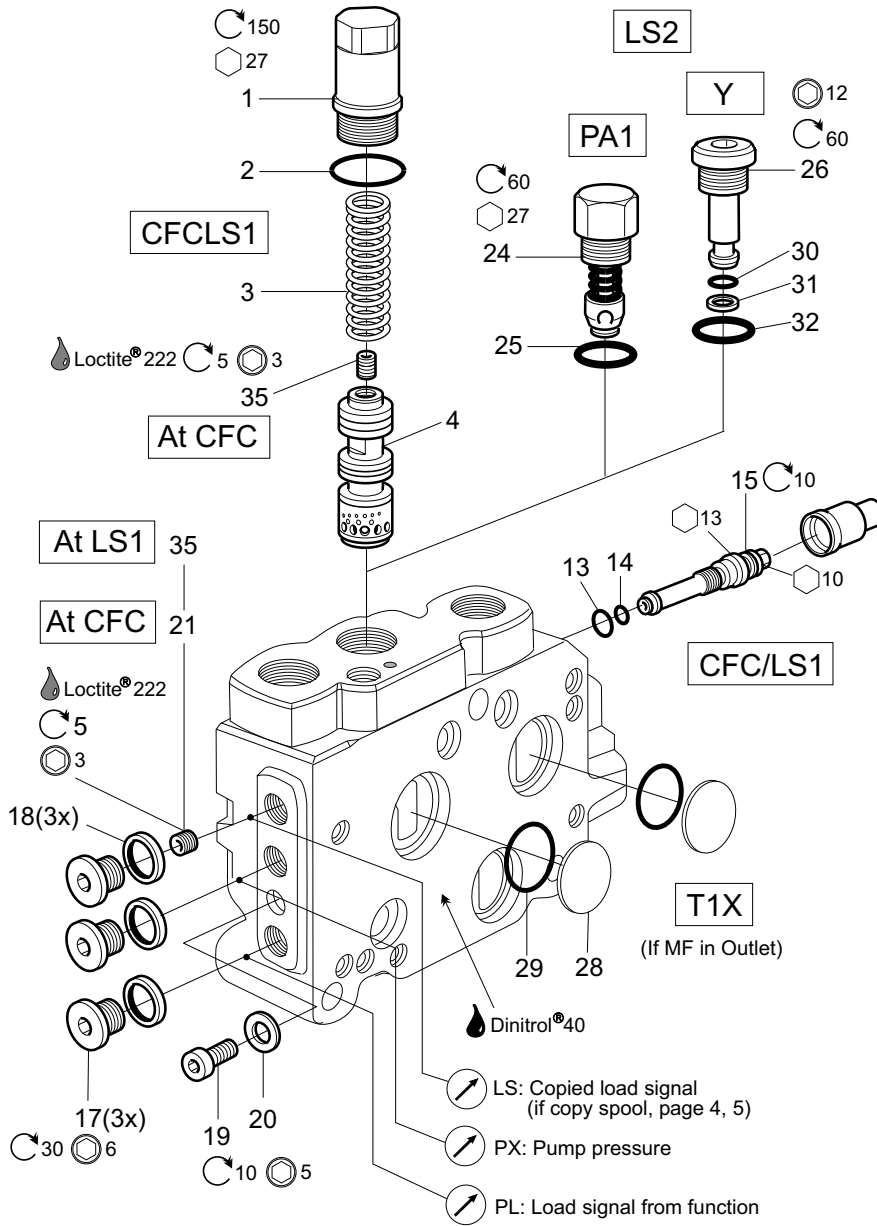


Please use Spare Parts List K170LS/K220LS, when looking for L90LS Combo Inlet parts.

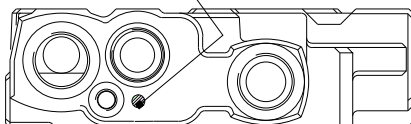
Code	Part#	Description	Remarks/Items
PS/CFC	393000K245	Main relief valve, size Blue	3(1, 2, 4), 5, 6(Plug M4), 7, 8,
PS/CFC	393000K445	Main relief valve, size Green	9, 10, 11, 12, 15(13, 14), 16,
PS/CFC	393000K645	Main relief valve, size Red	21(Restrictor M6 ϕ 1.0), 27
-	0190 1167	Screw, M4	6, MV=1.5 Nm
-	0190 1241	Screw, M6	6*, MV= 5 Nm
PS/LS1	393000K246	Main relief valve, size Blue	3(1, 2, 4), 5, 6(Restrictor M4 ϕ 1.0), 7,
PS/LS1	393000K446	Main relief valve, size Green	15(13, 14), 21(Plug M6), 22, 23
PS/LS1	393000K646	Main relief valve, size Red	
-	9128377710	Restrictor, M4	6, MV=1.5 Nm
-	9127197109	Restrictor, M6	6*, MV=5 Nm
-	393000K801	Seal kit PS, LS1/LS2	2, 4, 9, 13, 14, 16, 20(3x)
PA1/LS2	393000K203	Main relief valve, 63 bar	24 (25)
PA1/LS2	393000K204	Main relief valve, 80 bar	24 (25)
PA1/LS2	393000K205	Main relief valve, 100 bar	24 (25)
PA1/LS2	393000K206	Main relief valve, 125 bar	24 (25)
PA1/LS2	393000K207	Main relief valve, 140 bar	24 (25)
PA1/LS2	393000K022	Main relief valve, 160 bar	24 (25)
PA1/LS2	393000K023	Main relief valve, 175 bar	24 (25)
PA1/LS2	393000K024	Main relief valve, 190 bar	24 (25)
PA1/LS2	393000K025	Main relief valve, 210 bar	24 (25)
PA1/LS2	393000K026	Main relief valve, 230 bar	24 (25)
PA1/LS2	393000K027	Main relief valve, 250 bar	24 (25)
PA1/LS2	393000K028	Main relief valve, 280 bar	24 (25)
PA1/LS2	393000K029	Main relief valve, 300 bar	24 (25)
PA1/LS2	393000K742	Main relief valve, 320 bar	24 (25)
PA1/LS2	393000K030	Main relief valve, 330 bar	24 (25), A011
PA1/LS2	393000K032	Main relief valve, 260 bar	24 (25)
PA1/LS2	393000K031	Main relief valve, 350 bar	24 (25), A011
PA1/LS2	393000K033	Main relief valve, 240 bar	24 (25)
PA1/LS2	393000K634	Main relief valve, 380 bar	24 (25), A011
Y/LS2	393000K034	Main relief cavity plugged, Y	26(30, 31, 32)
-	393000K804	Seal kit, Y-plug	30, 31, 32
-	393000K802	Plug kit, "G", (BSP)	17(3x), 18(3x)
-	393000K803	Plug kit, "U", (UNF)	17(3x), 18(3x)
T1X	393000K253	T1 separated from spool sections	28(2x), 29(2x)

CFC/LS1/LS2

Inlet section on valves delivered from 2004-01-01



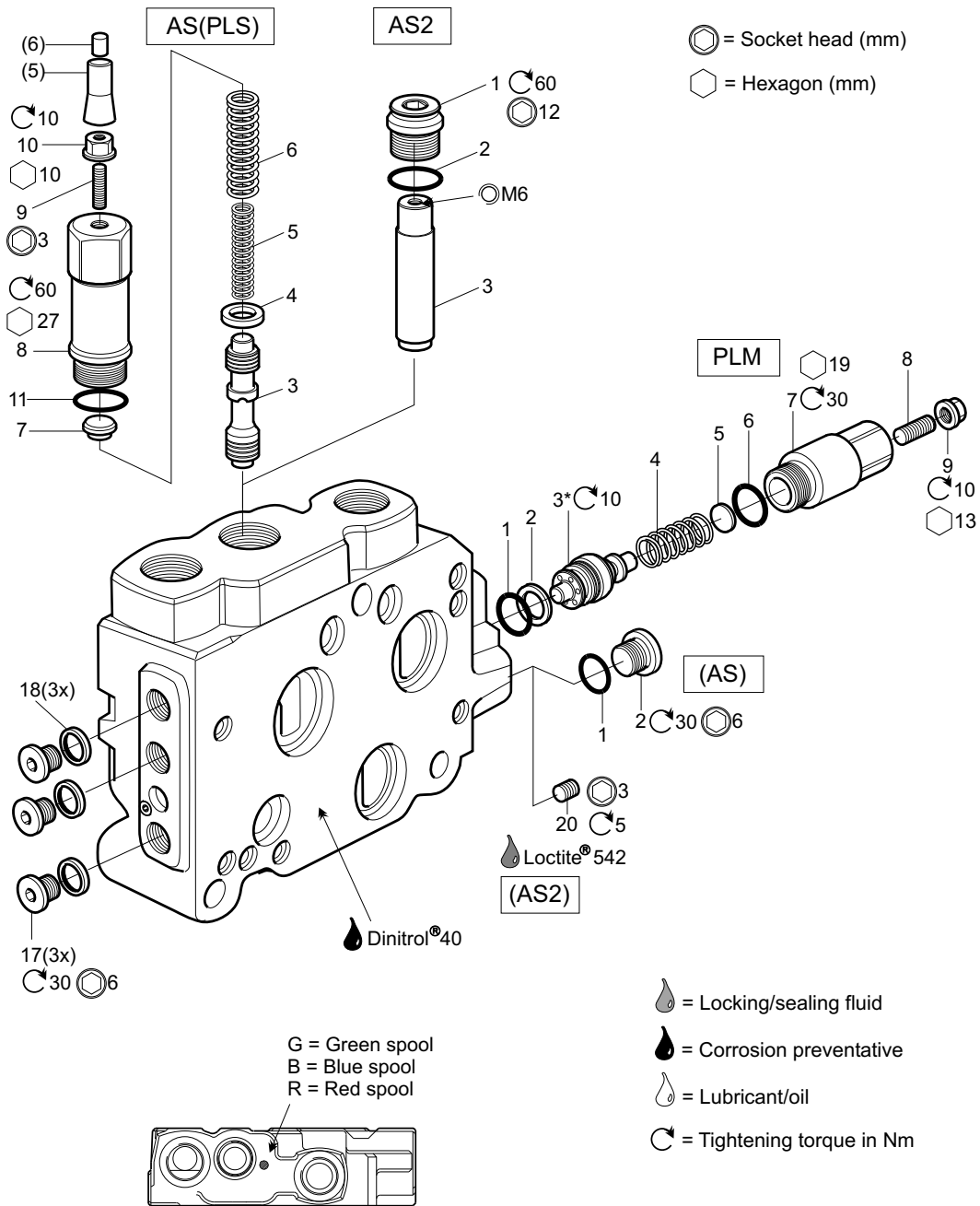
G = Green spool
 R = Red spool
 B = Blue spool



- ⌚ = Tightening torque in Nm
- ⊙ = Socket head (mm)
- ⬡ = Hexagon (mm)
- 💧 = Locking/sealing fluid
- ⚡ = Corrosion preventative

Please use Spare Parts List K170LS/K220LS, when looking for L90LS Combo Inlet parts.

AS/AS2



Please use Spare Parts List K170LS/K220LS, when looking for L90LS Combo Inlet parts.

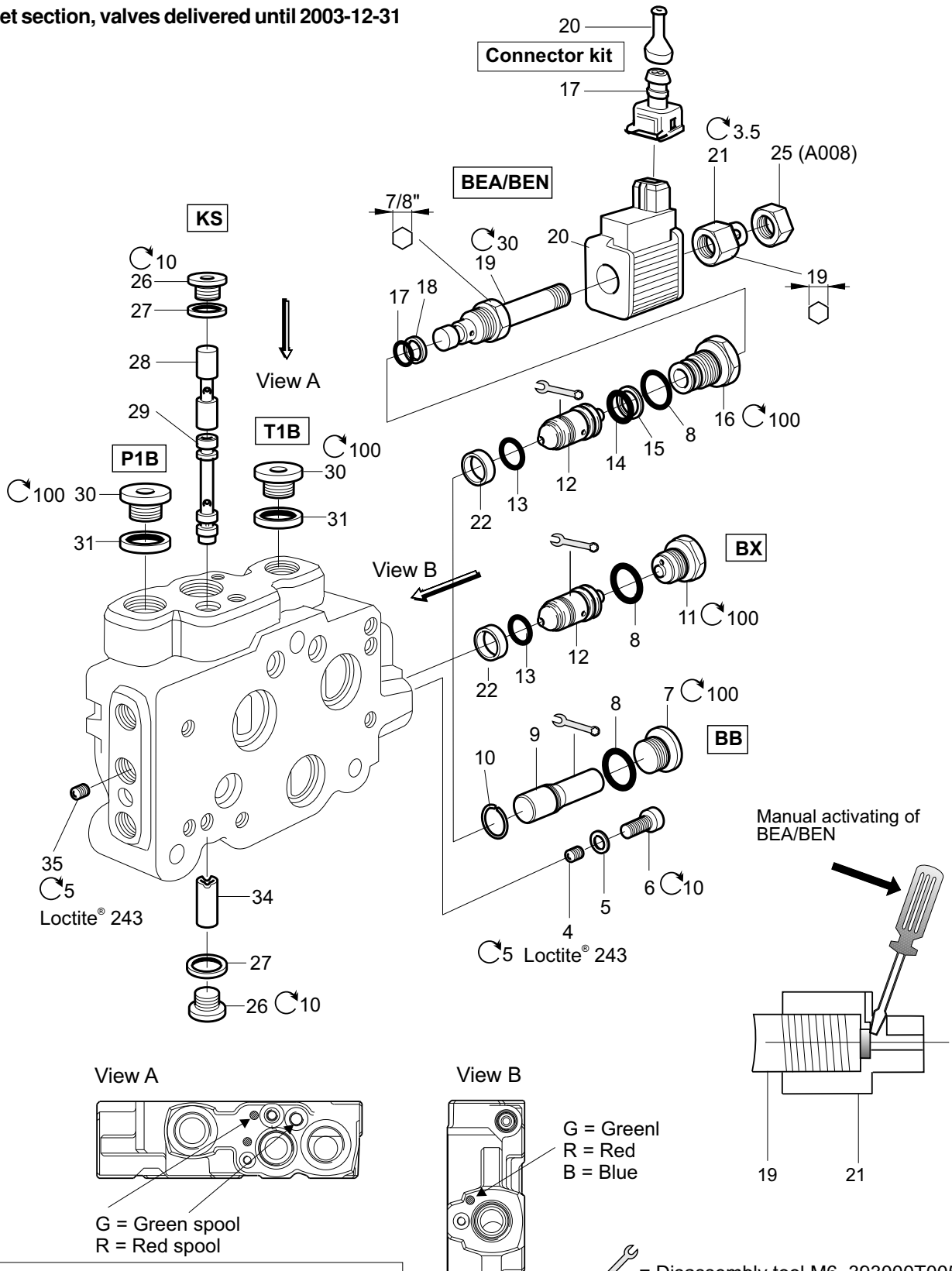
Inlet Section

Code	Part#	Description	Remarks/Items
AS(PLS)	393000K870	Difference pressure limiter, 20 - 25 bar	1, 2, 3, 4, 6, 7, 8, 9, 10, 11
AS(PLS)	393000K867	Difference pressure limiter, 26 - 35 bar	1, 2, 3, 4, 5, 6, 7, 8, 9, 10, 11
AS(PLS)	393000K852	Sealing set	(5), (6)
AS2	393000K868	Plugged diff. press. limiter cavity	1, 2, 3
AS/AS2(PLM)	393000K869	System pressure limiter	1, 2, 3, 4, 5, 6, 7, 8, 9
-	9120092271	Seal kit	1, 2, 6, 9



KS, KB, BEA/BEN, P1B, T1B, BB, BX

Inlet section, valves delivered until 2003-12-31

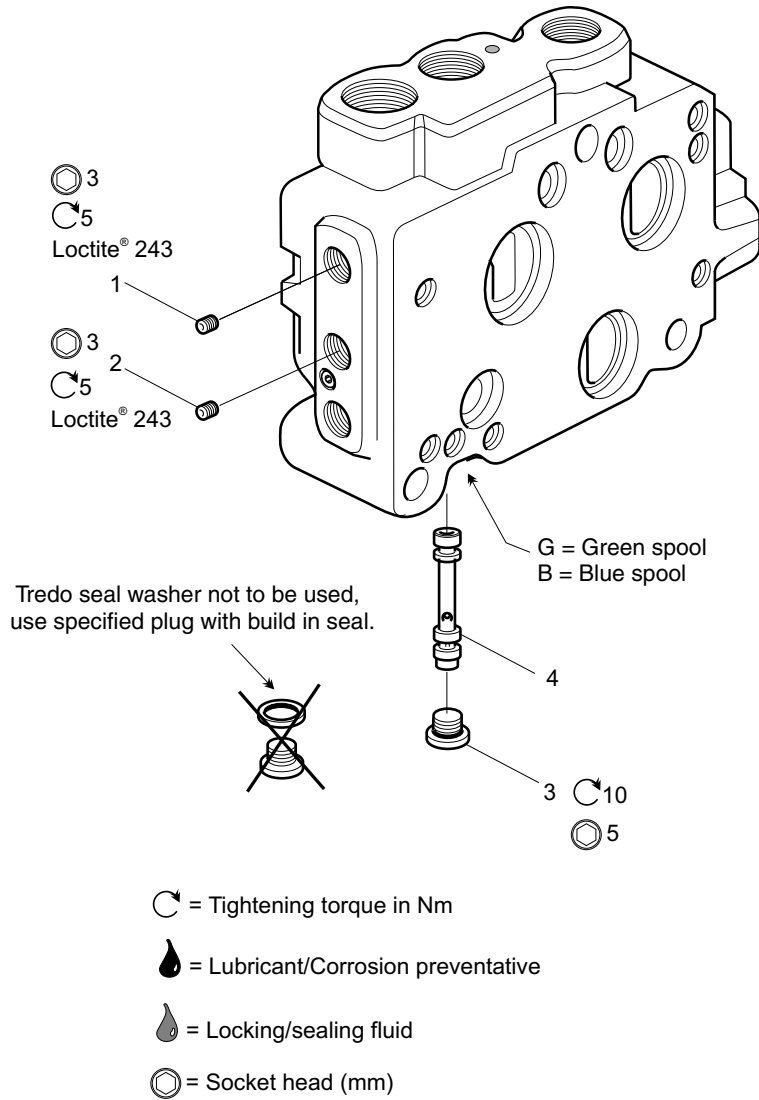


Please use Spare Parts List K170LS/K220LS, when looking for L90LS Combo Inlet parts.

Code	Part#	Description	Remarks/Items
T1B	393000K043	T1 connection plugged, "G" (BSP)	30, 31
T1B	393000K044	T1 connection plugged, "U" (UNF)	30, 31
P1B	393000K043	P1 connection plugged, "G"	30, 31
P1B	393000K044	P1 connection plugged, "U"	30, 31
KB	393000K038	No copy spool	26(2x), 27(2x), 35
KS	393000K035	Copy spool, size Green	26(2x), 27(2x), 28, 29, 34
KS	393000K435	Copy spool, size Red	26(2x), 27(2x), 28, 29, 34
BB	393000K208	Pump blocking cavity plugged, size B	4, 5, 6, 7, 8, 9, 10
BB	393000K408	Pump blocking cavity plugged, size G	
BB	393000K608	Pump blocking cavity plugged, size R	
BEA	393000K248	BEA kit (Active solenoid), 12V, size B	12(22,13), 16(14,15,8), 19(17,18,20,21)
BEA	393000K448	BEA kit (Active solenoid), 12V, size G	
BEA	393000K648	BEA kit (Active solenoid), 12V, size R	
BEA	393000K250	BEA kit (Active solenoid), 24V, size B	12(22,13), 16(14,15,8), 19(17,18,20,21)
BEA	393000K450	BEA kit (Active solenoid), 24V, size G	
BEA	393000K650	BEA kit (Active solenoid), 24V, size R	
BEN	393000K247	BEN kit (Non active sol.), 12V, size B	12(22,13), 16(14,15,8), 19(17,18,20,21)
BEN	393000K447	BEN kit (Non active sol.), 12V, size G	
BEN	393000K64	BEN kit (Non active sol.), 12V, size R	
BEN	393000K249	BEN kit (Non active sol.), 24V, size B	12(22,13), 16(14,15,8), 19(17,18,20,21)
BEN	393000K449	BEN kit (Non active sol.), 24V, size G	
BEN	393000K649	BEN kit (Non active sol.), 24V, size R	
BX	393000K654	BX plug, BSP	4, 8, 11
BX	393000K653	BX plug, UNF	4, 8, 11
BX	393000K655	BX poppet, size R	12(13, 22)
BX	393000K656	BX poppet, size G	12(13, 22)
BX	393000K657	BX poppet, size B	12(13, 22)
BX + A026	393000K905	BX poppet A026, size R	12(13, 22)
BX + A026	393000K906	BX poppet A026, size G	12(13, 22)
BX + A026	393000K907	BX poppet A026, size B	12(13, 22)
-	393000K805	Seal kit BEA/BEN/BX	5, 8, 11, 13, 14, 15, 17, 18, 22
-	393000K830	Seal kit BX	5, 8, 13, 22
-	393000K822	Connector, kit for 1 solenoid	17, 20
-	393000K825	Connector, kit for 10 solenoids	17, 20
-	393000K826	Connector, kit for 50 solenoids	17, 20
-	3763396	Coil, 12 VDC	20
-	3763397	Coil, 24 VDC	20

KS/KB

Inlet section on valves delivered from 2004-01-01

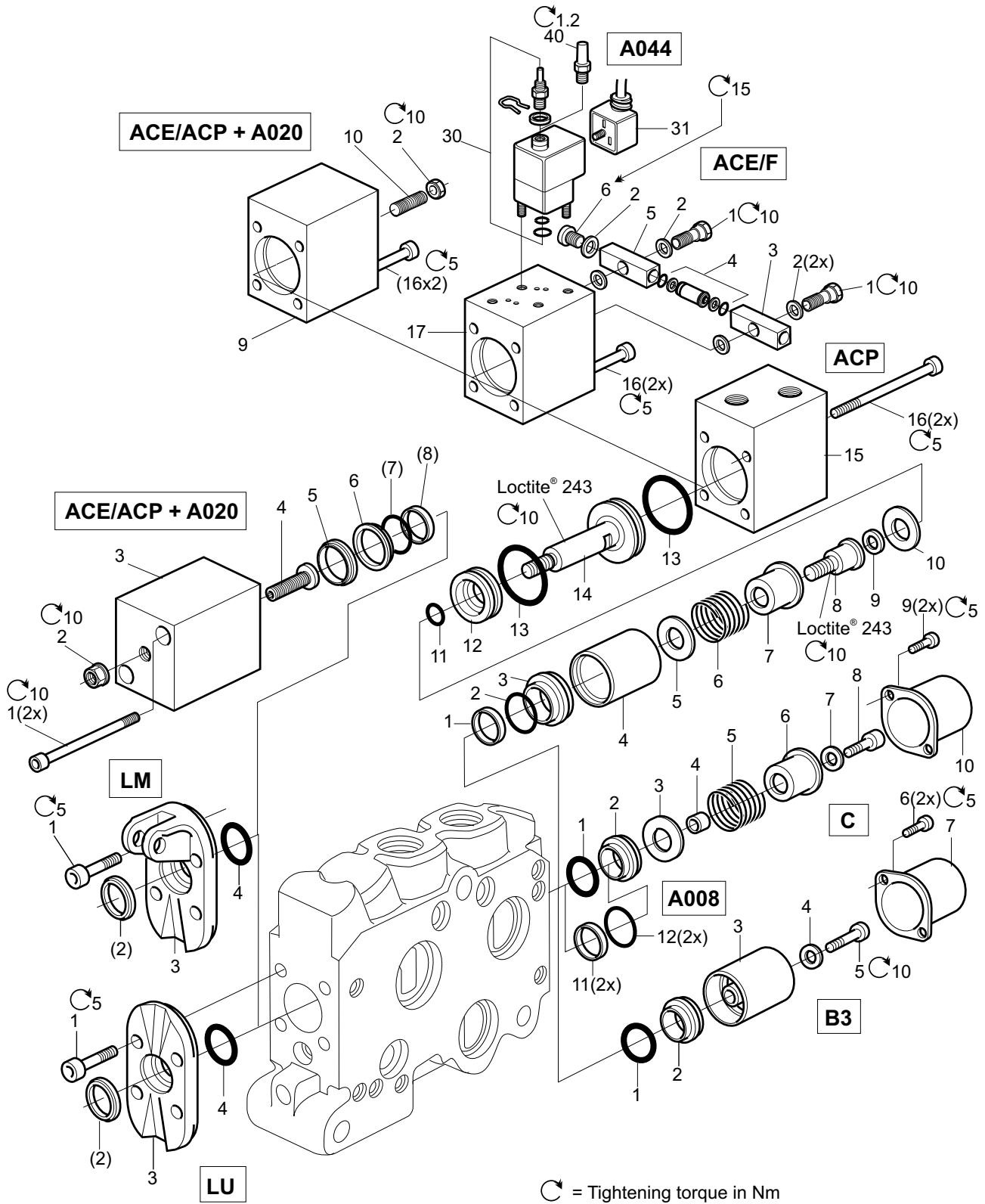


Please use Spare Parts List K170LS/K220LS,
when looking for L90LS Combo Inlet parts.

Code	Part#	Description	Remarks/Items
KS	393000K037	Copy spool KS, size G	3, 4 NB! Using other plug than VST11/8EDA3C, copy spool will not work !
KS	393000K437	Copy spool KS, size R	3, 4 NB ! Using other plug than VST11/8EDA3C, copy spool will not work !
KS	9127197106		1 = orifice at CFC
KS	01901241		1 = plug at LS1, AS2
KS	-		1 = No plug or orifice at AS, LS2
KB	VST11/8EDA3C	No copy spool	3
KB	9120097106		1 = orifice Ø0,7 at CFC
KB	01901241		1 = plug at LS1, AS2
KB	-		1 = No plug or orifice at AS, LS2
KB	01901241		2 = Plug at CFC, LS1, LS2, AS, AS2



ACE, ACP, LM, LU

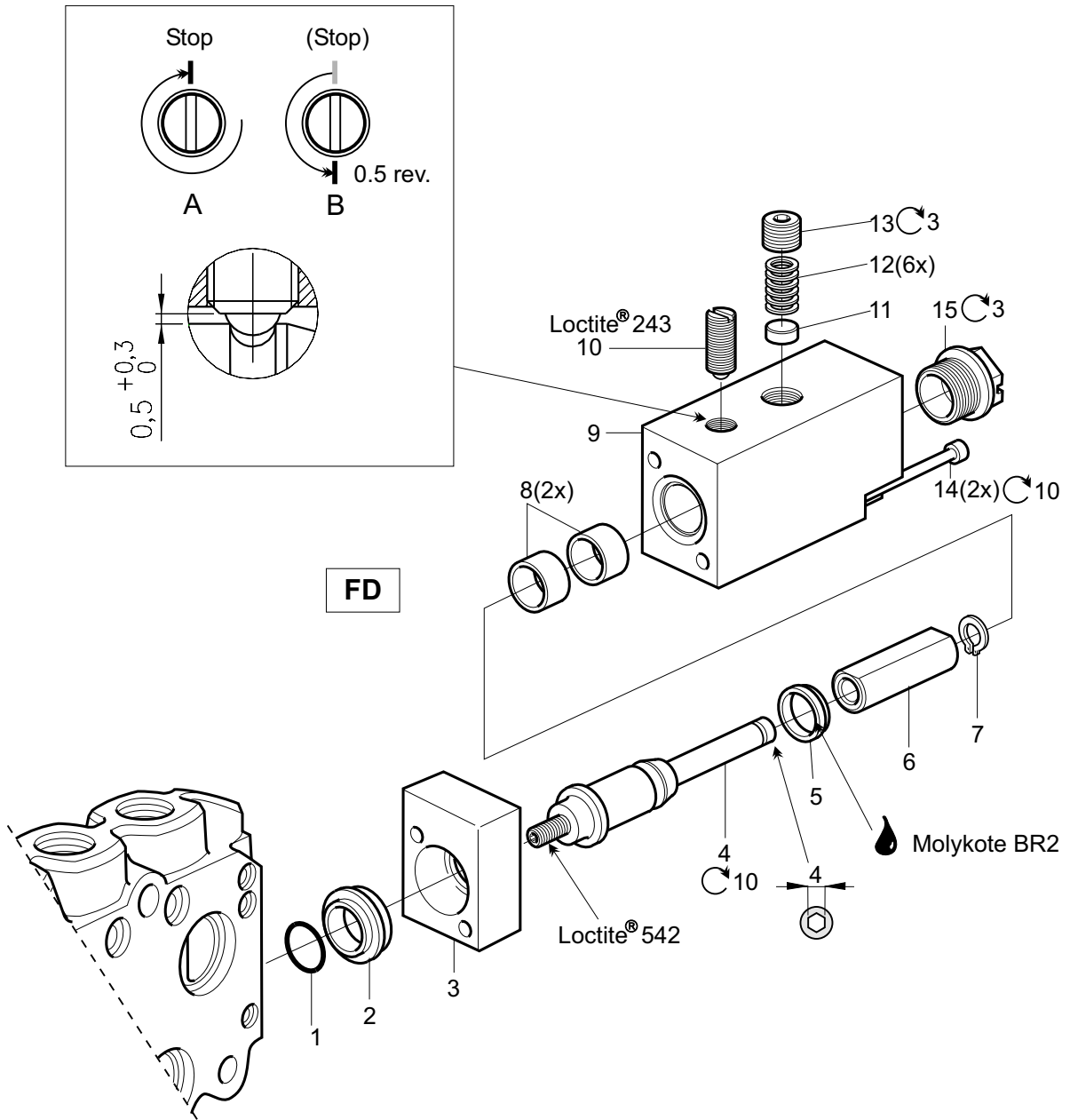


Ⓒ = Tightening torque in Nm

Code	Part#	Description	Remarks/Items
ACP	393000K847	Pneum. proportional actuator, (BSP)	1 - 12, 13(2x), 14, 15, 16(2x)
ACP	393000K848	Pneum. proportional actuator, (UNF)	1 - 12, 13(2x), 14, 15, 16(2x)
ACP	9120079115	Seal kit, ACP	1(2x), 2(2x), 11, 13(2x)
ACP + A020	393000K894	Spool stroke limiting kit, (BSP)	1(2x), 2(2x), 3 - 6, 9, 10
ACP + A020	393000K895	Spool stroke limiting kit, (UNF)	1(2x), 2(2x), 3 - 6, 9, 10
ACE	393000K237	Electropneum. on-off actuator, (BSP)	2 - 12, 13((2x), 14, 16(2x), 17
ACE	393000K238	Electropneum. on-off actuator, (UNF)	2 - 12, 13((2x), 14, 16(2x), 17
ACE	393000K808	Seal kit, ACE	2, 11, 13(2x)
ACE + A020	393000K892	Spool stroke limiting kit, (BSP)	1(2x), 2(2x), 3 - 6, 9, 10
ACE + A020	393000K893	Spool stroke limiting kit, (UNF)	1(2x), 2(2x), 3 - 6, 9, 10
ACE	9123958812	Solenoid valve, 12 VDC	30, 31
ACE	9123958824	Solenoid valve, 24 VDC	30, 31
-	9120099615	Seal kit for one solenoid valve	
ACE + A044	393000K872	Silencer, kit for two solenoids	40
ACEF	393000K855	Pressure supply, inlet piece, (BSP)	1, 2(2x), 4, 5
ACEF	393000K856	Pressure supply, inlet piece, (UNF)	1, 2(2x), 4, 5
ACEF	393000K857	Pressure supply, intermediate piece	1, 2(2x), 3, 4
ACEF	9120039072	Pressure supply, endpiece, (BSP/UNF)	1, 2(3x), 5, 6
ACEF	393000K854	Connection pipe	4
C	393000K235	Spool actuator, spring centered	1(2x), 2 - 8, 9(2x), 10
C + A008	393000K619	C actuator, with lower spring forces	2 - 8, 9(2x), 10, 11(2x), 12(2x)
B3	393000K236	Spool actuator, 3-pos. detent	1 - 5, 6(2x), 7
LM	393000K241	Lever bracket	1(2x), 3(2), 4
LU	393000K242	Cover	1(2x), 3(2), 4
-	393000K807	Spool seal kit (C, B3, ACE)	2, 4(2x)



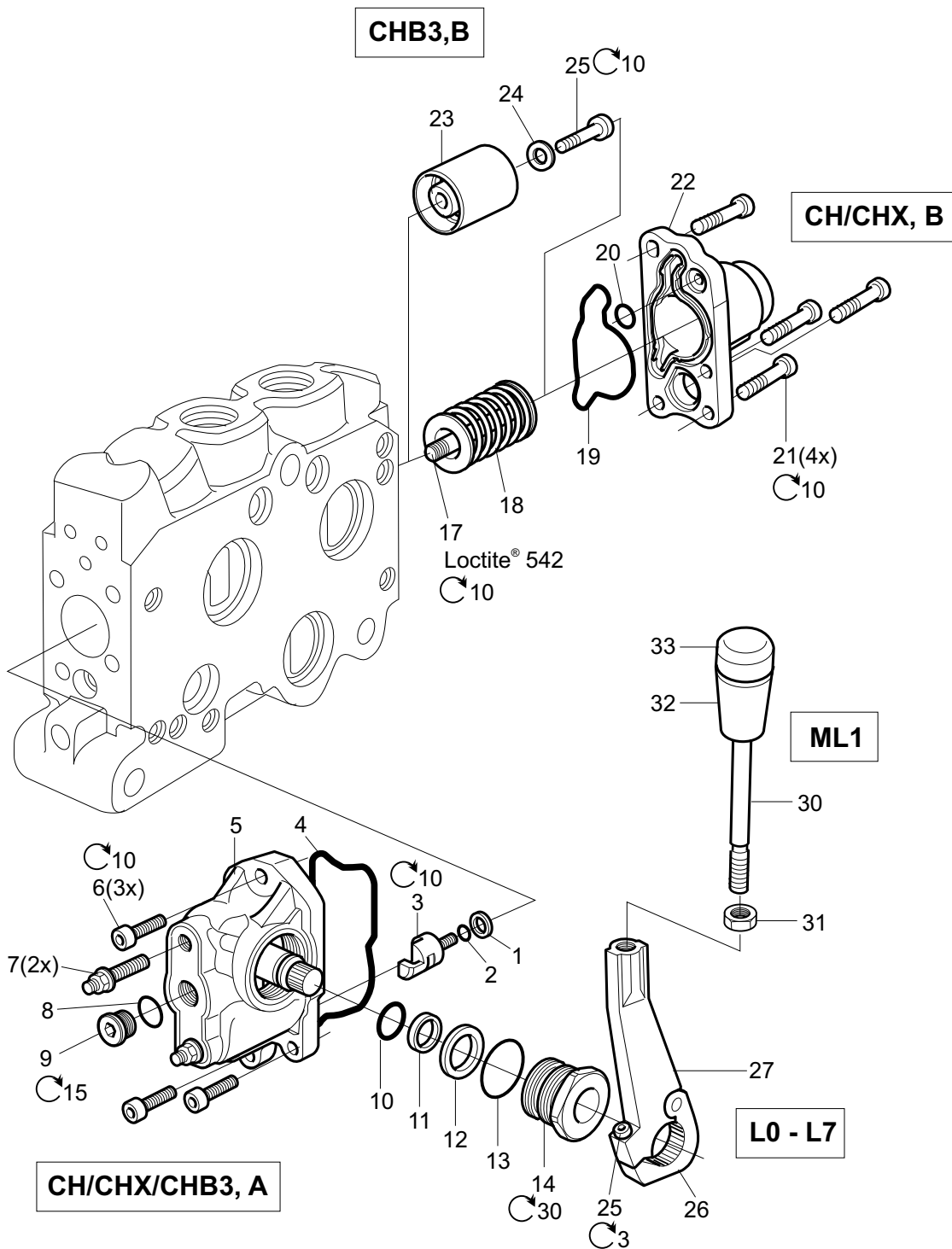
**FD
(Friction Detent)**



C = Tightening torque in Nm

🔥 = Lubricant/Corrosion preventative

CH, CHX, CHB3, ML1



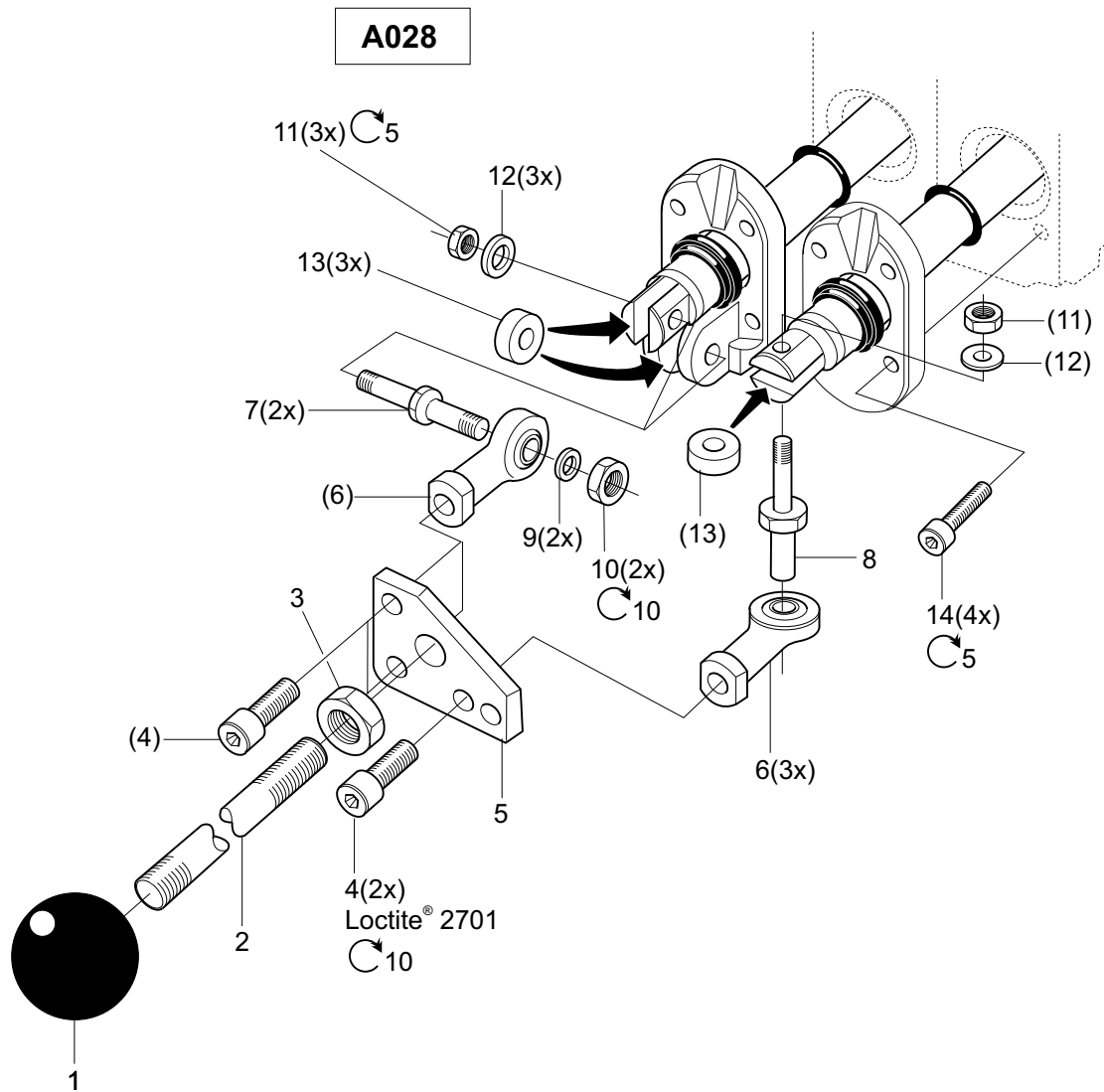
C = Tightening torque in Nm

Code	Part#	Description	Remarks/Items
CH/CHX/CHB3	393000K319	Lever housing kit, BSP, (A-side)	2, 3, 4, 5(7 - 14), 6(3x)
CH/CHX/CHB3	393000K320	Lever housing kit, UNF, (A-side)	2, 3, 4, 5(7 - 14), 6(3x)
CH/CHX/CHB3	393000K841	Seal kit, lever housing	2, 4, 7(2x), 8, 10, 11, 13
L0 - L7	393000K344	Lever kit	25, 26, 27
CH/CHX	393000K339	Cap kit, (B-side)	19, 20, 21(4x), 22
CH/CHX	393000K844	Seal kit, cap	19, 20
CH	393000K340	Spring kit	17, 18
CHX	393000K341	Spring kit	17, 18
CHB3	393000K849	Actuator with 3-pos. detent	19, 20, 21(4x), 22, 23, 24, 25
ML1	8234 9390 01	Hand lever	30, 31, 32, 33



A028

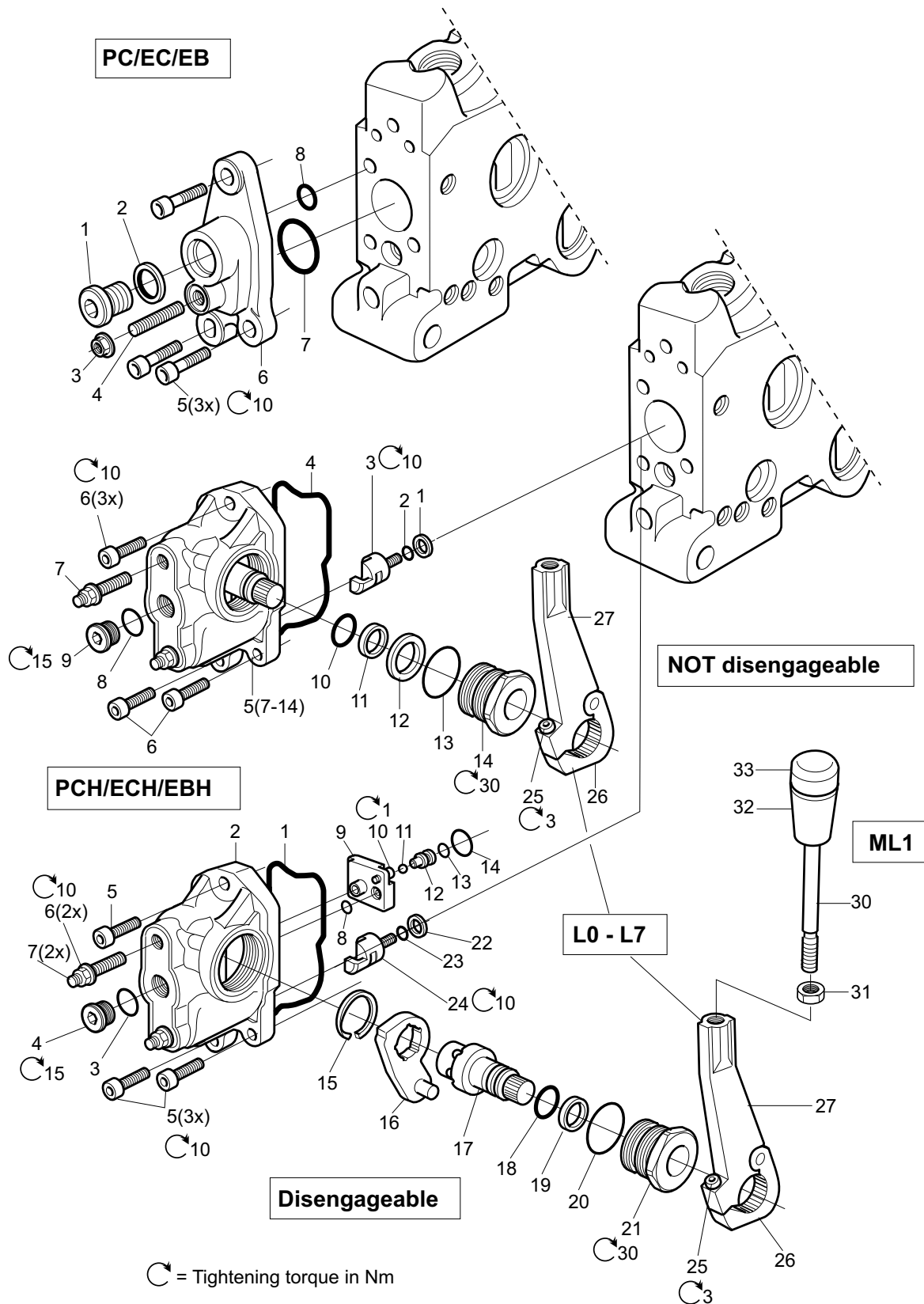
Joy-stick



⌚ = Tightening torque in Nm

PC, EC, EB, PCH, ECH, EBH

A-side



Actuators

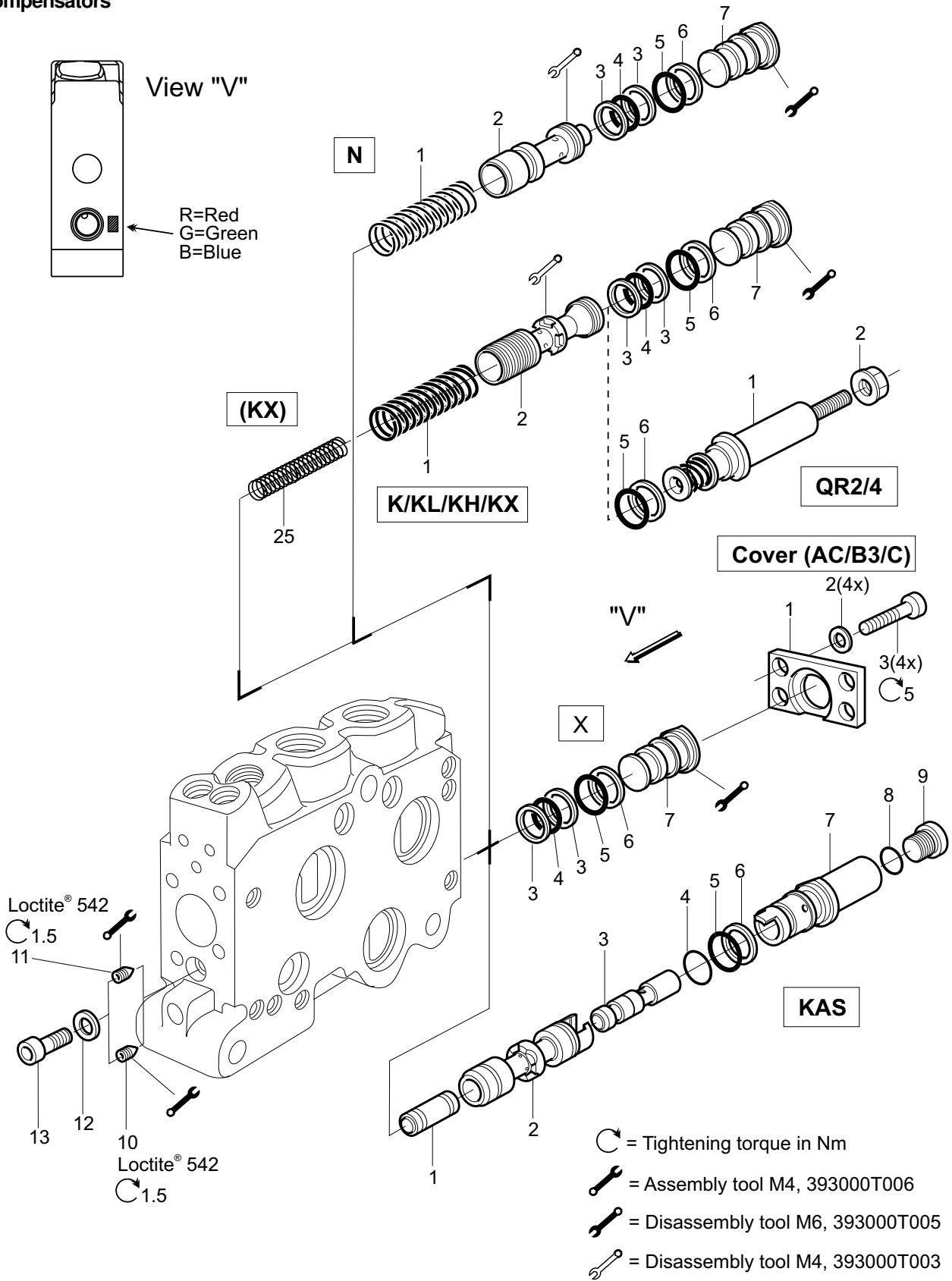
**Spare Parts List
Series L90LS**

Code	Part#	Description	Remarks/Items
EC/EB/PC	393000K337	Cap kit, (BSP)	1, 2, 3, 4, 5(3x), 6, 7, 8
EC/EB/PC	393000K338	Cap kit, (UNF)	1, 2, 3, 4, 5(3x), 6, 7, 8
EC/EB/PC	393000K843	Seal kit	2, 3, 7, 8
PC + A016	393000K746	Cover kit	A - side
(PC + A016)	393000K748	Cap kit	B - side)
ECH/EBH/PCH	393000K319	Lever housing kit (BSP), not disengageable.	1, 2, 3, 4, 5(7, 8, 9, 10, 11, 12, 13, 14), 6(3x)
ECH/EBH/PCH	393000K320	Lever housing kit (UNF), not disengageable	1, 2, 3, 4, 5(7, 8, 9, 10, 11, 12, 13, 14), 6(3x)
ECH/EBH/PCH	393000K841	Seal kit	2, 4, 7(2x), 8, 10, 11, 13
ECH/EBH/PCH	393000K419	Lever housing kit (BSP), disengageable	1, 2(3, 4, 6, 7, 8, 9, 10, 11, 12, 13, 15, 16, 17, 18, 19, 20, 21), 5(3x), 14
ECH/EBH/PCH	393000K420	Lever housing kit (UNF), disengageable	1, 2(3, 4, 6, 7, 8, 9, 10, 11, 12, 13, 15, 16, 17, 18, 19, 20, 21), 5(3x), 14
ECH/EBH/PCH	393000K842	Seal kit	1, 3, 6(2x), 8, 13(2x), 14, 15, 18, 19, 20
L0 - L7	393000K344	Lever kit	25, 26, 27
ML1	8234 9390 01	Lever handle	30, 31, 32, 33

Code	Part#	Description	Remarks/Items
PC/PCH	393000K343	Spring kit, std	1, 2
PC/PCH	393000K239	Cap kit, (BSP)	3, 4(2x), 5(3x), 7, 8, 10, 11, 12
PC/PCH	393000K240	Cap kit, (UNF)	3, 4(2x), 5(3x), 7, 8, 10, 11, 12
PC/PCH	393000K845	Seal kit	3, 4(2x), 8, 11
PC/PCH	9127197105	Pilot restriction, ø0.6 (Brown)	A/B
PC/PCH	9127197107	Pilot restriction, ø0.8 (White)	A/B
PC/PCH	9127197109	Pilot restriction, ø1.0 (Green)	A/B
PC/PCH	9127197110	Pilot restriction, ø1.2 (Yellow)	A/B
PC/PCH	9127197102	Pilot restriction, ø1.4 (Green/White)	A/B
PC+A016	393000K748	Cap kit	
EC/ECH/EB/EBH	393000K343	Spring kit, std	1, 2
ECHL/EBHL	393000K342	Spring kit, Light	1, 2
EC/ECH/EB/EBH	393000K151	Cap kit, (BSP)	3, 4(2x), 5, 6(2x), 7(2x), 8-12, 18(4x)
EC/ECH/EB/EBH	393000K152	Cap kit, (UNF)	3, 4(2x), 5, 6(2x), 7(2x), 8-12, 18(4x)
EC/ECH/EB/EBH	393000K846	Seal kit (BSP)	3, 4(2x), 8, 11, 12
EC/ECH/EB/EBH	393000K871	Seal kit (UNF)	3, 4(2x), 9, 11, 12
EC+A036	393000K036	Spool stroke limiting kit	30, 31, 32, 33
EC/PC+A023	393000K859	Spring kit, 8 - 24 bar	1, 2
EC+A034	393000K984	Blocking plug	13, 14, 15, 18(2x), 19, 25

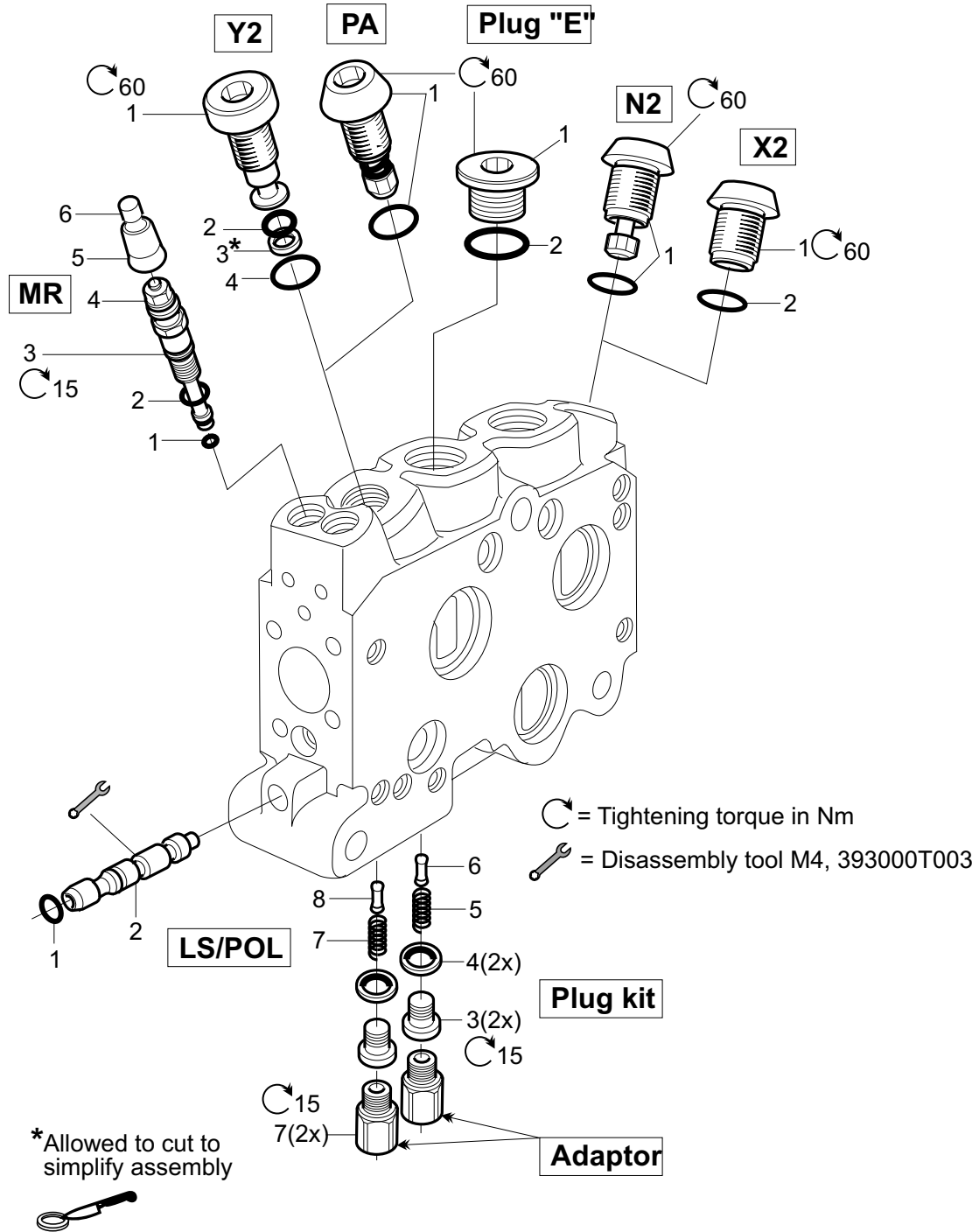
Code	Part#	Description	Remarks, Items
PVC	393000M012	PVC25 solenoid valve, 12VDC	16, 19 Manual override and air-bleed, AMP conn.
PVC	393000M024	PVC25 solenoid valve, 24VDC	16, 19 Manual override and air-bleed, AMP conn.
PVC	393000D012	PVC25 solenoid valve, 12VDC	16, 19 No manual overr. no air-bleed, Deutsch c.
PVC	393000D024	PVC25 solenoid valve, 24VDC	16, 19 No manual overr. no air-bleed, Deutsch c.
PVC	393000N012	PVC25 solenoid valve, 12VDC	16, 19, No manual override, no air-bleed, AMP c.
PVC	393000N024	PVC25 solenoid valve, 24VDC	16, 19, No manual override, no air-bleed, AMP c.
-	393000K813	Seal kit, PVC	13, 14, 15 (Kit for 1 solenoid valve)
-	393000K858	Air-bleed screw set	(For 2 solenoid valves)
PVC	393000K822	Connector kit (for 1 solenoid)	17, 20
PVC	393000K825	Connector kit (for 10 solenoids)	17, 20
PVC	3763 308	Pilot restriction ø3.0	19, (Supplied encl. with solenoid)
PVC	3762 612	Pilot restriction ø2.0, marking: 9 spots	19, (earlier colour marked black)
PVC	3762 611	Pilot restriction ø1.5, marking: 8 spots	19, (earlier colour marked blue)
PVC	3762 400	Pilot restriction ø1.4, marking: 7 spots	19, (earlier colour marked green/white)
PVC	3762 610	Pilot restriction ø1.3, marking: 6 spots	19, (earlier colour marked orange)
PVC	3762 399	Pilot restriction ø1.2, marking: 5 spots	19, (earlier colour marked yellow)
PVC	3762 609	Pilot restriction ø1.1, marking: 4 spots	19, (earlier colour marked red)
PVC	3762 398	Pilot restriction ø1.0, marking: 3 spots	19, (earlier colour marked green)
PVC	3762 910	Pilot restriction ø0.9, marking: 10 spots	19, (earlier colour marked red/white)
PVC	3762 397	Pilot restriction ø0.8, marking: 2 spots	19, (earlier colour marked white)
PVC	3762 396	Pilot restriction ø0.6, marking: 1 spot	19, (earlier colour marked brown)
PVC	3764 310	Pilot restriction ø0.45, mark.: 11 spots	19, (earlier colour marked blue/white)
PVC	3764 762	Pilot restriction ø0.7, mark.: 12 spots	19, (earlier colour marked black/red)

K, KL, KX, KH, N, X, KAS
Compensators



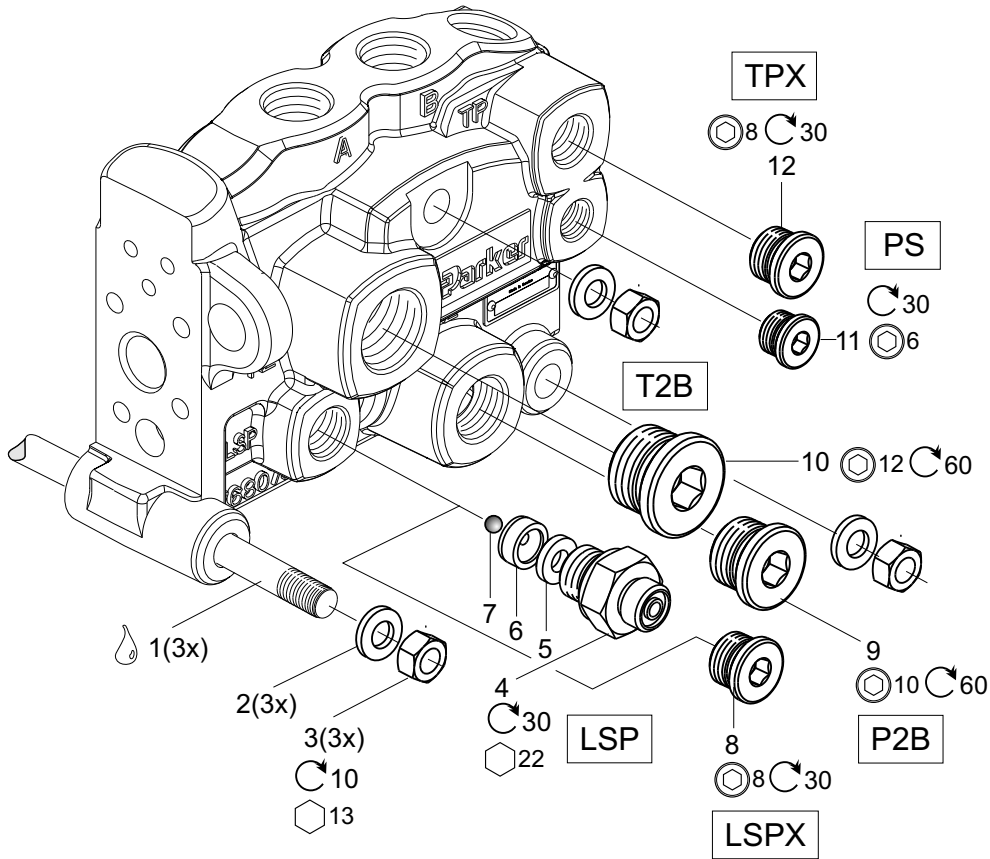
Code	Part#	Description	Remarks, Items
K	393000K169	Compensator kit, size Blue	1, 2, 7(3, 4, 5, 6), 12, 13
K	393000K469	Compensator kit, size Green	1, 2, 7(3, 4, 5, 6), 12, 13
KL	393000K209	Compensator kit, size Blue	1, 2, 7(3, 4, 5, 6), 12, 13
KL	393000K409	Compensator kit, size Green	1, 2, 7(3, 4, 5, 6), 12, 13
KH	393000K505	Compensator kit, size Blue	1, 2, 7(3, 4, 5, 6), 12, 13
KH	393000K506	Compensator kit, size Green	1, 2, 7(3, 4, 5, 6), 12, 13
KX	393000K616	Compensator kit, size Blue	1, 2, 7(3, 4, 5, 6), 12, 13, 25
KX	393000K617	Compensator kit, size Green	1, 2, 7(3, 4, 5, 6), 12, 13, 25
-	9128377708	Restrictor \varnothing 0.8 (Recommended size)	10 (At K, KL, KH, KX, KAS)
-	01901167	Plug	11 (At N, X)
N	393000K170	Supply check valve kit, size Blue	1, 2, 7(3, 4, 5, 6), 11, 12, 13
N	393000K470	Supply check valve kit, size Green	1, 2, 7(3, 4, 5, 6), 11, 12, 13
K/KL/KH/KX/N/X	393000K811	Seal kit, K/KL/KH/KX/N/X	3(2x), 4, 5, 6
KAS	393000K865	Flow sharing compensator, size Blue	1 - 9, 12, 13
KAS	393000K866	Flow sharing compensator, size Green	1 - 9, 12, 13
KAS	393000K908	Seal kit KAS	4, 5, 6, 8, 12
QR2/4, K	393000K233	Flow reducing kit for K	1(2, 5, 6)
QR2/4, KL	393000K234	Flow reducing kit for KL	1(2, 5, 6)
-	393000K860	Seal kit, QR2/4	2, 5, 6
X	393000K171	Plug, X	7(3, 4, 5, 6)
Cover	393000K172	Cover (actuators AC/E/P, B3, C)	1, 2(4x), 3(4x)

Accessories



Position	Part #, std	Part #, A005	Description	Items
75A/75B	393000K176	393000K558	Port relief valve, PLC053- 50-10, (bar at 10 l/min)	1
	393000K177	393000K559	Port relief valve, PLC053- 63-10	1
	393000K178	393000K560	Port relief valve, PLC053- 80-10	1
	393000K179	393000K561	Port relief valve, PLC053-100-10	1
	393000K180	393000K562	Port relief valve, PLC053-125-10	1
	393000K181	393000K563	Port relief valve, PLC053-140-10	1
	393000K182	393000K564	Port relief valve, PLC053-160-10	1
	393000K183	393000K565	Port relief valve, PLC053-175-10	1
	393000K184	393000K566	Port relief valve, PLC053-190-10	1
	393000K185	393000K567	Port relief valve, PLC053-210-10	1
	393000K186	393000K568	Port relief valve, PLC053-230-10	1
	393000K187	393000K569	Port relief valve, PLC053-250-10	1
	393000K188	393000K570	Port relief valve, PLC053-260-10	1
	393000K189	393000K571	Port relief valve, PLC053-280-10	1
	393000K190	393000K572	Port relief valve, PLC053-300-10	1
	393000K191	393000K573	Port relief valve, PLC053-320-10	1
	393000K192	393000K574	Port relief valve, PLC053-350-10	1
Code	Part#	Description	Remarks/Items	
N2	393000K194	Check valve	1	
X2	393000K193	Plug kit, X	1 ,2	
Y2	393000K195	Plug kit, Y	1, 2, 3, 4	
Y2	393000K818	Seal kit, Y2	2, 3, 4	
-	393000K280	Plug kit "E", (BSP)	1, 2	
-	393000K281	Plug kit "E", (UNF)	1, 2	
MR	393000K817	Supply pressure reducer	3(1, 2, 4)	
MR	393000K831	Gasket kit	1, 2, 4	
MR	393000K852	Sealing set	5, 6	
A1B	393000K627	Individual LS connection	1, 2, 7, 8	
A1B2	393000K624	Individual LS connection	1, 2, 5, 6, 7, 8	
A1B3	393000K196	Individual LS connection	1, 2, 5, 6, 7, 8	
A2B	393000K197	Individual LS connection	1, 2, 7, 8	
A2B2	393000K198	Individual LS connection	1, 2, 5, 6, 7, 8	
A2B3	393000K625	Individual LS connection	1, 2, 5, 6, 7, 8	
AB	393000K199	Individual LS connection	1, 2	
AB2	393000K284	Individual LS connection	1, 2, 5, 6	
AB3	393000K626	Individual LS connection	1, 2, 5, 6	
A1B1	393000K271	Individual LS connection	1, 2, 5, 6, 7	
A3B3	393000K272	Individual LS connection	1, 2, 5, 6, 7	
-	393000K828	Plug kit, (BSP)	3(2x), 4(2x)	
-	393000K829	Plug kit, (UNF)	3(2x), 4(2x)	
-	3763 932	Adaptor 1/8 BSP	7 (2x /section)	
-	3764 197	Adaptor 7/16-20 UNF	7 (2x /section)	

T2B, P2B, PS, LSP, TPX, LSPX



= Locking/sealing fluid

= Corrosion preventative

= Lubricant/oil

= Tightening torque in Nm

= Assembly/disassembly tool

= Greased

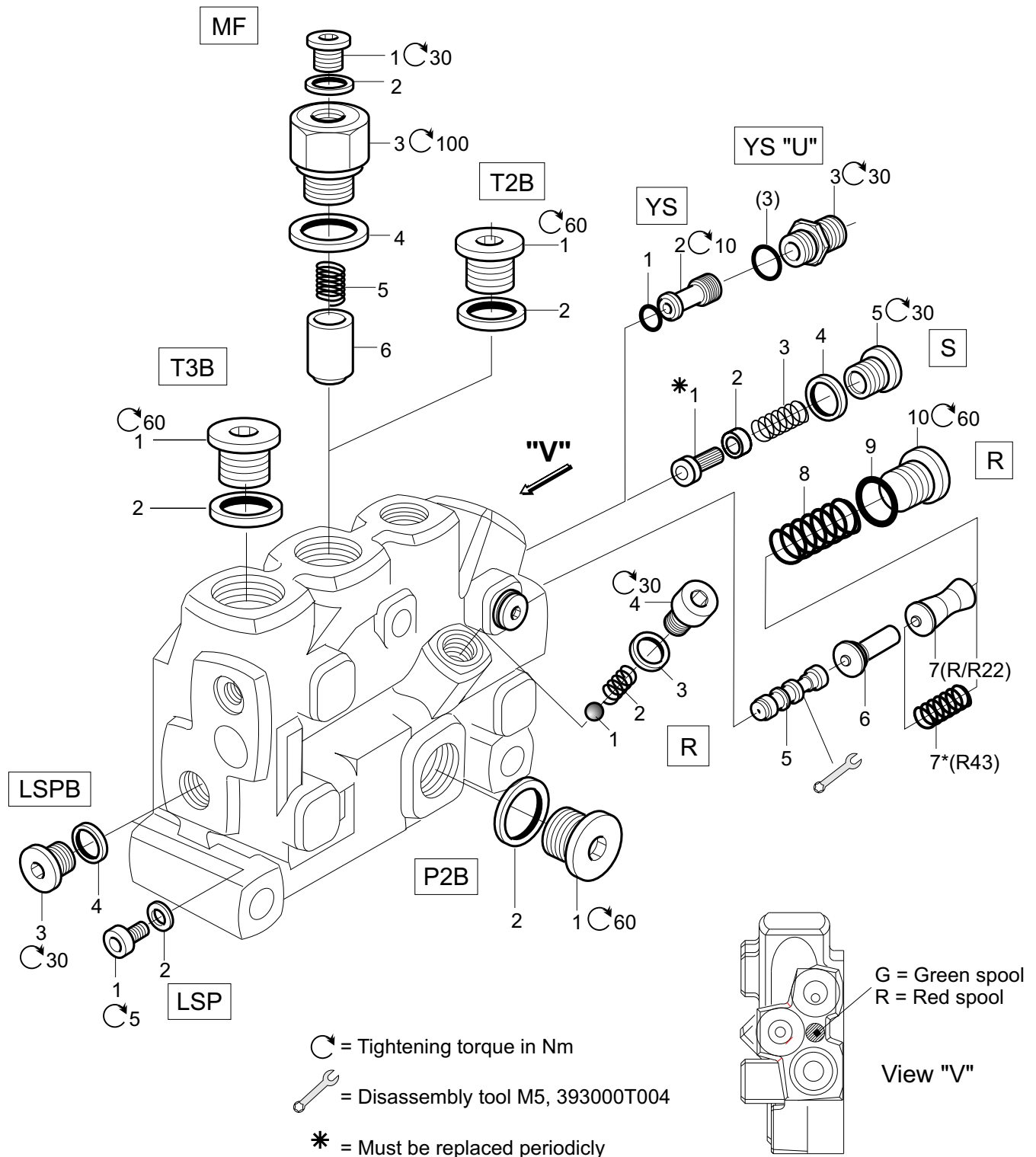
= Socket head

= Hexagon

= Sixpoint socket

Code	Part#	Description	Remarks/Items
LSP	393000K923	Open LS port	4, 5 (6 and 7 cannot be replaced)
LSPX	393000K924	LS port plugged	8
P2B	393000K061	P2 port blocked, BSP	9
P2B	393000K062	P2 port blocked, UNF	9
T2B	393000K043	T2 port blocked, BSP	10
T2B	393000K044	P2 port blocked, UNF	10
PS	398000K076	PS port blocked, BSP	11
PS	393000K058	PS port blocked, UNF	11
TPX	393000K924	TP port blocked, BSP	12
TPX	393000K925	TP port blocked, UNF	12
-	393000K941	Tie-rod kit, 1 spool valve	1
-	393000K942	Tie-rod kit, 2 spool valve	1
-	393000K943	Tie-rod kit, 3 spool valve	1
-	393000K944	Tie-rod kit, 4 spool valve	1
-	393000K945	Tie-rod kit, 5 spool valve	1
-	393000K946	Tie-rod kit, 6 spool valve	1
-	393000K947	Tie-rod kit, 7 spool valve	1
-	393000K948	Tie-rod kit, 8 spool valve	1
-	393000K950	Tie-rod kit, 9 spool valve	1
-	393000K951	Tie-rod kit, 10 spool valve	1
-	393000K952	Tie-rod kit, 11 spool valve	1
-	393000K953	Tie-rod kit, 12 spool valve	1
			<i>Tie rod kits for Combo inlet, pls see page 39</i>
-	393000K926	Nut kit	2, 3
-	393000K824	Bracket kit	Pls see page 39

Accessories



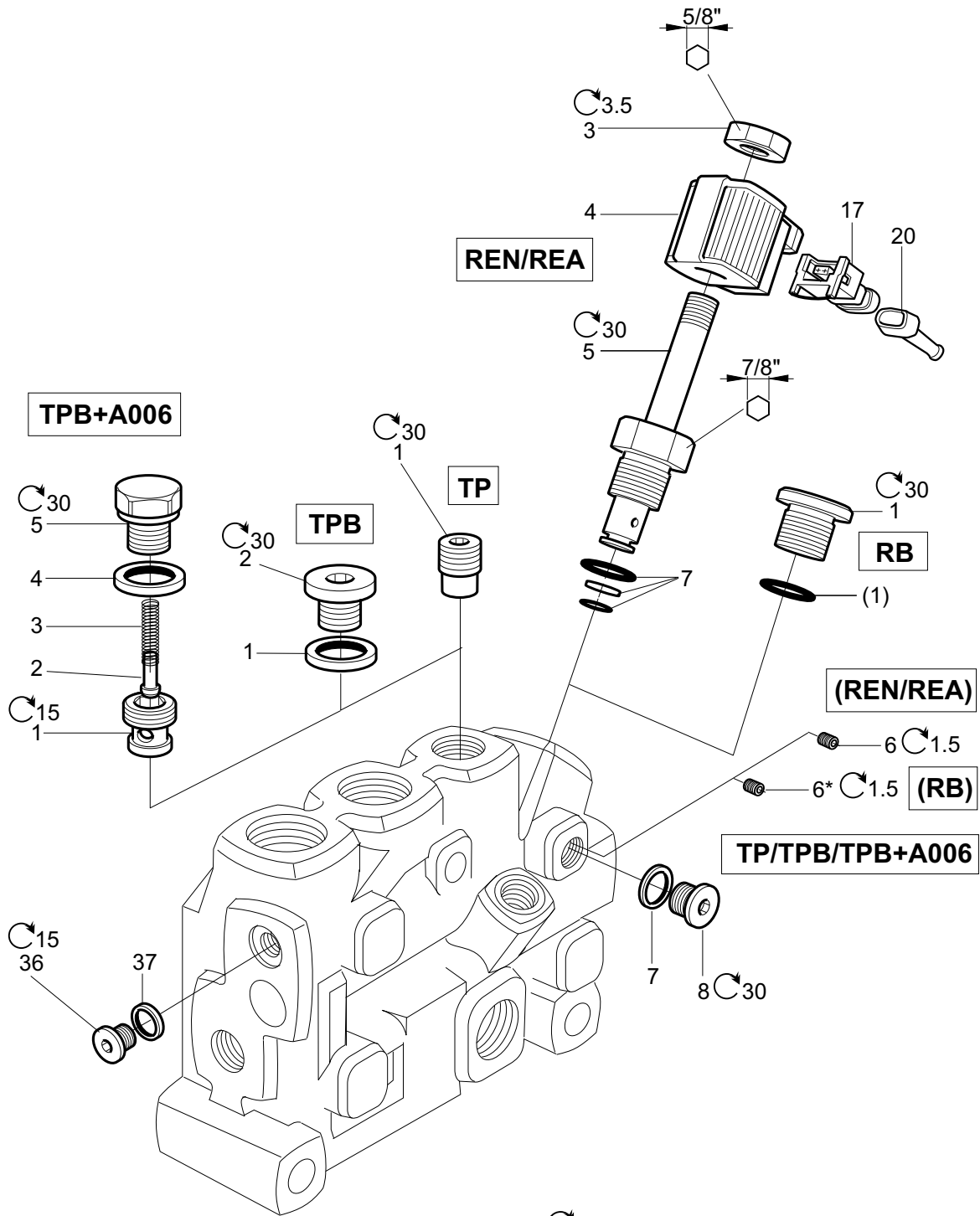
Outlet (U) Section

**Spare Parts List
Series L90LS**

Code	Part#	Description	Remarks/Items
LSP	393000K055	LS port open	1, 2
LSPB	393000K057	LS port plugged (BSP)	3, 4
LSPB	393000K058	LS port plugged (UNF)	3, 4
P2B	393000K061	Pump conn. P2 plugged (BSP)	1, 2
P2B	393000K062	Pump conn. P2 plugged (UNF)	1, 2
T2B/T3B	393000K065	Tank conn. T2/T3 plugged (BSP)	1, 2
T2B/T3B	393000K066	Tank conn. T2/T3 plugged (UNF)	1, 2
MF	393000K067	Counter press. valve, factory aet (BSP)	1, 2, 3, 4, 5, 6
MF	393000K068	Counter press. valve, factory aet (UNF)	1, 2, 3, 4, 5, 6
MF + A007	393000K602	(MFwith drainage, BSP)	1, 2, 3, 4, 5, 6
MF + A007	393000K603	(MFwith drainage, UNF)	1, 2, 3, 4, 5, 6
R(35)	393000K073	Pilot supply reducer, size Green	1, 2, 3, 4, 5, 7, 8, 9, 10
R(35)	393000K473	Pilot supply reducer, size Red , 35 bar	1, 2, 3, 4, 5, 7, 8, 9, 10
R22	393000K537	Pilot supply reducer, size Green	1, 2, 3, 4, 5, 7, 8, 9, 10
R22	393000K538	Pilot supply reducer, size Red , 22 bar	1, 2, 3, 4, 5, 7, 8, 9, 10
R43	393000U150	Pilot supply reduc. size Green , 43 bar	1, 2, 3, 4, 5, 6, 7*, 8, 9, 10
S	393000K074	Pilot supply strainer	1, 2, 3, 4, 5
YS	393000K075	Connect. for external strainer, (BSP)	1, 2
YS	393000K076	Connect. for external strainer, (UNF)	1, 2, 3



Accessories

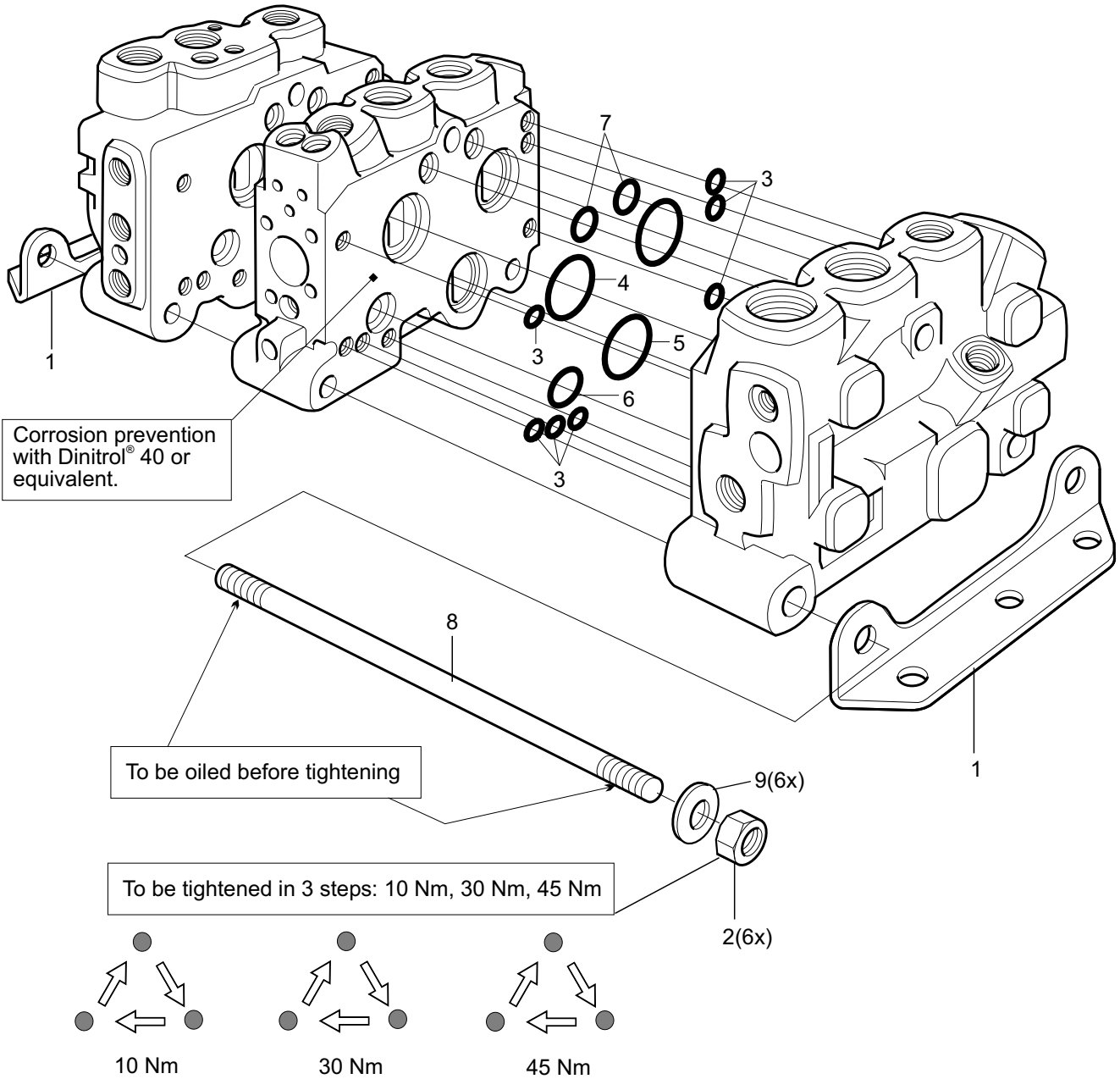


Spare Parts List
Series L90LS

Outlet (U) Section

Code	Part#	Description	Remarks/Items
TP	393000K077	External T, pilot drain, (BSP)	1, 7, 8
TP	393000K078	External T, pilot drain, (UNF)	1, 7, 8
TPB	393000K079	TP connection plugged, (BSP)	1, 2, 7, 8
TPB	393000K080	TP connection plugged, (UNF)	1, 2, 7, 8
TPB + A006	393000K599	TPB with conn. via check valve, (BSP)	1, 2, 3, 4, 5, 7, 8 (new design)
TPB + A006	393000K601	TPB with conn. via check valve, (UNF)	1, 2, 3, 4, 5, 7, 8 (new design)
TPB + A006	9128 3777 04	Orifice 0.45 (REA, REN)	6
TPB + A006	0190 1167	Plug (RB)	6*
REN	393000K254	Lever disengagement, 12VDC, (BSP)	1, 2, 3, 4, 5, 6, 7, 36, 37
REN	393000K255	Lever disengagement, 24VDC, (BSP)	1, 2, 3, 4, 5, 6, 7, 36, 37
REN	393000K256	Lever disengagement, 12VDC, (UNF)	1, 2, 3, 4, 5, 6, 7, 36, 37
REN	393000K257	Lever disengagement, 24VDC, (UNF)	1, 2, 3, 4, 5, 6, 7, 36, 37
REA	393000K258	Lever disengagement, 12VDC, (BSP)	1, 2, 3, 4, 5, 6, 7, 36, 37
REA	393000K259	Lever disengagement, 24VDC, (BSP)	1, 2, 3, 4, 5, 6, 7, 36, 37
REA	393000K260	Lever disengagement, 12VDC, (UNF)	1, 2, 3, 4, 5, 6, 7, 36, 37
REA	393000K261	Lever disengagement, 24VDC, (UNF)	1, 2, 3, 4, 5, 6, 7, 36, 37
REN/REA	3762519	Coil, 12 VDC	4
REN/REA	3762520	Coil, 24 VDC	4
REN/REA	393000K821	Seal kit REN/REA solenoid	1
RB	393000K262	REN/REA cavity plugged, (UNF)	1(1), 6*, 36, 37
REN/REA	393000K822	Connector, kit for 1 solenoid	17, 20
REN/REA	393000K825	Connector, kit for 10 solenoids	17, 20
REN/REA	393000K826	Connector, kit for 50 solenoids	17, 20





Code	Part#	Description	Remarks/Items
-	393000K824	Bracket kit	1(2x), 2(6x), 9(6x)
-	393000K820	Intersection seal kit	3(7x), 4(2x), 5, 6, 7(2x)
-	393000K001	Tie rod kit, 1 section valve, 162 mm	2(6x), 8(3x), 9(6x)
-	393000K002	Tie rod kit, 2 section valve, 203 mm	2(6x), 8(3x), 9(6x)
-	393000K003	Tie rod kit, 3 section valve, 243 mm	2(6x), 8(3x), 9(6x)
-	393000K004	Tie rod kit, 4 section valve, 283 mm	2(6x), 8(3x), 9(6x)
-	393000K005	Tie rod kit, 5 section valve, 324 mm	2(6x), 8(3x), 9(6x)
-	393000K006	Tie rod kit, 6 section valve, 364 mm	2(6x), 8(3x), 9(6x)
-	393000K007	Tie rod kit, 7 section valve, 404 mm	2(6x), 8(3x), 9(6x)
-	393000K008	Tie rod kit, 8 section valve, 444 mm	2(6x), 8(3x), 9(6x)
-	393000K009	Tie rod kit, 9 section valve, 485 mm	2(6x), 8(3x), 9(6x)
-	393000K010	Tie rod kit, 10 section valve, 525 mm	2(6x), 8(3x), 9(6x)
-	393000K729	Tie rod kit, 11 section valve, 573 mm	2(6x), 8(3x), 9(6x)

Tie rod kits Combo inlet/L90LS MU outlet		Tie rod kits Combo inlet/L90LS U outlet	
Part #	Description	Part #	Description
393000U537	Tie rod kit, MU outlet, L90LS 1 spool sect.	393000U577	Tie rod kit, U outlet, L90LS 1 spool sect.
393000K941	Tie rod kit, MU outlet, L90LS 2 spool sect.	393000U835	Tie rod kit, U outlet, L90LS 2 spool sect.
393000K942	Tie rod kit, MU outlet, L90LS 3 spool sect.	393000U836	Tie rod kit, U outlet, L90LS 3 spool sect.
393000K943	Tie rod kit, MU outlet, L90LS 4 spool sect.	393000U837	Tie rod kit, U outlet, L90LS 4 spool sect.
393000K944	Tie rod kit, MU outlet, L90LS 5 spool sect.	393000U838	Tie rod kit, U outlet, L90LS 5 spool sect.
393000K945	Tie rod kit, MU outlet, L90LS 6 spool sect.	393000U839	Tie rod kit, U outlet, L90LS 6 spool sect.
393000K946	Tie rod kit, MU outlet, L90LS 7 spool sect.	393000U840	Tie rod kit, U outlet, L90LS 7 spool sect.
393000K947	Tie rod kit, MU outlet, L90LS 8 spool sect.	393000U841	Tie rod kit, U outlet, L90LS 8 spool sect.
393000K948	Tie rod kit, MU outlet, L90LS 9 spool sect.	393000U842	Tie rod kit, U outlet, L90LS 9 spool sect.
393000K950	Tie rod kit, MU outlet, L90LS 10 spool sect.	393000U843	Tie rod kit, U outlet, L90LS 10 spool sect.
393000K951	Tie rod kit, MU outlet, L90LS 11 spool sect.	393000U402	Tie rod kit, U outlet, L90LS 11 spool sect.
393000K952	Tie rod kit, MU outlet, L90LS 12 spool sect.	393000U403	Tie rod kit, U outlet, L90LS 12 spool sect.
393000K954	Bracket, washers, nuts 1, 2(3x), 9(3x)	393000K954	Bracket, washers, nuts 1, 2(3x), 9(3x)

Hydraulics Group Sales Offices

Europe

Austria

Wiener Neustadt

Tel: +43 (0)2622 23501

Fax: +43 (0)2622 66212

Belgium

Nivelles

Tel: +32 (0)67 280 900

Fax: +32 (0)67 280 999

Czech Republic

Prague

Tel: +420 2 830 85 224

Fax: +420 2 830 85 360

Denmark

Ballerup

Tel: +45 4356 0400

Fax: +45 4373 8431

Finland

Vantaa

Tel: +358 (0)9 4767 31

Fax: +358 (0)9 4767 3200

France

Contamine-sur-Arve

Tel: +33 (0)450 25 80 25

Fax: +33 (0)450 03 67 37

Germany

Kaarst

Tel: +49 (0)2131 4016 0

Fax: +49 (0)2131 4016 9199

Hungary

Budapest

Tel: +36 (06)1 220 4155

Fax: +36 (06)1 422 1525

Ireland

Dublin

Tel: +353 (0)1 293 9999

Fax: +353 (0)1 293 9900

Italy

Corsico (MI)

Tel: +39 02 45 19 21

Fax: +39 02 4 47 93 40

The Netherlands

Oldenzaal

Tel: +31 (0)541 585000

Fax: +31 (0)541 585459

Norway

Ski

Tel: +47 64 91 10 00

Fax: +47 64 91 10 90

Poland

Warsaw

Tel: +48 (0)22 863 49 42

Fax: +48 (0)22 863 49 44

Portugal

Leca da Palmeira

Tel: +351 22 9997 360

Fax: +351 22 9961 527

Slovakia

Ref. Czech Republic

Spain

Madrid

Tel: +34 91 675 73 00

Fax: +34 91 675 77 11

Sweden

Spånga

Tel: +46 (0)8 597 950 00

Fax: +46 (0)8 597 951 10

United Kingdom

Warwick

Tel: +44 (0)1926 317 878

Fax: +44 (0)1926 317 855

International

Australia

Castle Hill

Tel: +61 (0)2-9634 7777

Fax: +61 (0)2-9899 6184

Canada

Milton, Ontario

Tel: +1 905-693-3000

Fax: +1 905-876-0788

China

Beijing

Tel: +86 10 6561 0520

Fax: +86 10 6561 0526

Asia Pacific Group

Hong Kong, Kowloon

Tel: +852 2428 8008

Fax: +852 2425 6896

India

Mumbai

Tel: +91 22 7907081

Fax: +91 22 7907080

Japan

Tokyo

Tel: +(81) 3 6408 3900

Fax: +(81) 3 5449 7201

Latin America Group

Brazil

Tel: +55 12 3954-5100

Fax: +55 12 3954-5266

South Africa

Kempton Park

Tel: +27 (0)11-961 0700

Fax: +27 (0)11-392 7213

USA

Cleveland (industrial)

Tel: +1 216-896-3000

Fax: +1 216-896-4031

Lincolnshire (mobile)

Tel: +1 847-821-1500

Fax: +1 847-821-7600

Parker Hannifin is the world's premier supplier of motion and control systems and solutions, with sales and manufacturing facilities throughout the world. For product information and details of your nearest Parker sales office, visit us at www.parker.com/euro_mcd or call free on 00800 2727 5374.



Publication No HY17-8561/UK

© Copyright 2004
Parker Hannifin Corporation
All rights reserved.