



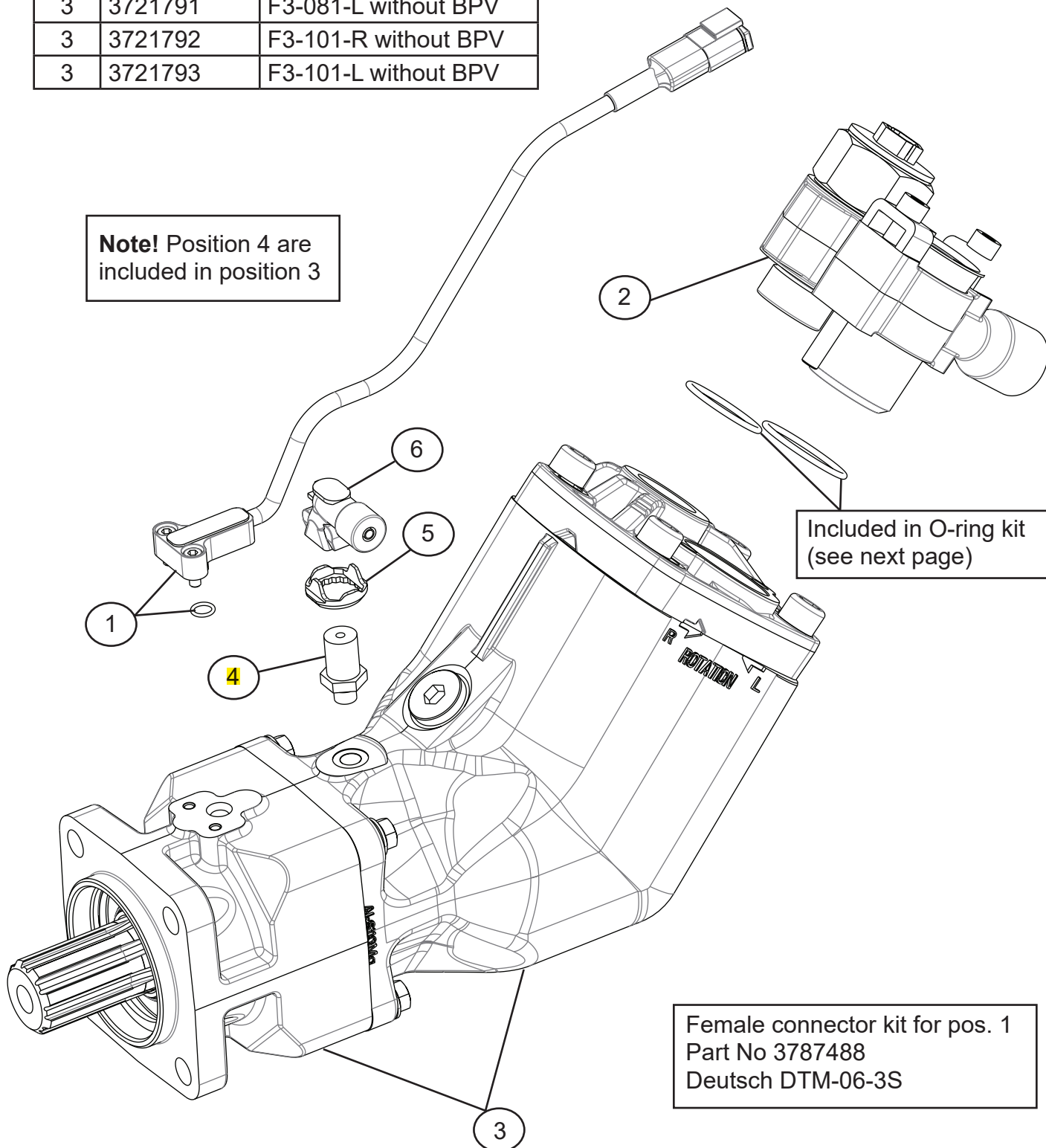
Bulletin MSG30-5522-M1/UK

Spare Parts Series F3

Effective: October, 2020
Supersedes: May, 2020



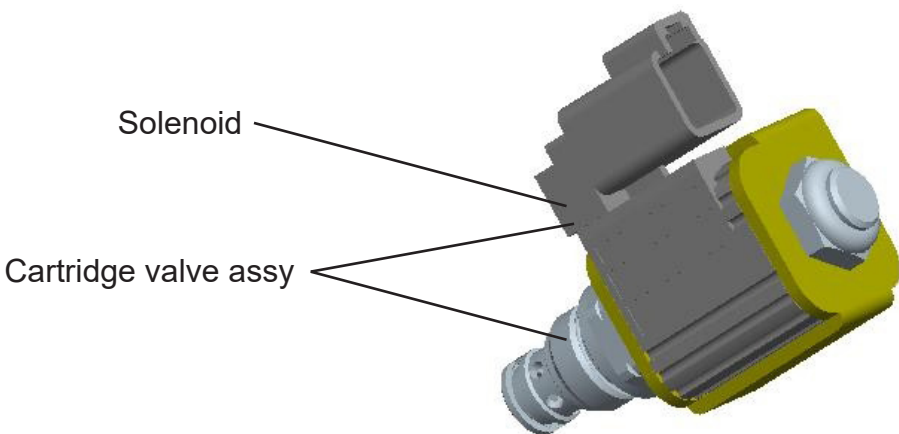
Pos	Part Number	Description	Pos	Part Number	Description
1	3789344	Inductive sensor	4	3723608	Swivel with restrictor
2	3787203	By-pass valve 24V	5	3784617	Lockring
2	3787204	By-pass valve 12V	6	3784618	Air connection
3	3721790	F3-081-R without BPV			
3	3721791	F3-081-L without BPV			
3	3721792	F3-101-R without BPV			
3	3721793	F3-101-L without BPV			



Note! Position 4 are included in position 3

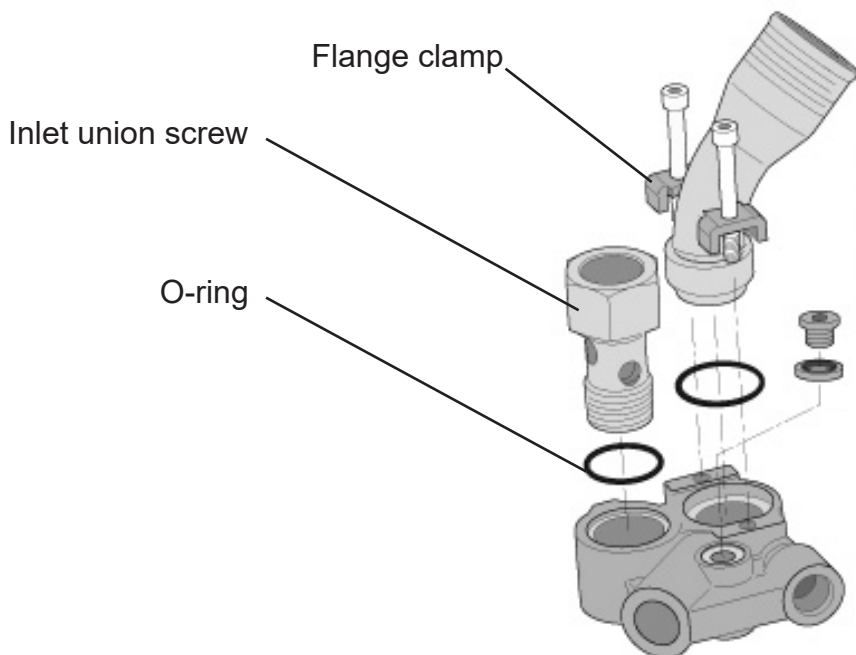
Included in O-ring kit (see next page)

Female connector kit for pos. 1
 Part No 3787488
 Deutsch DTM-06-3S



Female connector kit
Part No 3787488

Part No	Description	Remarks
3787496	Solenoid 24V	Incl. new connector
3787497	Solenoid 12V	Incl. new connector
3787494	Cartridge valve assy 24V	
3787495	Cartridge valve assy 12V	
3785948	Nut for cartridge valve	



Part No	Description	Remarks
3781094	Inlet union screw	F1/F3-81, -101
3780641	O-ring kit	For both F1, F2 and F3 (all sizes)
3782439	Flange clamp kit	For BPV F1, F2 and F3



Parker Hannifin
Pump & Motor Division Europe
Flygmotorvägen 2
SE-461 82 Trollhättan Sweden
Tel: +46 (0)520 40 45 00
www.parker.com/PMDE