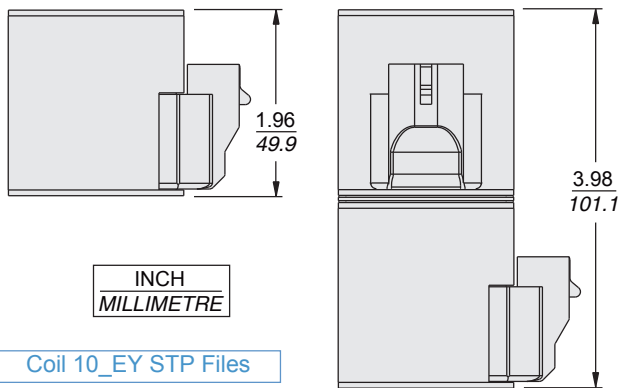
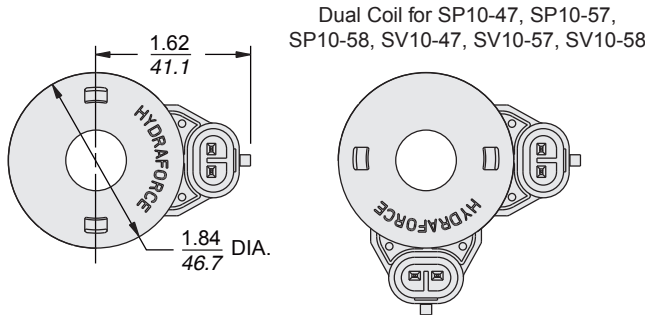


Series E Environmental Coils

10-SIZE SERIES E COILS (Also for use on 12, 16, 20, 38 and 58 size poppet valves and 90-size spool valves)

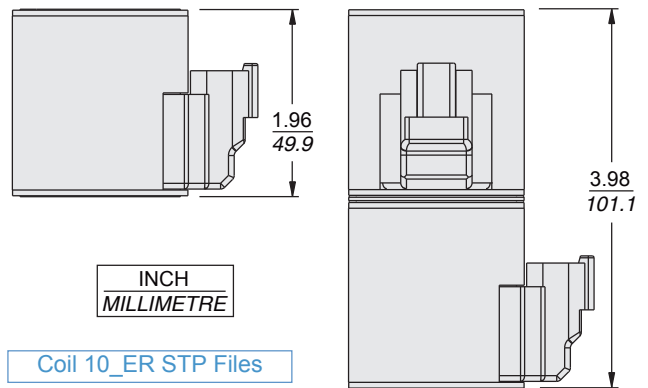
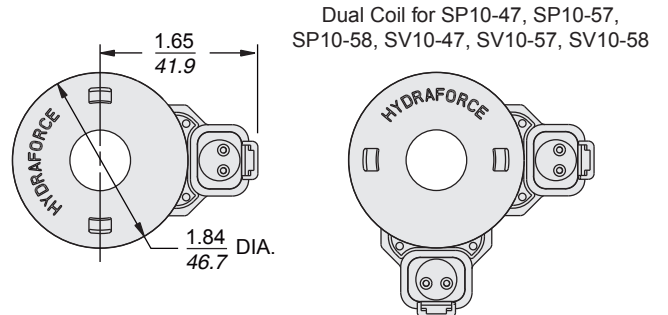


[Coil 10_EY STP Files](#)

EY

IP69K Rated 10-Size Coil
Thermal Shock Dunk Test Rated Coil
Metri-Pack® 150 Connector

Mating Connector: Delphi Packard No. 12052641; HF Part No. 6110119



[Coil 10_ER STP Files](#)

ER

IP69K Rated 10-Size Coil
Thermal Shock Dunk Test Rated Coil
Deutsch DT04-2P Connector

Mating Connector: Deutsch No. DT06-2S; HF Part No. 4001417

EY Coil Part No.	EY/Z* Coil Part No.	ER Coil Part No.	ER/Z* Coil Part No.	Operating Voltage	Resistance at 20°C	Initial Current Draw	Power	Coil Weight
4303510	4303910	4303710	4304110	10 VDC	5.0 ohms	2.0 amps	20.0 watts	408 g. (14.4 oz.)
4303512	4303912	4303712	4304112	12 VDC	7.1 ohms	1.7 amps	20.5 watts	408 g. (14.4 oz.)
4303520	—	4303720	4304120	20 VDC	19.1 ohms	1.0 amps	19.1 watts	408 g. (14.4 oz.)
4303524	4303924	4303724	4304124	24 VDC	28.5 ohms	0.8 amps	18.2 watts	408 g. (14.4 oz.)

* Models with Zener Diode

Please note: Electrical specifications for Series E coils differ from those for standard HydraForce coils. (Refer to page 3.200.1 for standard coil specifications.)

