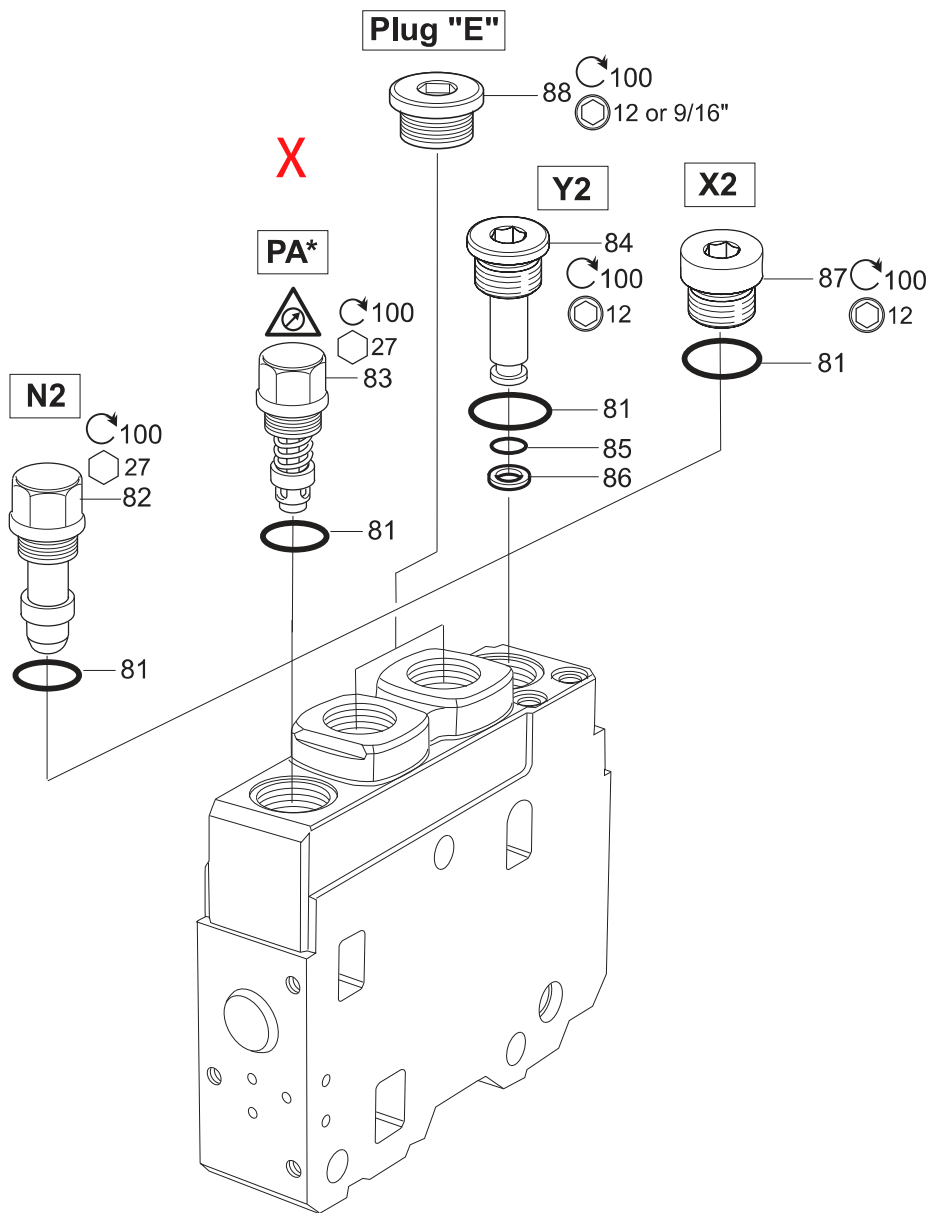


PA, Y2, N2, X2, A008



See Customer Specification					
Code	Pos	Part Std	Part A002	Description	Items
50 (PA)	76A/76B	9120029904	9120029954	Port relief valve, PLC185- 50-20, (bar at 20 l/min)	83 [81] ▲
63 (PA)	76A/76B	9120029905	9120029955	Port relief valve, PLC185- 63-20, (bar at 20 l/min)	83 [81] ▲
80 (PA)	76A/76B	9120029906	9120029956	Port relief valve, PLC185- 80-20, (bar at 20 l/min)	83 [81] ▲
100 (PA)	76A/76B	9120029907	9120029957	Port relief valve, PLC185-100-20, (bar at 20 l/min)	83 [81] ▲
125 (PA)	76A/76B	9120029908	9120029958	Port relief valve, PLC185-125-20, (bar at 20 l/min)	83 [81] ▲
140 (PA)	76A/76B	9120029909	9120029959	Port relief valve, PLC185-140-20, (bar at 20 l/min)	83 [81] ▲
160 (PA)	76A/76B	9120029910	9120029960	Port relief valve, PLC185-160-20, (bar at 20 l/min)	83 [81] ▲
175 (PA)	76A/76B	9120029911	9120029961	Port relief valve, PLC185-175-20, (bar at 20 l/min)	83 [81] ▲
190 (PA)	76A/76B	9120029912	9120029962	Port relief valve, PLC185-190-20, (bar at 20 l/min)	83 [81] ▲
210 (PA)	76A/76B	9120029913	9120029963	Port relief valve, PLC185-210-20, (bar at 20 l/min)	83 [81] ▲
230 (PA)	76A/76B	9120029914	9120029964	Port relief valve, PLC185-230-20, (bar at 20 l/min)	83 [81] ▲
240 (PA)	76A/76B	9120029924	9120029974	Port relief valve, PLC185-240-20, (bar at 20 l/min)	83 [81] ▲
250 (PA)	76A/76B	9120029915	9120029965	Port relief valve, PLC185-250-20, (bar at 20 l/min)	83 [81] ▲
260 (PA)	76A/76B	9120029923	9120029973	Port relief valve, PLC185-260-20, (bar at 20 l/min)	83 [81] ▲
270 (PA)	76A/76B	9120029926	9120029976	Port relief valve, PLC185-270-20, (bar at 20 l/min)	83 [81] ▲
280 (PA)	76A/76B	9120029916	9120029966	Port relief valve, PLC185-280-20, (bar at 20 l/min)	83 [81] ▲
300 (PA)	76A/76B	9120029917	9120029967	Port relief valve, PLC185-300-20, (bar at 20 l/min)	83 [81] ▲
310 (PA)	76A/76B	6760609	-	Port relief valve, PLC185-310-20, (bar at 20 l/min)	83 [81] ▲
320 (PA)	76A/76B	6760610	;	Port relief valve, PLC185-320-20, (bar at 20 l/min)	83 [81] ▲
330 (PA)	76A/76B	9120029918	9120029968	Port relief valve, PLC185-330-20, (bar at 20 l/min)	83 [81] ▲
350 (PA)	76A/76B	9120029919	9120029969	Port relief valve, PLC185-350-20, (bar at 20 l/min)	83 [81] ▲
365 (PA)	76A/76B	6760319	-	Port relief valve, PLC185-365-20, (bar at 20 l/min)	83 [81] ▲
380 (PA)	76A/76B	6760874	-	Port relief valve, PLC185-380-20, (bar at 20 l/min)	83 [81] ▲
400 (PA)	76A/76B	6760875	-	Port relief valve, PLC185-400-20, (bar at 20 l/min)	83 [81] ▲

Code	Pos	Part	Description	Remarks / Items
N2	76	9120092030	Check valve N2	82 [81]
Y2	76	9120100122	Cavity plug Y2	84 [81, 85, 86]
Y2	76	393000K804	Seal kit Y2	81, 85, 86
X2	76	9120099682	Plug X2	87 [81]
		6760193	Seal kit PA, N2, X2 (Set of 5)	81(5x)
A008	76	6760519	Y2 plug with small leakage	84 [81, 85, 86]
EA*, EB* + G	60 + 04	-	Plug "E", VSTI3/4EDCF	88
EA*, EB* + U	60 + 04	-	Plug "E", 12HP5ON-S	88