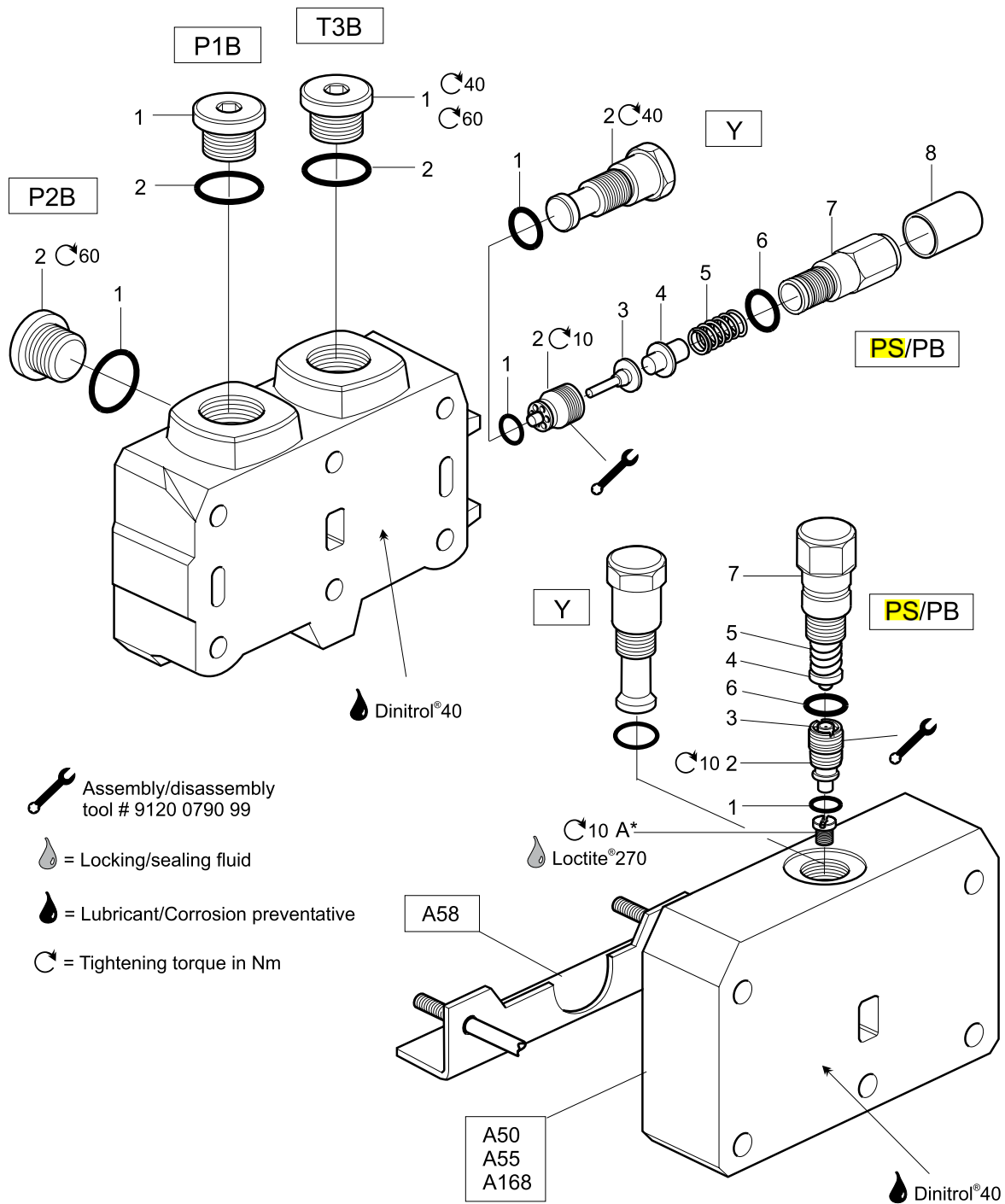


**Inlet Options**

Different options, PS, PB, Y, P1B etc.

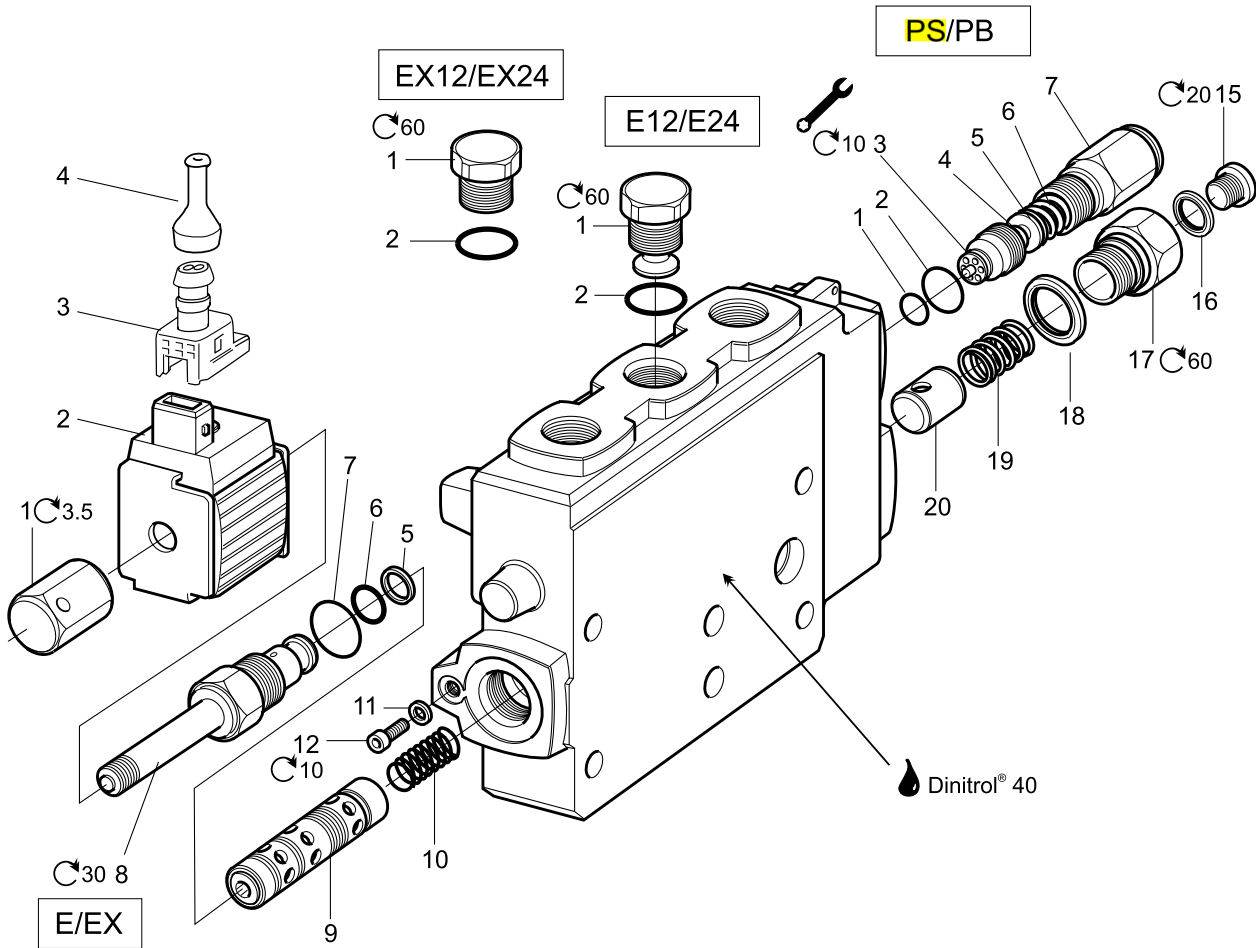


Code	Part#	Description	Remarks/Items
P1B/P2B	9120 0791 70	P1/P2 connection plugged, BSP 3/8	Items 1, 2
P1B/P2B/T3B	9121 5460 03	Connections plugged, BSP 1/2	Items 1, 2
P1B/P2B/T3B	9121 5460 07	Connections plugged, 7/8-14 UNF	Items 1, 2
PS	9120 0790 91	Main relief valve, 70 - 150 bar	Items 1 - 7
PS	9120 0790 65	Main relief valve, 151 - 210 bar	Items 1 - 7
PS	9120 0790 92	Main relief valve, 211 - 300 bar	Items 1 - 7
PB	9124 9494	Sealing cap	Item 8
Y	9121 5500 07	Main relief cavity plugged	Items 1, 2
A50/A55/A168	9123 9814	Mounting bracket	
A*	9128 7787 04	Restrictor A50	
A*	9125 7316	Restrictor A55	
A*		Obsolete	



Inlet Options

Pump unloading inlet



☼ = Lubricant/Corrosion preventative

⌚ = Tightening torque in Nm

🔧 = Assembly/disassembly tool # 9120 0790 99

**Inlet Options**

**Spare Parts List  
HV07**

<b>Code</b>	<b>Part#</b>	<b>Description</b>	<b>Remarks/Items</b>
PS	9120 0790 91	Main relief valve, 70 - 150 bar	Items 1 - 7
<b>PS</b>	<b>9120 0790 65</b>	<b>Main relief valve, 151 - 210 bar</b>	<b>Items 1 - 7</b>
PS	9120 0790 92	Main relief valve, 211 - 300 bar	Items 1 - 7
PB	9124 9494	Sealing cap	See pages 2 - 3, 4a - 5a
E12/E24	9120 0996 11	Check valve	Items 1, 2
EX12/EX24	9120 0999 30	Plug	Items 1, 2
-	9120 0999 06	Counter pressure valve	Items 15, 16, 17, 18, 19, 20
E/EX	8231 1128 43	Solenoid valve	Item 8(1, 5, 6, 7)
E/EX	8231 6004 45	Seal kit, solenoid valve	Items 5, 6, 7
E12/EX12	3762 519	Coil, 12 VDC	Item 2
E24/EX24	3762 520	Coil, 24 VDC	Item 2
-	393000K822	Connector kit	Items 3, 4
-	3764 142	Spring	Item 10
-	9125 6300	O-ring	Item 11
-	980034	Screw	Item 12

