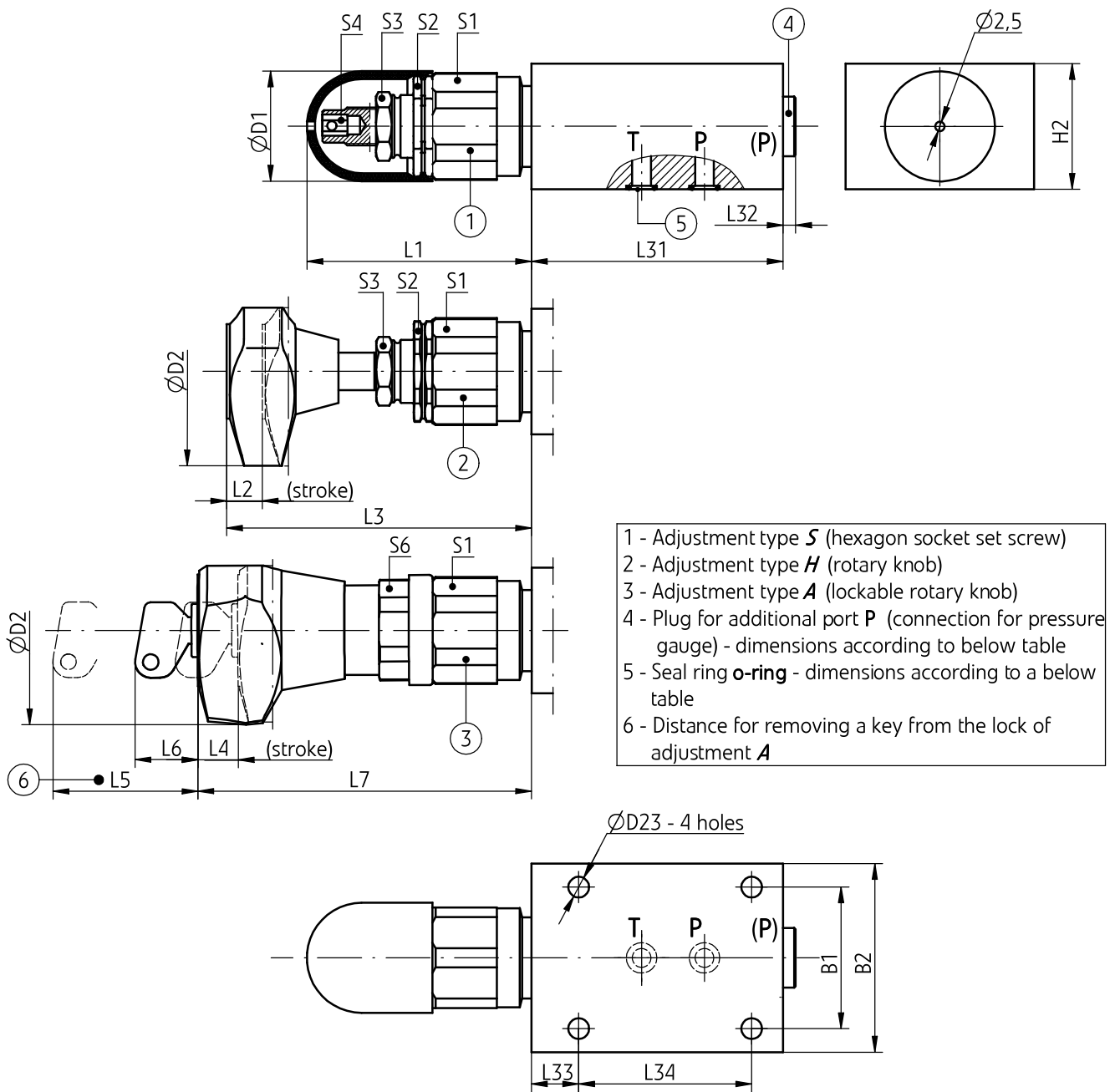


# OVERALL AND CONNECTION DIMENSIONS

versions for subplate mounting: DBD...6P...; 10P...; 20P...



- 1 - Adjustment type *S* (hexagon socket set screw)
- 2 - Adjustment type *H* (rotary knob)
- 3 - Adjustment type *A* (lockable rotary knob)
- 4 - Plug for additional port *P* (connection for pressure gauge) - dimensions according to below table
- 5 - Seal ring **o-ring** - dimensions according to a below table
- 6 - Distance for removing a key from the lock of adjustment *A*

valve version	o-ring pos. 5	B1	B2	φD1	φD2	φD23	H2	L1	L2	L3	L4	L5
DBD...6 P...	7 x 1,5 - 2 pcs/kit	45	60	34	60	6,6	40	72	11	95,5	11	46
DBD...10 P...	12,3 x 2,4 - 2 pcs/kit	60	80	38	60	9	60	68	11	91,5	11	46
DBD...20 P...	22 x 3 - 2 pcs/kit	70	100	48	60	9	70	65	11	87	11	46

valve version	L6	L7	L31	L32	L33	L34	S1	S2	S3	S4	S6	port (P)	weight [kg]
DBD...6 P...	18	106,5	80	4	15	55	32	30	19	6	30	G1/4	1,6
DBD...10 P...	18	102,5	100	4	20	70	36	30	19	6	30	G1/2	3,7
DBD...20 P...	18	98	135	5,5	20	100	46	36	19	6	30	G1	7