

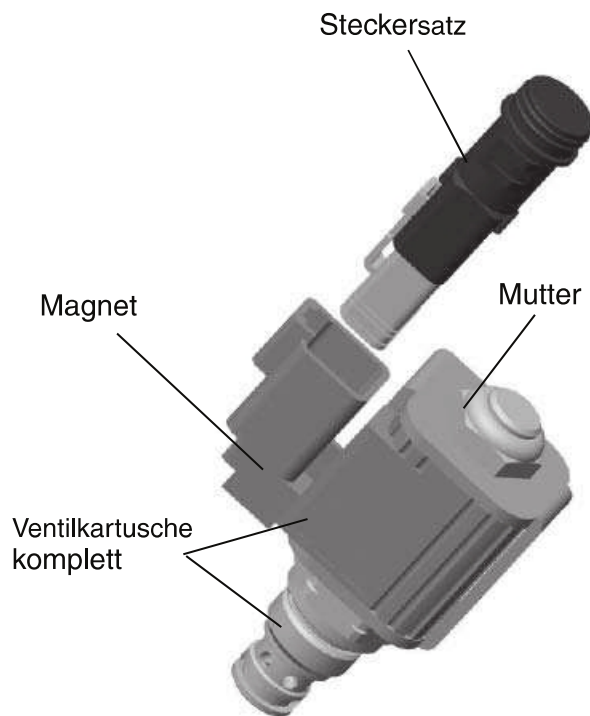
BPV-F1, -T1 und F2 Zubehör / Ersatzteile

Bestellnr.	Bezeichnung	Anmerkung
3787496	Magnet 24V	Inkl. neuer Stecker
3787497	Magnet 12V	Inkl. neuer Stecker
3787494	Ventilkartusche komplett 24V	Ohne Nothandbetätigung
3787495	Ventilkartusche komplett 12V	Ohne Nothandbetätigung
3785948	Mutter für Ventilkartusche	
3787488	Steckersatz	

Bestellnr.	Bezeichnung	Anmerkung
3788663	Ventilkartusche komplett 24V	Mit Nothandbetätigung

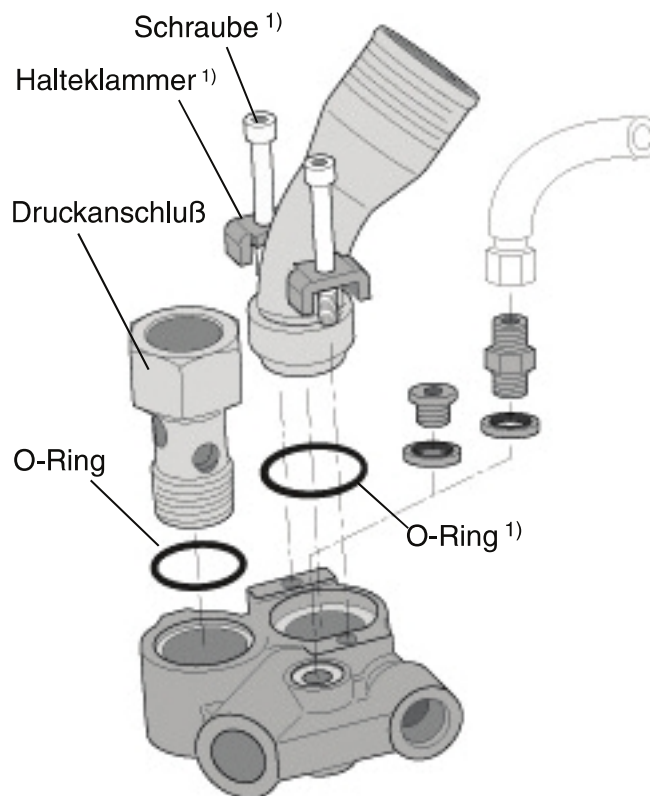
Achtung!

Das Bypass-Ventil gibt es in zwei Versionen - mit und ohne Nothandbetätigung.
 Magnetventilkartusche mit Nothandbetätigung kann nicht in Ventilgehäuse für Magnetventilkartusche ohne Nothandbetätigung und umgekehrt installiert werden.
ACHTUNG! Unterschiedliche Anschlußgewinde.



Bestellnr.	Bezeichnung	Anmerkung
3781480	Druckanschluß	F2 (alle Größe)
3781082	Druckanschluß	F1-25, -41, -51, -61 und T1-81
3781094	Druckanschluß	F1-81, -101 und T1-121
3780641	O-Ringsatz	Für F1, T1 und F2 (alle Größe)
3782439	Montagesatz Ansaugadapter ¹⁾	Für BPV F1 und F2

1) Montagesatz für Ansaugadapter auf Bypass-Ventil für F1, T1 und F2 (Der Montagesatz besteht aus den mit „1“ gekennzeichneten Teilen in der Explosionszeichnung).



Technical Information

CV

Check Valves

SH

Shuttle Valves

LM

Load/Motor Controls

FC

Flow Controls

PC

Pressure Controls

LE

Logic Elements

DC

Directional Controls

MV

Manual Valves

SV

Solenoid Valves

PV

Proportional Valves

CE

Coils & Electronics

BC

Bodies & Cavities

TD

Technical Data

General Description

2-Way Poppet Valves. For additional information see Technical Tips on pages SV1-SV6.

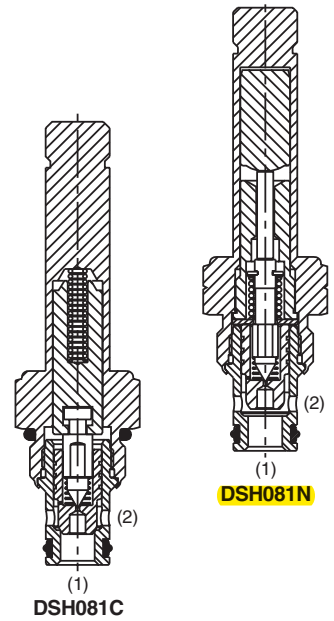
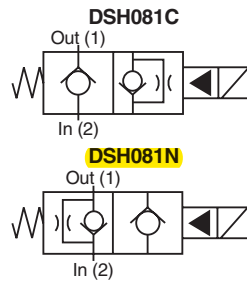


Features

- Replaceable, one piece encapsulated, coils with minimal amperage draw
- Variety of coil terminations and voltages
- Variety of manual override options available
- Fast response available, (CH and CHR) rated at 15 LPM (4.0 GPM)
- Polyurethane "D"-Ring eliminates need for backup rings
- Spherical poppet for low leakage
- Nylon inserted jam-nut provides secure holding in high vibration applications
- All external parts zinc plated

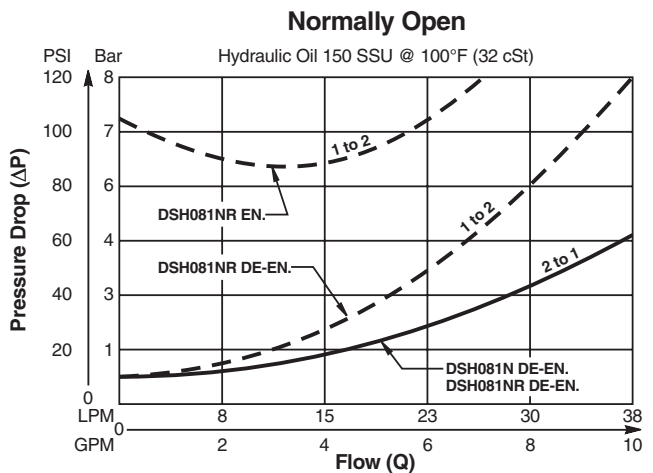
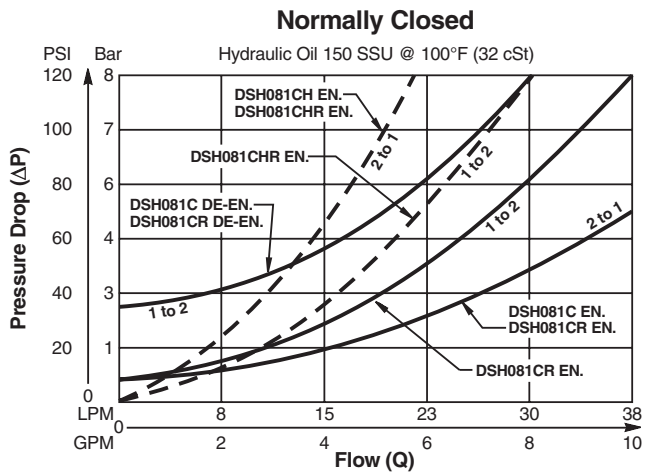
Specifications

Rated Flow (At 70 PSI ΔP)	30 LPM (8 GPM)												
Maximum Inlet Pressure	350 Bar (5000 PSI)												
Leakage at 150 SSU (32 cSt)	5 drops/min. (.33 cc/min.)												
Minimum Operating Voltage	85% of rated voltage at 20°C (72°F).												
Response Time	<table border="1"> <tr> <td></td> <td>Energized</td> <td>De-Energized</td> </tr> <tr> <td>C, CR</td> <td>50 ms</td> <td>50 ms</td> </tr> <tr> <td>CH, CHR</td> <td>30 ms</td> <td>50 ms</td> </tr> <tr> <td>N, NR</td> <td>50 ms</td> <td>40 ms</td> </tr> </table>		Energized	De-Energized	C, CR	50 ms	50 ms	CH, CHR	30 ms	50 ms	N, NR	50 ms	40 ms
	Energized	De-Energized											
C, CR	50 ms	50 ms											
CH, CHR	30 ms	50 ms											
N, NR	50 ms	40 ms											
Cartridge Material	All parts steel. All operating parts hardened steel.												
Operating Temp. Range/Seals	-45°C to +93.3°C ("D"-Ring) (-50°F to +200°F) -31.7°C to +121.1°C (Fluorocarbon) (-25°F to +250°F)												
Fluid Compatibility/Viscosity	Mineral-based or synthetic with lubricating properties at viscosities of 45 to 2000 SSU (6 to 420 cSt)												
Filtration	ISO Code 16/13, SAE Class 4 or better												
Approx. Weight	.11 kg (.25 lbs.)												
Cavity	C08-2 (See BC Section for more details)												
Form Tool	Rougher None Finisher NFT08-2F												

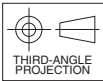
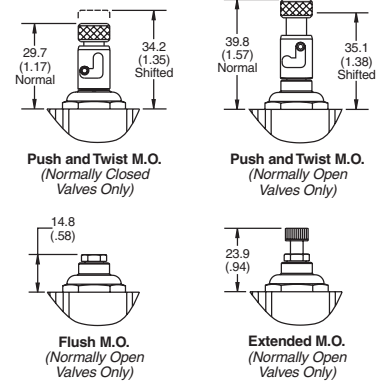
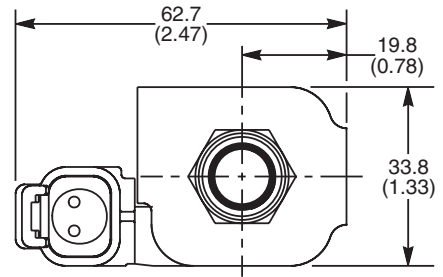
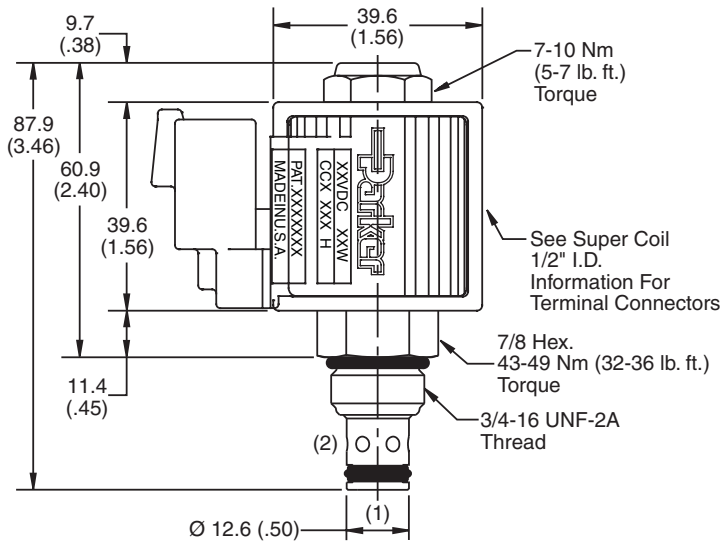


Performance Curves

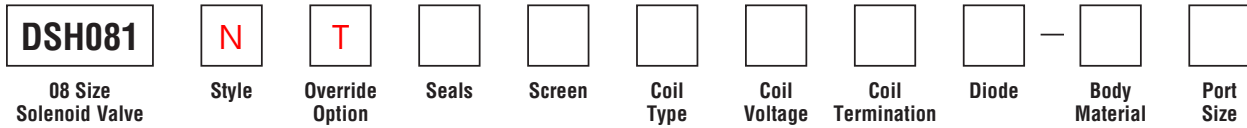
Pressure Drop vs. Flow (Through cartridge only)



Dimensions Millimeters (Inches)



Ordering Information



Code / Style	Diagram
C Normally Closed Metered reverse flow	
CH Normally Closed Metered reverse flow (Fast response)	
CHR Normally Closed Free reverse flow (Fast response)	
CR Normally Closed Free reverse flow	
N Normally Open Metered reverse flow	
NR Normally Open Free reverse flow	

Code	Override Options
Omit	None
E	Push Type with Extended Rod (N.O. Only)
M	Push Type with Flush Rod (N.O. Only)
T	Push & Twist (N.C.* & N.O.)

**Requires Super Coil*

Code	Seals / Kit No.
Omit	"D"-Ring / (SK08-2)
N	Nitrile / (SK08-2N)
V	Fluorocarbon / (SK08-2V)

Code	Screen
Omit	None
S	Screen

Code	Coil Type
Omit	Without Coil
SP*	Super Coil - 19 Watts

**Recommended*

Code	Coil Voltage
Omit	Without Coil
D012	12 VDC
D024	24 VDC
A120	120/110 VAC, 60/50 Hz
A240	240/220 VAC, 60/50 Hz

SP* Coil	Coil Termination
Omit	Without Coil
C	Conduit With Leads
D	DIN Plug Face
A	Amp Jr. Timer†
S	Dual Spade†
L	Dual Lead Wire†
LS	Sealed Lead Wire†
H	Molded Deutsch†

**Recommended †DC Only*

Code	Diode
Omit	None
R	Diode

Code	Body Material
Omit	Steel
A	Aluminum

Code	Port Size	Body Part No.
Omit	Cartridge Only	
4P	1/4" NPTF	(B08-2-*4P)
6P	3/8" NPTF	(B08-2-*6P)
4T	SAE-4	(B08-2-*4T)
6T	SAE-6	(B08-2-*6T)
6B	3/8" BSPG	(B08-2-*6B)

** Add "A" for aluminum, omit for steel.*