



S201 / S202 Directional Control Valve - 2-Way, 2-Position Poppet

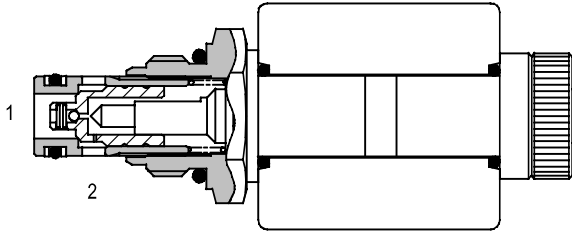
30 litres/min (8 US GPM) • 210 bar (3000 PSI)

S201

NORMALLY OPEN
(as shown)

S202

NORMALLY CLOSED



FEATURES

- High flow capacity with reduced space requirements.
- No dynamic seals.
- Standard valve bodies and common cavities.
- One-piece encapsulated coil with minimal amperage draw.
- Oil immersed armature solenoid.
- Various coil terminals and voltages.
- Coil interchangeability with all Series S2 valves.
- Manual override, seal variations and other options available.
- Sealed coil arrangement to protect stem from corrosion.
- Reversible coil without affecting performance.

COIL INFORMATION

(See Page 11-1021)

Part Number: C13-*-/14

Voltage available: 12, 24 VDC
110, 220 VAC*

* AC coils must be used with a rectifying connector.

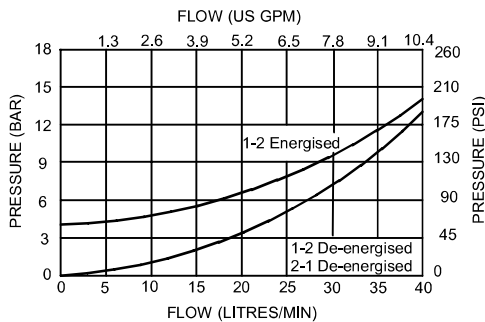
SPECIFICATIONS

Basic Model Code	S201 (N.O.)	S202 (N.C.)
Symbol		
Max. Working Pressure	210 bar (3000 psi)	
Flow Rating	30 litres/min (8 US GPM)	
Nominal flow (at Delta P = 5 bar (70 psi))	25 litres/min (6.5 US GPM)	
Internal Leakage	0.6 ml/min (10 dpm) 210 bar differential at 32 centistokes	
Temperature Range	-20 to +120°C (-4 to +248°F)	
Nominal Viscosity Range	15 to 250 centistokes	
Recommended Filtration	BS5540/4 18/13 (25 micron or better)	
Fluid	Compatible with most general purpose hydraulic fluids	
Seal Material	Standard nitrile with PTFE back up rings	
Seal Kit Number	SK1043 (Nitrile) SK1043V (Viton)	
Mounting Position	Unrestricted	
Cartridge Weight	0.125 kg (0.28 lbs)	
Coil Weight	0.2 kg (0.4 lbs)	
Cavity Number	A879 (See Section 17)	
Torque into Cavity	20 Nm (15 lbs ft)	
Electrical Data	See coil data sheet	
Line Body Material	Aluminium Alloy	

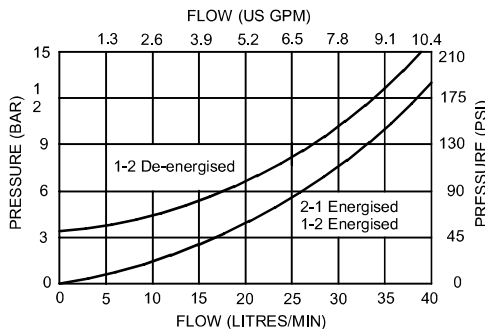
PRESSURE DROP v's FLOW

Viscosity = 32 cSt (150 SSU)

S201 (Normally Open)



S202 (Normally Closed)



Integrated Hydraulics Ltd

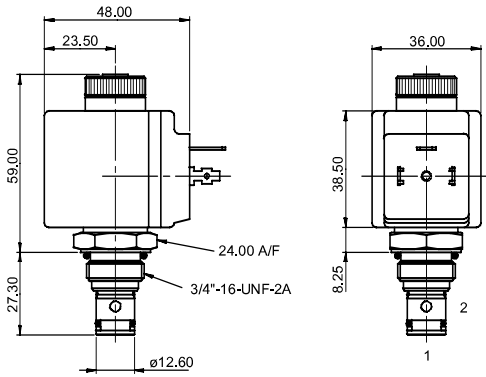
Collins Road, Heathcote Ind. Est., Warwick, CV34 6TF, UK.
Tel: +44 (0) 1926 881171 Fax: +44 (0) 1926 315729
Website: www.integratedhydraulics.com

Integrated Hydraulics Inc

7047 Spinach Drive, Mentor, Ohio 44060, USA
Tel: (440) 974 3171 Fax: (440) 974 3170
Website: www.integratedhydraulics.com

CARTRIDGE ONLY

BASIC CODE: S201 (Normally Open)

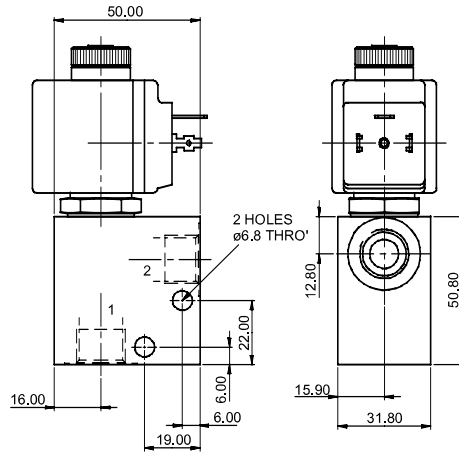


COMPLETE VALVE 1/4" 3/8" PORTS

BASIC CODE: S201 (Normally Open)

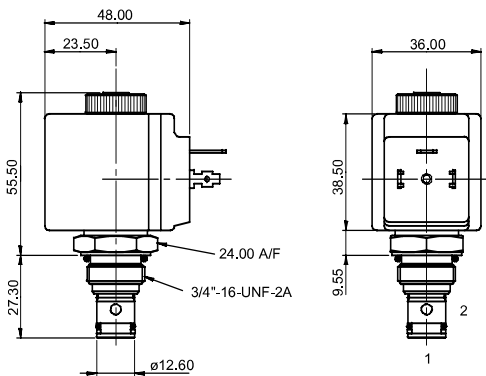
Body ONLY part numbers

BSP, aluminium	SAE, aluminium	BSP, steel	SAE, steel
1/4" A1485	3/8" A15676	3/8" A14175	3/8" A14843
3/8" A1043			



CARTRIDGE ONLY

BASIC CODE: S202 (Normally Closed)

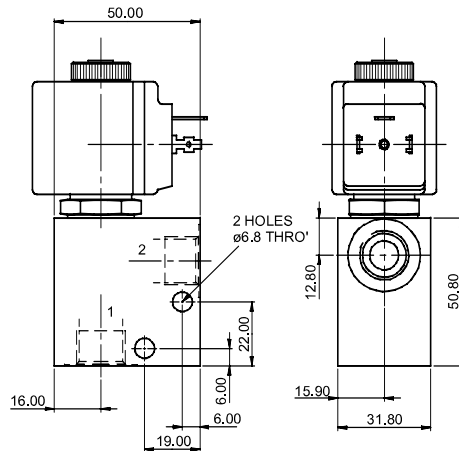


COMPLETE VALVE 1/4" 3/8" PORTS

BASIC CODE: S202 (Normally Closed)

Body ONLY part numbers

BSP, aluminium	SAE, aluminium	BSP, steel	SAE, steel
1/4" A1485	3/8" A15676	3/8" A14175	3/8" A14843
3/8" A1043			



Where measurements are critical request certified drawings

S202 N

ORDERING CODE EXAMPLE

S201 N H 24 3W

Basic Code

S201 = (normally open)

S202 = (normally closed)

Seals

N = Nitrile

V = Viton

Manual Override (consult factory for availability)

1 = Push and twist (S202 Only)

2 = Screw (S201 & S202)

Port Sizes

2W = 1/4" BSP

3W = 3/8" BSP

6T = 3/8" SAE

Voltage

12 = 12 VDC

24 = 24 VDC

110 = 110 VAC

220 = 220 VAC

Coil Termination

H = DIN43650

F = Flying Leads

DM = Deutsch Moulded

Other terminations available on request

We reserve the right to change specifications without notice