



S203 / S204 Directional Control Valve - 2-Way, 2-Position Poppet

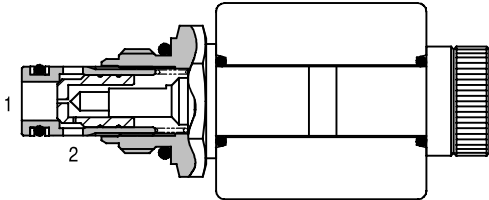
30 litres/min (8 US GPM) • 210 bar (3000 PSI)

S203

NORMALLY OPEN
(as shown)

S204

NORMALLY CLOSED



APPLICATION

To give on-off control of flows up to 30 litres/min (8 US GPM) and pressures up to 210 bar (3000 psi). Typical usage includes the control of actuators in a hydraulic system. This range has a larger flow capacity and lower pressure drop than the S205/S206 range and is more suitable in some applications for pilot and vent control of larger valves.

COIL INFORMATION

(See Page 11-1021)

Part Number: C13-*-/14

Voltage available: 12, 24 VDC
110, 220 VAC*

* AC coils must be used with a rectifying connector.

FEATURES

- High flow capacity with reduced space requirements.
- No dynamic seals.
- Standard valve bodies and common cavities.
- One-piece encapsulated coil with minimal amperage draw.
- Oil immersed armature solenoid.
- Various coil terminals and voltages.
- Coil interchangeability with all Series S2 valves.
- Manual override, seal variations and other options available.
- Sealed coil arrangement to protect stem from corrosion.

SPECIFICATIONS

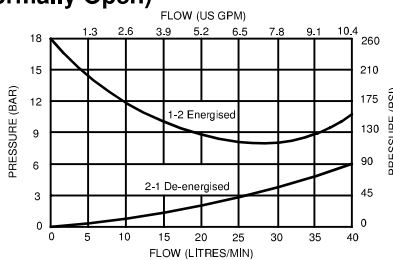
| Basic Model Code | S203 (N.O.) | S204 (N.C.) |
|--|---|-----------------|
| Symbol | | |
| Max. Working Pressure | 210 bar (3000 psi) | |
| Flow Rating | 30 litres/min (8 US GPM) | |
| Nominal Flow (at Delta P = 5 bar (70 psi)) | 25 litres/min (6.5 US GPM) | |
| Internal Leakage | 0.6 ml/min (10 dpm) 210 bar differential at 32 centistokes | |
| Temperature Range | -20 to +120°C (-4 to +248°F) | |
| Nominal Viscosity Range | 15 to 250 centistokes | |
| Recommended Filtration | BS5540/4 18/13 (25 micron or better) | |
| Fluid | Compatible with most general purpose hydraulic fluids | |
| Seal Material | Standard nitrile with PTFE back up rings | |
| Seal Kit Number | SK1043(Nitrile) | SK1043V (Viton) |
| Mounting Position | Unrestricted | |
| Cartridge Weight | 0.08 kg (0.18 lbs) | |
| Coil Weight | 0.2 kg (0.4 lbs) | |
| Cavity Number | A879 (See Section 17) | |
| Torque into Cavity | 22 Nm (15 lbs ft) | |
| Electrical Data | See coil data sheet | |
| Line Body Material | Aluminium Alloy | |

11

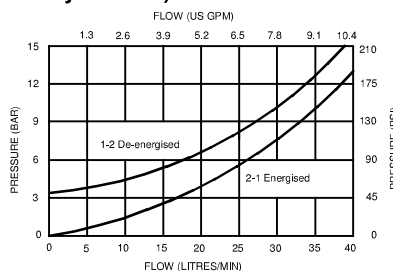
PRESSURE DROP v's FLOW

Viscosity = 32 cSt (150 SSU)

S203 (Normally Open)



S204 (Normally Closed)



Integrated Hydraulics Ltd

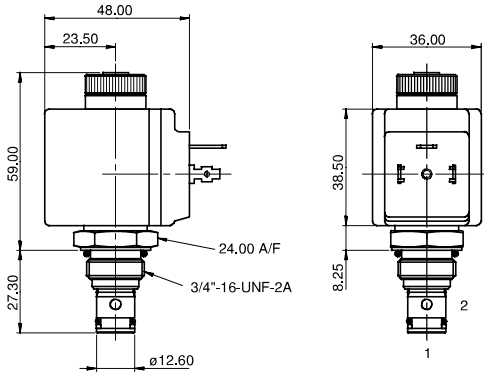
Collins Road, Heathcote Ind. Est., Warwick, CV34 6TF, UK.
Tel: +44 (0) 1926 881171 Fax: +44 (0) 1926 315729
Website: www.integratedhydraulics.com

Integrated Hydraulics Inc

7047 Spinach Drive, Mentor, Ohio 44060, USA
Tel: (440) 974 3171 Fax: (440) 974 3170
Website: www.integratedhydraulics.com

CARTRIDGE ONLY

BASIC CODE: **S203 (Normally Open)**

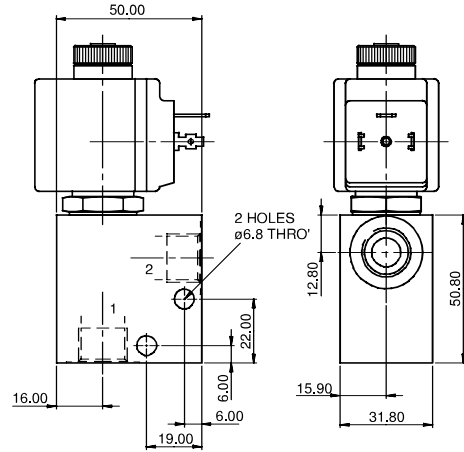


COMPLETE VALVE 1/4" 3/8" PORTS

BASIC CODE: **S203 (Normally Open)**

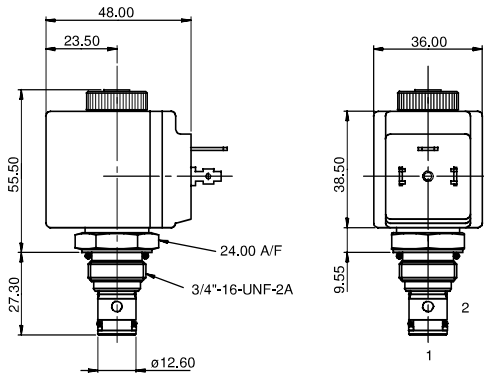
Body ONLY part numbers

| BSP, aluminium | | SAE, aluminium | |
|----------------|-------|----------------|--------|
| 1/4" | A1485 | 1/4" | A14842 |
| 3/8" | A1043 | 3/8" | A15676 |



CARTRIDGE ONLY

BASIC CODE: **S204 (Normally Closed)**

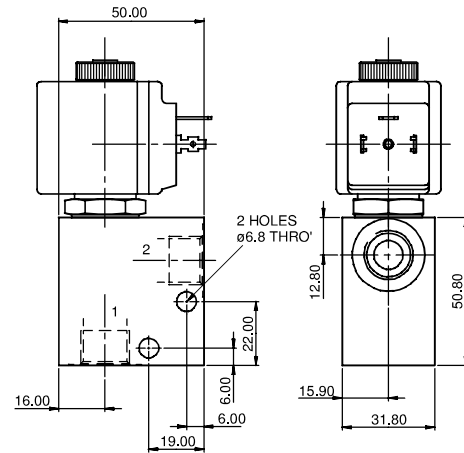


COMPLETE VALVE 1/4" 3/8" PORTS

BASIC CODE: **S204 (Normally Closed)**

Body ONLY part numbers

| BSP, aluminium | | SAE, aluminium | |
|----------------|-------|----------------|--------|
| 1/4" | A1485 | 1/4" | A14842 |
| 3/8" | A1043 | 3/8" | A15676 |



Where measurements are critical request certified drawings

ORDERING CODE EXAMPLE

S203 N 2 H 24 3W

Basic Code

S203 = (normally open)
S204 = (normally closed)

Seals

N = Nitrile
V = Viton

Manual Override (omit if not required)

1 = Push and twist (S204 Only)
2 = Screw (S203 & S204)
5 = Pull (S204 Only)

Port Sizes

2W = 1/4" BSP 4T = 1/4" SAE
3W = 3/8" BSP 6T = 3/8" SAE

Voltage

12 = 12 VDC 110 = 110 VAC
24 = 24 VDC 220 = 220 VAC

Coil Termination

H = DIN43650
F = Flying Leads
A = Junior Amp
DM = Deutsch Moulded
Other terminations available on request

We reserve the right to change specifications without notice