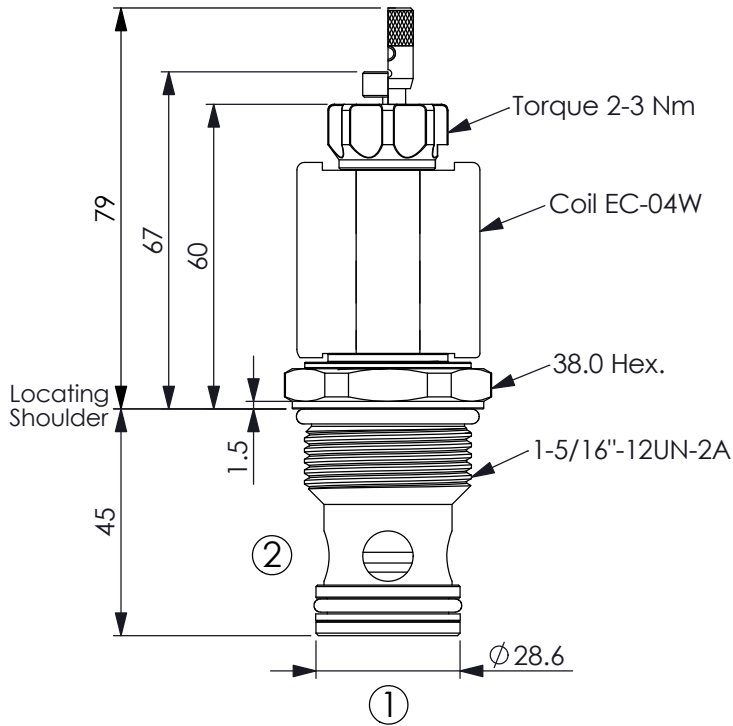
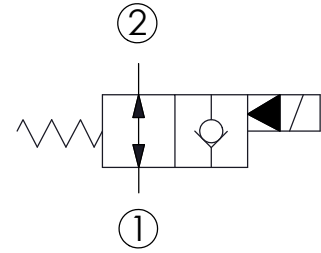


Ordering Code: **EP-16W-X-Y-Z-05**



UNIT:mm



### TECHNICAL DATA

Max. Operating pressure:	350 bar
Max. flow:	150 l/min
Cavity-Tooling:	16W-2
Installation torque:	80-100 Nm
Weight:	0.32 (Z=N,P) kg 0.35 (Z=T)

Fluids-Temperatures: -40 to 120 °C

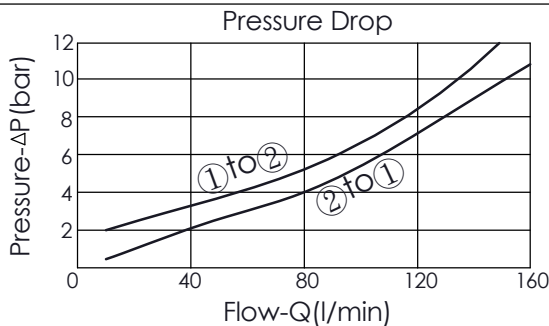
Internal Leakage Approximately:  
0.15 cc/minute  
(3 drops/minute) max. at 350 bar

Filtration: 25 µm nominal or better

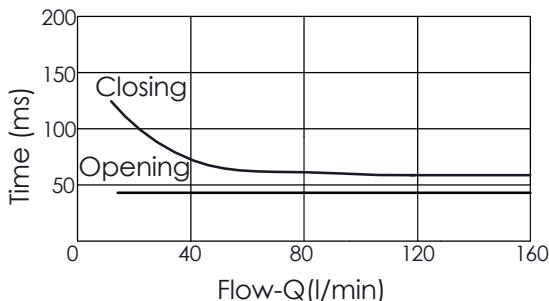
Minimum Voltage Required:  
90 % of nominal

Coils must be ordered separately

Mounting Position: unrestricted



The curve is only for reference.  
Please kindly contact Winner if you need detailed information.



X	STRUCTURE	
2A	2 Ports · 20 Watt. Coil ∅ 12.7 mm tube	

Y	OPERATION	
06	Normally-Open Reverse Flow De-Energized	

Z	OPTIONS	
N	Non-adjustable	
P	Push Style Manual Override	
T	Push and Twist Style Manual Override	