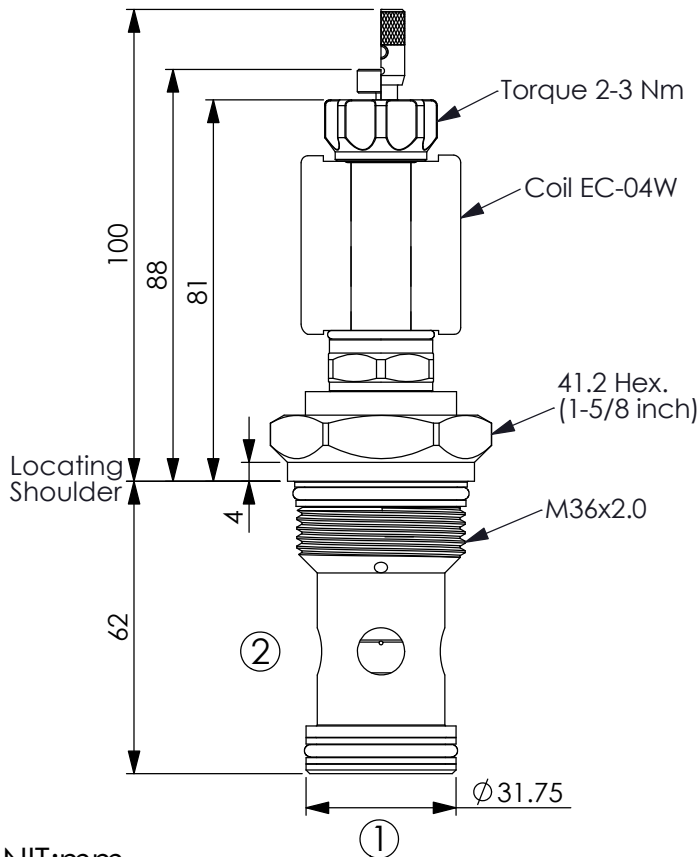
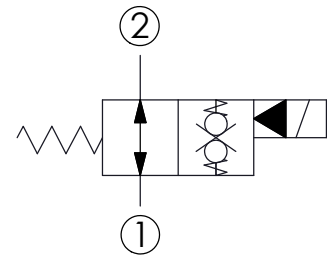


Ordering Code: **EP-16A-X-Y-Z-95**



UNIT:mm



TECHNICAL DATA

Max. Operating pressure: 350 bar

Rated flow: 240 l/min

Cavity-Tooling: 16A-2

Installation torque: 200-215 Nm

Weight: 0.51 (Z=N) kg

Fluids-Temperatures: -40 to 120 °C

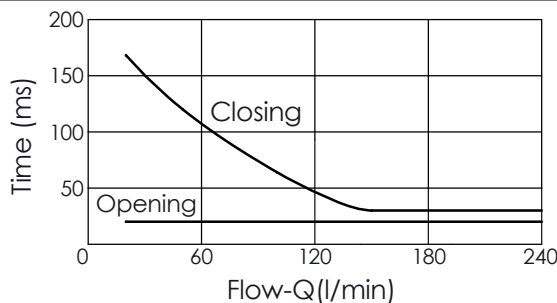
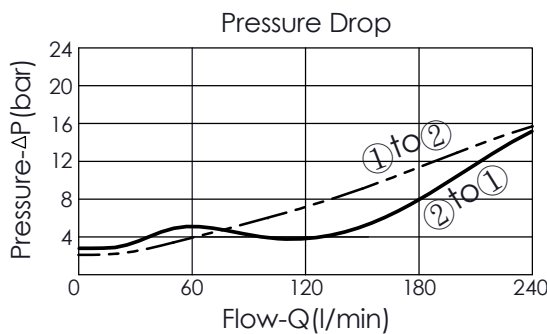
Internal Leakage Approximately:
0.15 cc/minute
(3 drops/minute) max. at 350 bar

Filtration: 25 µm nominal or better

Minimum Voltage Required:
90 % of nominal

Coils must be ordered separately

Mounting Position: unrestricted



Y OPERATION

32 Normally-Open Double Lock

X STRUCTURE

2A 2 Ports - 20 Watt. Coil
Ø 12.7 mm tube

Z OPTIONS

N Non-adjustable 

P Push Style Manual Override 

T Push and Twist Style Manual Override 