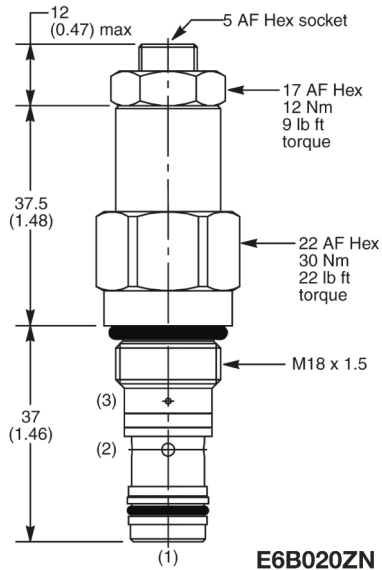
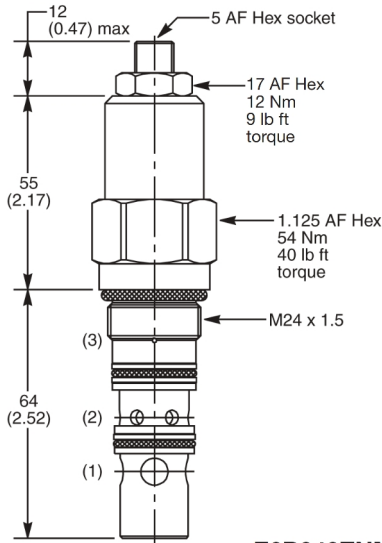


Counterbalance Type

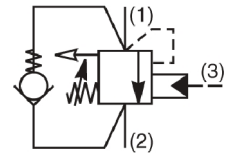


E6B020ZN

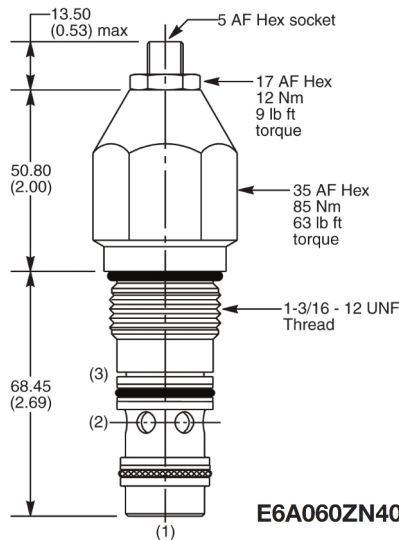


E6B040ZNMK3

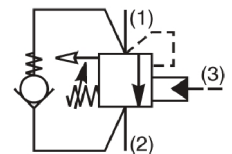
Dimensions Millimeters (inches)



Series	Body	Max Inlet Pressure (bar)	Standard Setting (bar)	Flow Rating (l/min)	Pilot Ratio	Features
E6B020ZN	LB10310S	420	215	20	4.5:1	<ul style="list-style-type: none"> <li>Independent of downstream pressure.</li> <li>No requirement for separate drain line.</li> <li>Compact construction</li> </ul>
E6B040ZNMK3	LB10251S	350	215	60	3:1	



E6A060ZN409 / E6B060ZN409



Series	Body	Max Inlet Pressure (bar)	Standard Setting (bar)	Flow Rating (l/min)	Pilot Ratio	Features
E6A060ZN409	LB10039S	350	215	180	8:1	<ul style="list-style-type: none"> <li>Independent of downstream pressure.</li> <li>No requirement for separate drain line.</li> <li>High flow design</li> </ul>
E6B060ZN409	LB10039S	350	215	180	3:1	

