

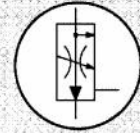
3-Wege-Stromregelventil Typ J1A60



**FLOW
REGULATOR
PRIORITY
STYLE**

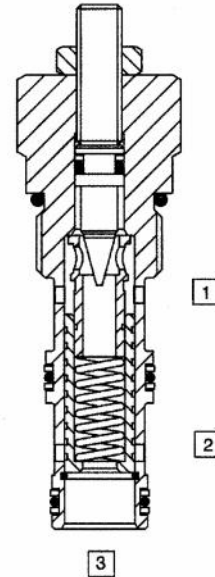
J1A60

UP TO $\frac{45 \text{ l/min}}{12 \text{ USgpm}}$
 AND $\frac{350 \text{ bar}}{5000 \text{ psi}}$



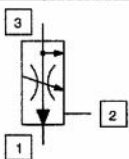
**PRESSURE COMPENSATED, WITH
PRIORITY AND BYPASS FLOW
CONTROL.**

- Full 350 bar 5000 psi pressure capability.
- High flow capacity.
- Used for systems requiring priority flow such as steering systems.
- Hardened parts for less wear and hence longer life.
- Adjustable and tamperproof versions available.
- Line bodies available, aluminium anodised or steel zinc plated.



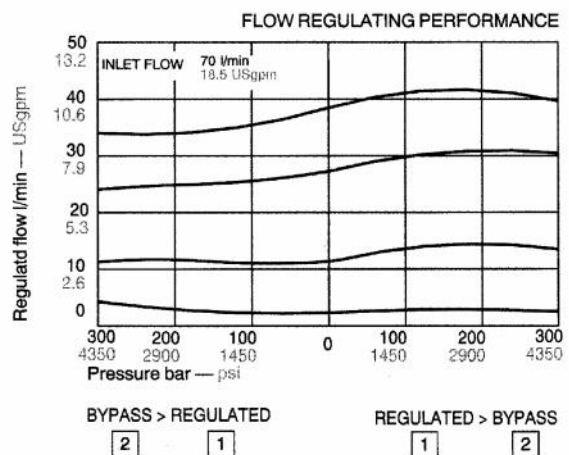
Änderungen vorbehalten

SPECIFICATIONS

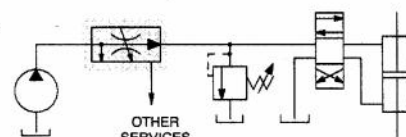
BASIC MODEL NUMBER	J1A60
SYMBOL	
INLET FLOW	10 - 90 l/min 2.6 - 24 USgpm
REGULATED FLOW	2 - 45 l/min 0.53 - 12 USgpm
PRESSURE RATING	25 - 350 bar 362 - 5000 psi
FLUID	MINERAL BASED OIL OR SYNTHETIC FLUID WITH LUBRICANT PROPERTIES
VISCOSITY RANGE	5 - 50 cSt — 42 - 232 SSU
SEAL MATERIAL (STD.)	NITRILE — BUNA-N
TEMPERATURE RANGE	-30°C TO +90°C -22°F TO +194°F
FILTRATION	25 MICRONS (NOM.) OR BETTER
CAVITY	3G
WEIGHT	0.2 kg 0.44 lb

TYPICAL PERFORMANCE

Mineral Oil 30 cSt — 141 SSU



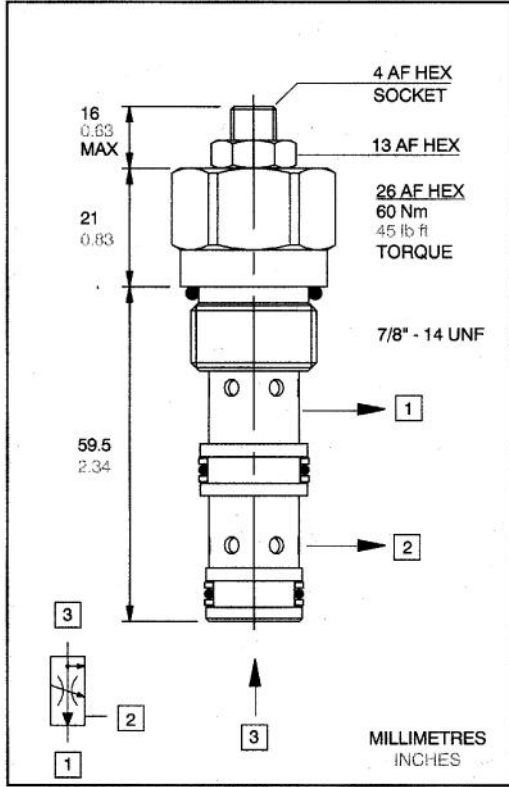
APPLICATION



Priority flow on steering circuit.

3-Wege-Stromregelventil Typ J1A60

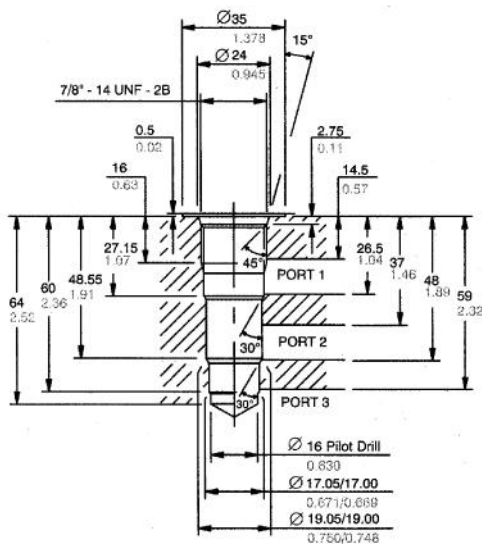
DIMENSIONS



Änderungen vorbehalten

CAVITY DETAIL

3G



CAVITY TOOLING AVAILABLE:-

PILOT DRILL Ø	16.00 0.63	REAMER (STEEL)	8RM31007S
STEP DRILL	8DS31307	COUNTERBORE	8CB31101
REAMER (ALUM)	8RM31007A	TAP	8TP31201

CARTRIDGE

J1A060

BASIC PART NUMBER		
ADJUSTER	Z - ADJUSTABLE W - HANDKNOB T - TAMPERPROOF	
INLET FLOW	OMIT FOR STANDARD (See below)	Flow l/min
REGULATED FLOW	SPECIFY SETTING IF NON-STANDARD	Flow l/min
SEAL MATERIAL	N - NITRILE — BUNA-N (Std.) V - VITON (Option)	

STD. VALVE SET WITH INLET FLOW OF 45 L/MIN 12 USGPM
AND REGULATED FLOW OF 25 L/MIN 6.5 USGPM.
ORDER AS J1A060ZN.

LINE BODY

LB10

PORTING	035 - G1/2 071 - 1/2 SAE
LINE BODY MATERIAL	A - ALUMINIUM 210 bar 3000 psi Light duty S - STEEL Heavy duty
SEE LINE BODY DATA SHEET	

SEAL KIT	SK30018N(V)-1
----------	---------------

TAMPERPROOF KIT	TC1124
-----------------	--------



04/93