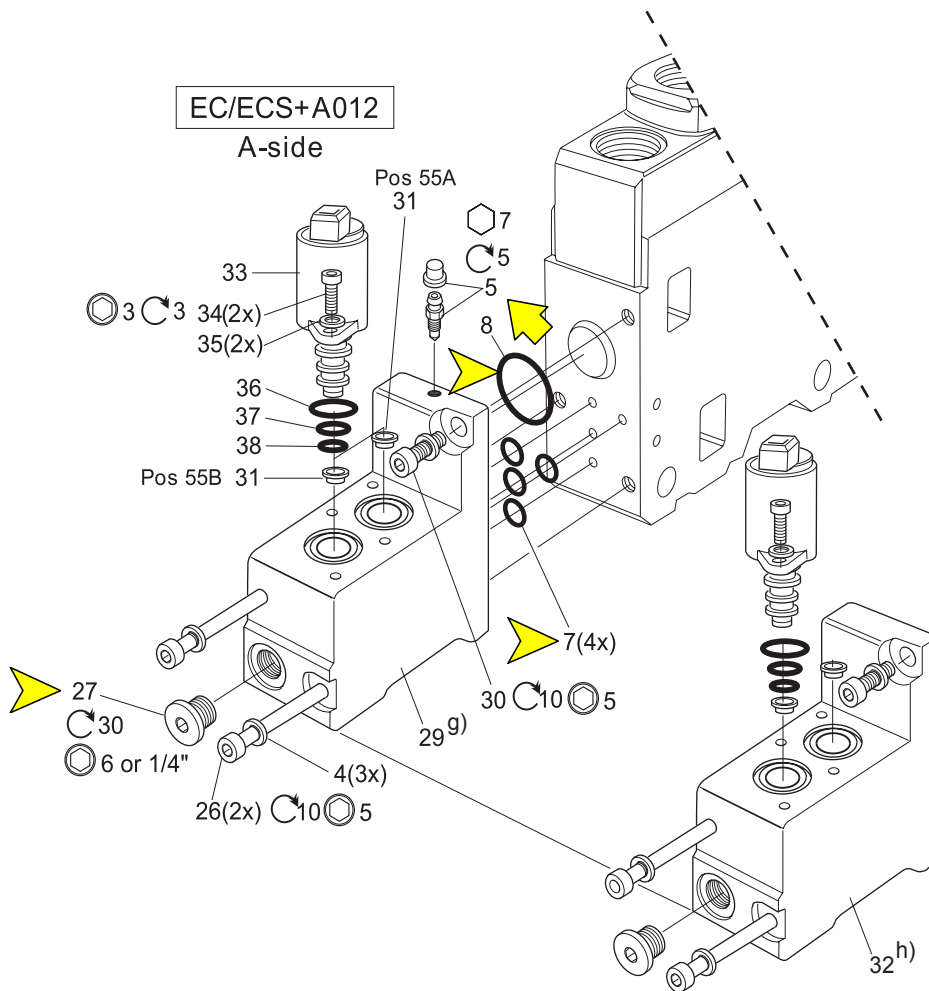
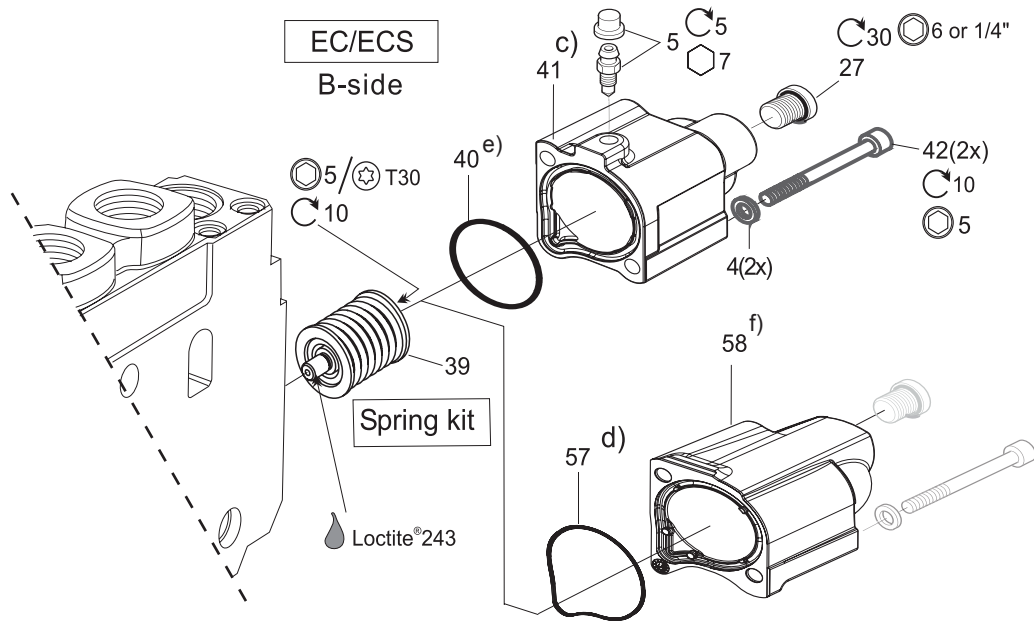


**EC/ECS + A012**



See Customer Specification					
Code	Pos	Part	Description	Remarks / Items	
EC/ECS + A012 + G	50+59+04	6760554	Cap kit EC, B-side, BSP	4(2x), 27, 42(2x), 57, 58	
EC/ECS + A012 + U	50+59+04	6760556	Cap kit EC, B-side, UNF	4(2x), 27, 42(2x), 57, 58	
EC/ECS + A012 + G	50+59+04	9120092369	Cap kit EC A012, A-side, BSP	4(3x), 7(4x), 8, 26(2x), 27, 30, 32, 34(4x), 35(4x)	
EC/ECS + A012 + U	50+59+04	9120092370	Cap kit EC A012, A-side, UNF	4(3x), 7(4x), 8, 26(2x), 27, 30, 32, 34(4x), 35(4x)	
EC/ECS + A012 + G	50+59+04	6760776	Seal kit A012, A-side, BSP	5, 7(4x), 8, 27	
EC/ECS + A012 + U	50+59+04	6760616	Seal kit A012, A-side, UNF	5, 7(4x), 8, 27	
EC/ECS + A012 + G	50+59+04	6760816	Seal kit A012, B-side, BSP	5, 27, 40, 57	
EC/ECS + A012 + U	50+59+04	6760817	Seal kit A012, B-side, UNF	5, 27, 40, 57	
EC + A012 + 12 + A	50+59+05 +56A/B	393000M012	PVC25, 12 VDC for A012	Air bleed, can be manually operated, AMP 31, 33 [36, 37, 38], 34(2x)	
EC + A012 + 24 + A	50+59+05 +56A/B	393000M024	PVC25, 24 VDC for A012	Air bleed, can be manually operated, AMP 31, 33 [36, 37, 38], 34(2x)	
ECS + A012 + 12 + A	50+59+05 +56A/B	393000N012	PVC25, 12 VDC for A012	No air bleed, no manual. op. AMP 31, 33 [36, 37, 38], 34(2x)	
ECS + A012 + 24 + A	50+59+05 +56A/B	393000N024	PVC25, 24 VDC for A012	No air bleed, no manual. op. AMP 31, 33 [36, 37, 38], 34(2x)	
ECS + A012 + 12 + D	50+59+05 +56A/B	393000D012	PVC25, 12 VDC for A012	31, 33 [36, 37, 38], 34(2x) No air bleed, no manual op. Deutsch	
ECS + A012 + 24 + D	50+59+05 +56A/B	393000D024	PVC25, 24 VDC for A012	31, 33 [36, 37, 38], 34(2x) No air bleed, no manual op. Deutsch	
EC/ECS + A012 + A/D	50+59+56	393000K813	Seal kit PVC25	36, 37, 38 (Kit for 1 solenoid valve)	
A012 + 2,0	59 + 55A/55B	6760090	Pilot orifice ø2.0, mark. 9 dots	31 (5x)	
A012 + 1,5		6760089	Pilot orifice ø1.5, mark. 8 dots	31 (5x)	
A012 + 1,4		6760088	Pilot orifice ø1.4, mark. 7 dots	31 (5x)	
A012 + 1,3		6760087	Pilot orifice ø1.3, mark. 6 dots	31 (5x)	
A012 + 1,2		6760086	Pilot orifice ø1.2, mark. 5 dots	31 (5x)	
A012 + 1,1		6760085	Pilot orifice ø1.1, mark. 4 dots	31 (5x)	
A012 + 1,0		6760084	Pilot orifice ø1.0, mark. 3 dots	31 (5x)	
A012 + 0,9		6760083	Pilot orifice ø0.9, mark. 10 dots	31 (5x)	
A012 + 0,8		6760082	Pilot orifice ø0.8, mark. 2 dots	31 (5x)	
A012 + 0,7		6760081	Pilot orifice ø0.7, mark. 12 dot	31 (5x)	
A012 + 0,6		6760080	Pilot orifice ø0.6, mark. 1 dots	31 (5x)	
A012 + 0,45		6760079	Pilot orifice ø0.45, mark. 11 dots	31 (5x)	
PC/EC/ECS		50	9120092015	Spring kit std, (6.5-20) bar	39
A306		59	9120091052	Spring kit A306, (6.5-26) bar	39
EC/ECS	50	9120092285	Air bleeding screw	5(2x)	
EC/ECS + G	50 + 04	-	Plug VST11/4EDCF	27	
EC/ECS + U	50 + 04	-	Plug 6HP5ON-S	27	

- e) For old spring cap, up to serial no. 1002...; f) For new spring cap, from serial no. 1003...  
g) For old EC cap, up to serial no. 1204...; h) For new EC cap, from serial no. 1205...