

**Characteristics**

Pilot operated pressure reducing valves for in-line mounting series R4R have a similar design to the subplate mounted R4R series. For single functions - where no manifold blocks are used - the valves can be directly placed in the pipework.

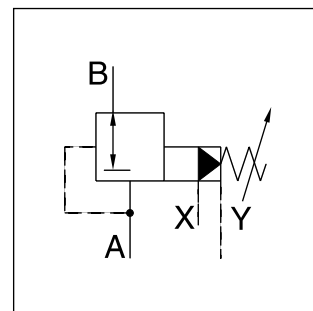
The valves are available with 2 ports (L-body) or with 3 ports (T-body).

**Features**

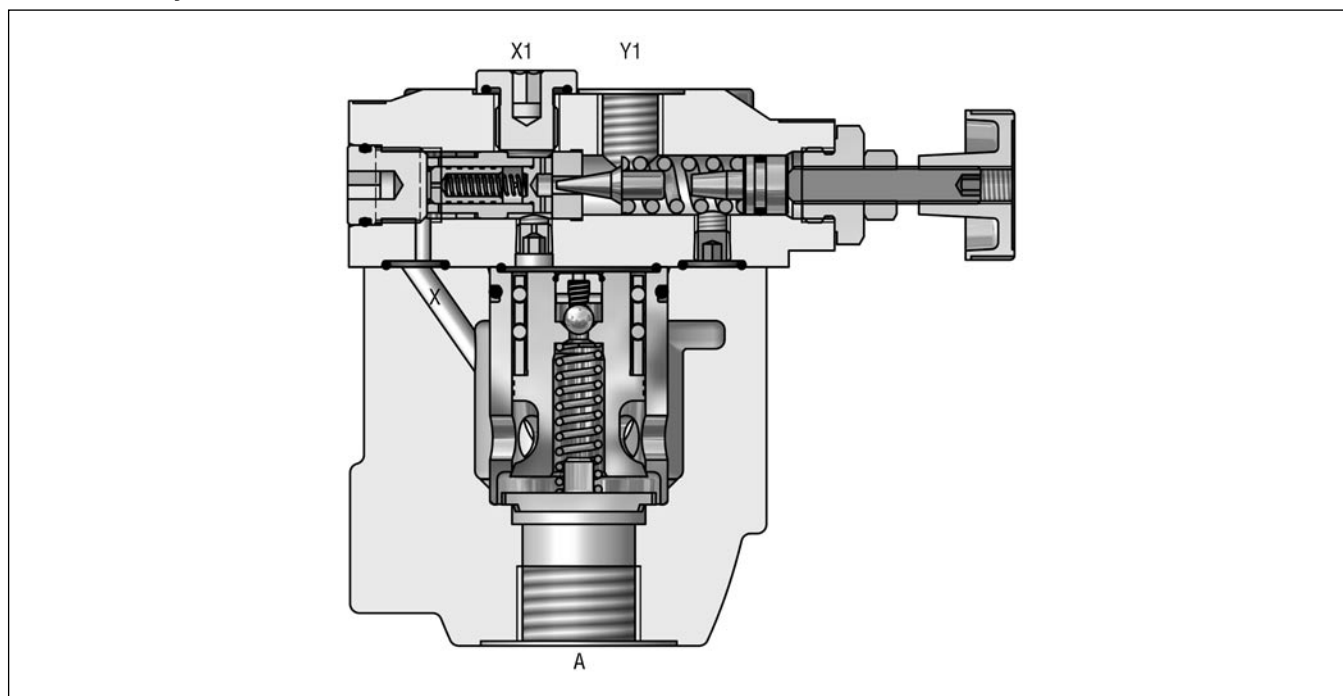
- Pilot operated with manual adjustment
- Normally closed to avoid undesired motion
- 2 interfaces
  - L-body (R4R06-G $\frac{3}{4}$ ", R4R10-G1 $\frac{1}{4}$ " )
  - T-body (R4R03-G1 $\frac{1}{2}$ " , R4R06-G1" )
- 3 pressure stages
- 3 adjustment modes
  - Hand knob
  - Acorn nut with lead seal
  - DIN lock
- With optional vent function



R4R10 L-body



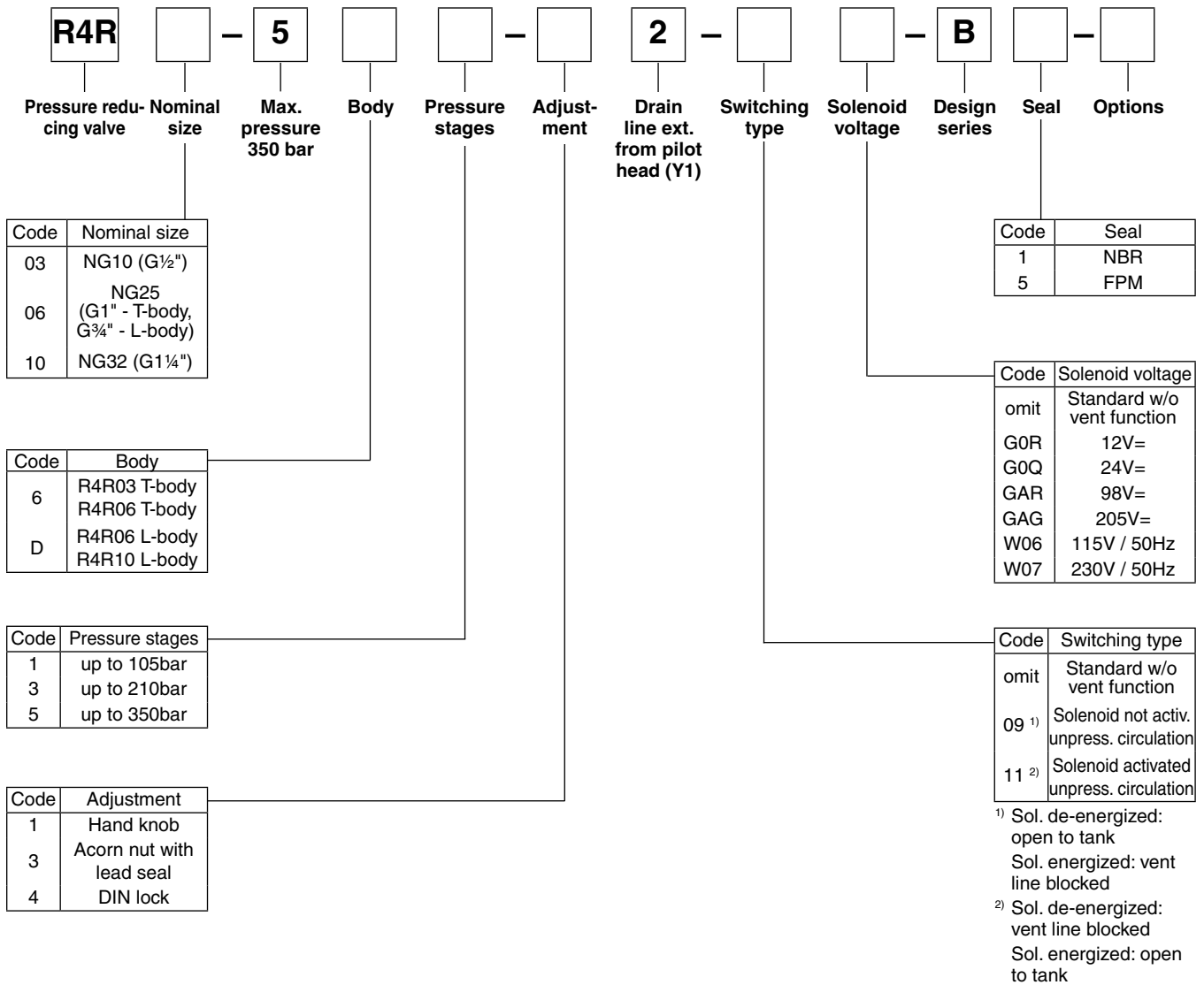
**R4R06 L-body**



10

Ordering Code

Ordering code



10

**Technical Data**

**R4R**

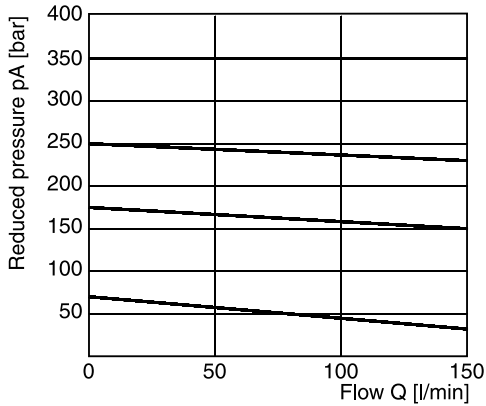
General	T-body		L-body		
	03 (½")	06 (1")	06 (¾")	10 (1¼")	
Size					
Mounting	Threaded body				
Mounting position	unrestricted				
Ambient temperature	[°C]	-20...+50			
Weight	[kg]	3.2	3.3	5.6	6.6
<b>Hydraulic</b>					
Max. operating pressure	[bar]	Ports A, B and X: 350; Port Y depressurized			
Pressure stages	[bar]	105, 210, 350			
Nominal flow	[l/min]	90	300	300	600
Fluid	Hydraulic oil as per DIN 51524...525				
Fluid temperature	[°C]	-20...+80			
Viscosity permitted	[cSt]/[mm²/s]	10...650			
Viscosity recommended	[cSt]/[mm²/s]	30			
Filtration	ISO 4406 (1999) 18/16/13 (acc. NAS 1638: 7)				

**R4R with vent function**

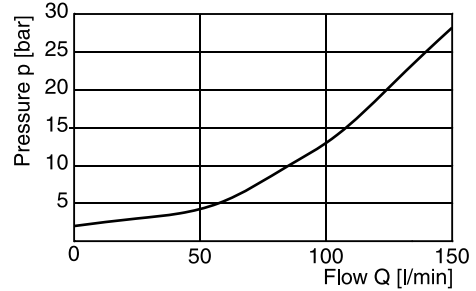
General	03 (½")		06 (¾")		06 (1")		10 (1¼")	
	Size							
Mounting	Threaded body							
Mounting position	unrestricted							
Ambient temperature	[°C]	-20...+50						
Weight	[kg]	4.9	5.0	7.3	8.3			
<b>Hydraulic</b>								
Max. operating pressure	[bar]	Ports A and X up to 350; Ports B and Y depressurized						
Pressure stages	[bar]	105, 210, 350						
Nominal flow	[l/min]	60	200	200	450			
Fluid	Hydraulic oil as per DIN 51524...525							
Fluid temperature	[°C]	-20...+80						
Viscosity permitted	[cSt]/[mm²/s]	10...650						
Viscosity recommended	[cSt]/[mm²/s]	30						
Filtration	ISO 4406 (1999) 18/16/13 (acc. NAS 1638: 7)							
<b>Electrical (solenoid)</b>								
Duty ratio	[%]	100						
Response time	[ms]	Energized / de-energized AC: 20/18, DC: 46/27						
Supply voltage	Code	G0R	G0Q	GAR	GAG	W06	W07	
		12V =	24V =	98V =	205V =	150 at 50Hz	230 at 50Hz	
		+5...-10	+5...-10	+5...-10	+5...-10	+5...-10	+5...-10	
Tolerance supply voltage		31	31	31	31	78	78	
Power consumption	hold	31	31	31	31	264	264	
	in rush	31	31	31	31	264	264	
Max. switching frequency	AC: up to 7.200, DC: up to 16.000 switchings/hour							
Solenoid connection	Connector as per EN175301-803							
Protection class	IP65 in accordance with EN 60529 (plugged and mounted)							
Coil insulation class	H (180 °C)							

10

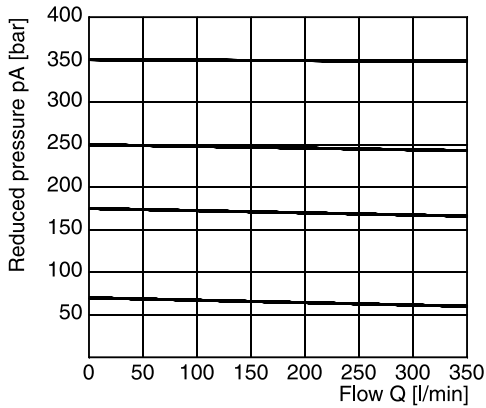
**Reduced pressure pA versus flow Q**  
**Series R4R03 <sup>1)</sup>**



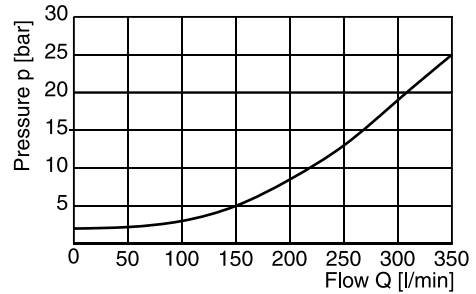
**Minimum pressure curve**



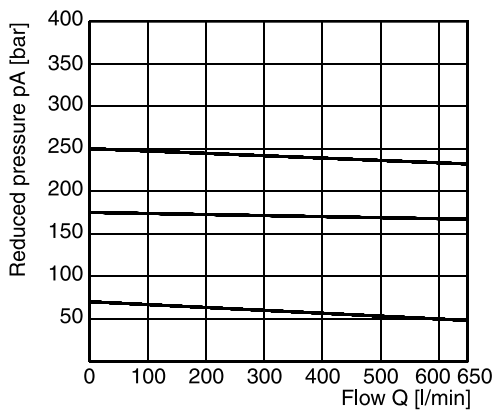
**Reduced pressure pA versus flow Q**  
**Series R4R06 <sup>1)</sup>**



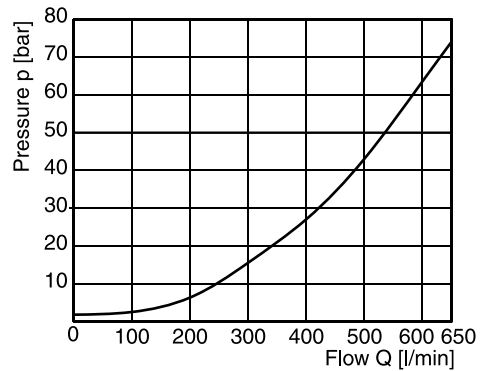
**Minimum pressure curve**



**Reduced pressure pA versus flow Q**  
**Series PR32M <sup>1)</sup>**



**Minimum pressure curve**



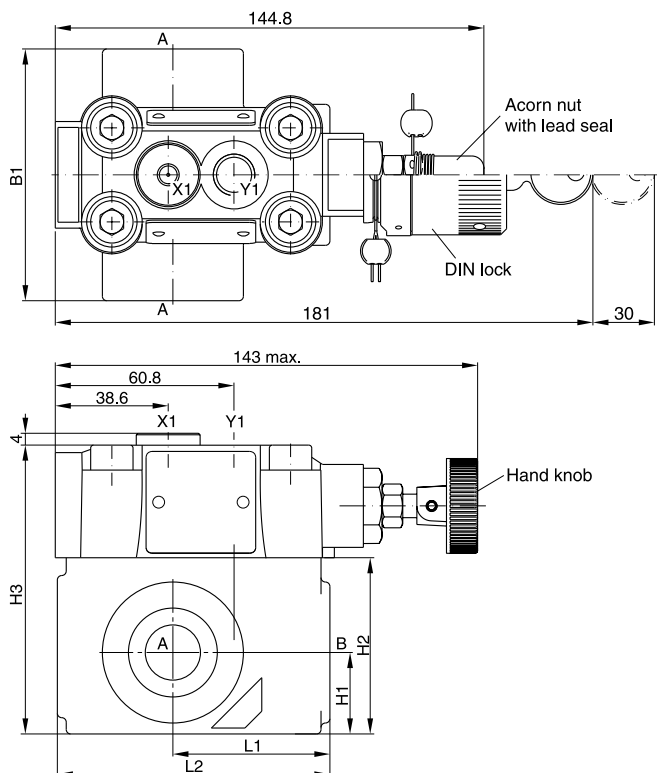
<sup>1)</sup> Measured at 350 bar primary pressure pB.

10

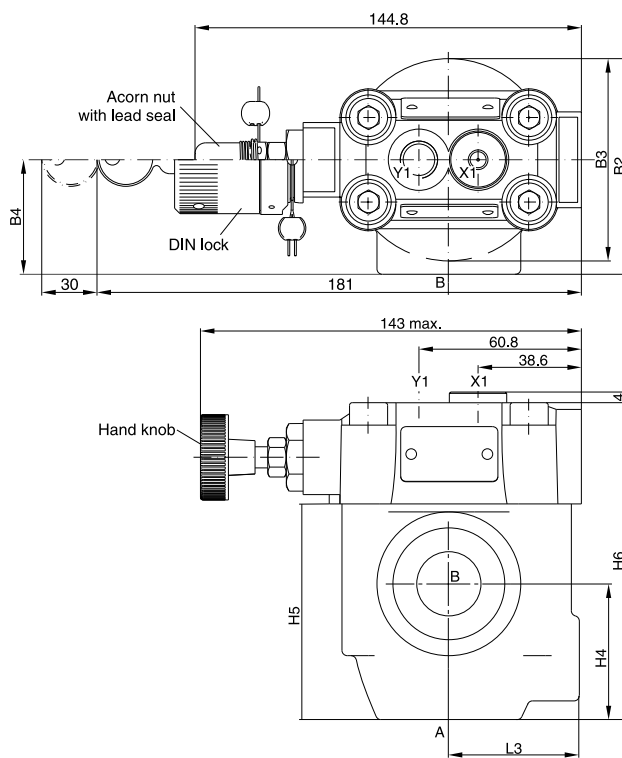
**Dimensions**

**Pilot Operated Pressure Reducing Valve  
Series R4R (Denison)**

**T-body**



**L-body**

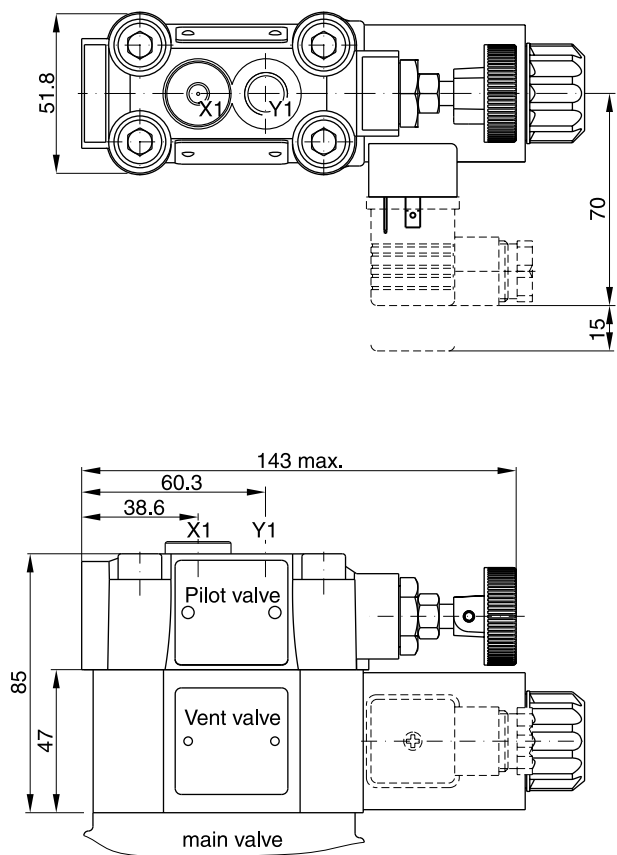


NG	Body	B1	B2	B3	B4	H1	H2	H3	H4	H5	H6	L1	L2	L3
03	T-body	85	-	-	-	27.5	59.5	97.5	-	-	-	53	92	-
06	T-body	136	-	-	-	38	93	131	-	-	-	66.5	117.5	-
06	L-body	-	81	76	43	-	-	-	51	81	119	-	-	49
10	L-body	-	120.7	85.8	77.8	-	-	-	50.8	96	134	-	-	49.8

Ports	Function	Port size			
		R4V03 T-body	R4V06 L-body	R4V06 T-body	R4V10 L-body
B	pressure (inlet)	G½ "	G¾ "	G1 "	G1¼ "
A	pressure (outlet)	G½ "	G¾ "	G1 "	G1¼ "
X1	ext. remote control or vent connection	G¼ "			
Y1	external drain				

**Dimensions**

**Dimensions R4R with vent function**



Code	External drain
11	
09	

10