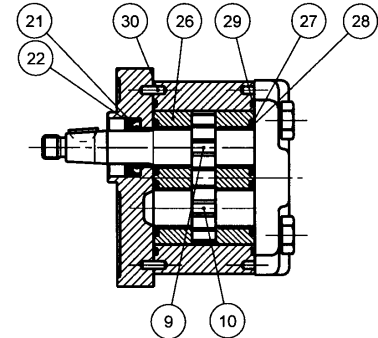
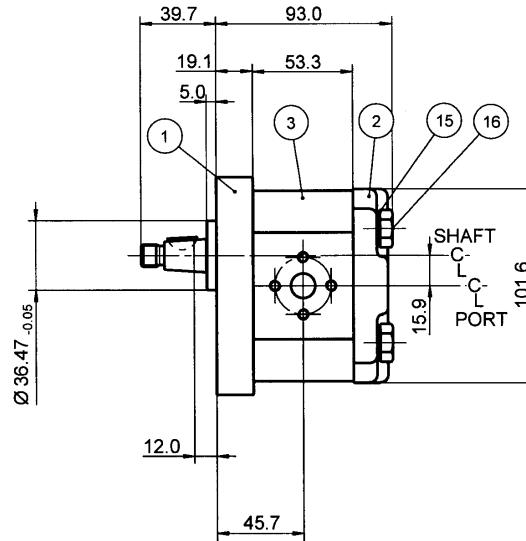
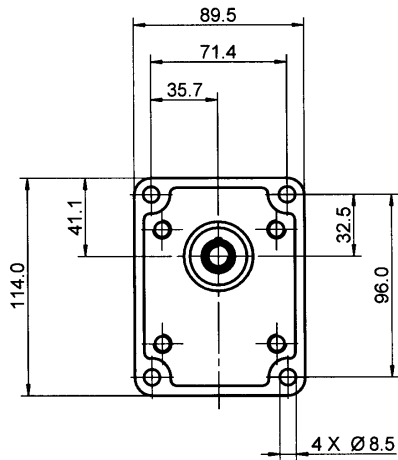
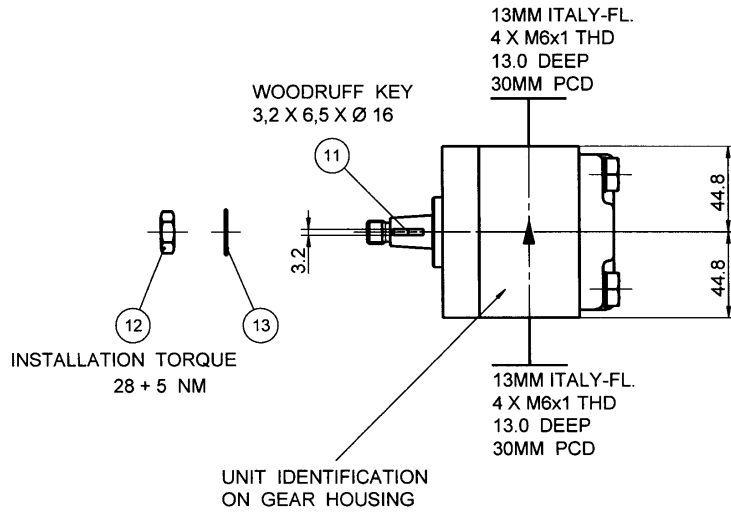
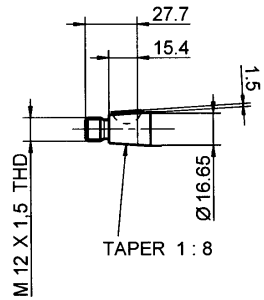


PUMP DATA	
DISPLACEMENT	8,0 ccm
MAX.CONT.PRESSURE	250 bar
SPEED RATE	500 TO 2500 min ⁻¹
MAX. INPUT SHAFT TORQUE	198 NM
ROTATION	ANTI CLOCKWISE



NOTE

1 FOR ASSEMBLY INSTRUCTIONS SEE DWG. NO. "511-B1" "PGP511 PUMP ASSEMBLY INSTRUCTIONS".

ITEM	PART NO	REQ'D	ITEM	PART NO	REQ'D
28	8611-015-000	2	SEAL. BK-UP	36	
27	8611-016-00R	2	SEAL. CHAN.	35	
26	8898-207-00U	2	THRBLK/BSHG	34	
25				33	
24				32	
23				31	
22	9211-323-00B	1	RING, SNAP	30	391 2080 078 2 PIN. DOWEL
21	8301-019-00K	1	SEAL. LIP	29	9313-145-00B 2 SEAL. SECT.

20					
19					
18					
17					
16	391 1401 855	4	SCREW (83 MM)		
15	391 3782 231	4	WASHER		
14					
13	391 3782 307	1	WASHER		
12	391 1451 168	1	NUT		
11	391 1781 112	1	KEY		
10	334 2708 000	1	DRIVEN GEAR		
9	334 1808 601	1	DRIVE GEAR		
8					
7					
6					
5					
4					
3	334 8108 908	1	HOUSING. GEAR		
2	332 3000 100	1	HOUSING. PEC		
1	334 5041 202	1	HOUSING. SEC		
ITEM	PART NO	REQ'D	DESCRIPTION		

THIRD ANGLE PROJECTION	
EXP NO.	
FIRST USED	02 - 10 - 974
334 9112 397	

SYM. REVISIONS

THIS DOCUMENT CONTAINS INFORMATION THAT IS CONFIDENTIAL AND PROPRIETARY TO PARKER HANNIFIN CORPORATION ("PARKER"). THIS DOCUMENT IS FURNISHED ON THE UNDERSTANDING THAT THE DOCUMENT AND INFORMATION WILL BE NOT COPIED OR DISCLOSED TO OTHERS OR USED FOR ANY PURPOSE OTHER THAN CONDUCTING BUSINESS WITH PARKER, AND WILL BE RETURNED AND ALL FURTHER USE DISCONTINUED UPON REQUEST BY PARKER ALL RIGHTS RESERVED.

PGP511A0080AS2D3NL1L1B1B1

MATERIAL	ADM CTR P	DR BY	DATE	CH BY	DATE	SCALE
H.E.-STD:	REV DTE 000000	PW	23OCT02	JS	23OCT02	1/2
	WT 3.6 Kg	DIMENSIONS ARE		MM		
				334 9112 397		
© 2002 Parker-Hannifin Corporation						

Parker Hydraulic Controls Division
Sachsenhydraulik GmbH
Chemnitz