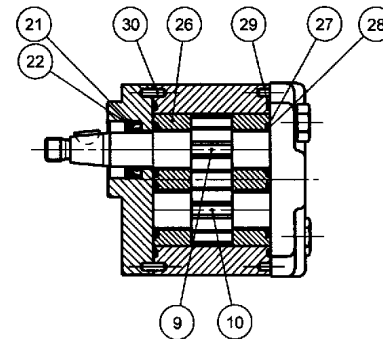
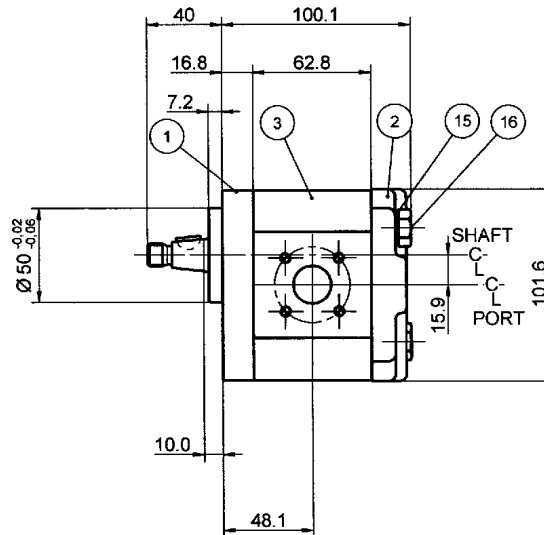
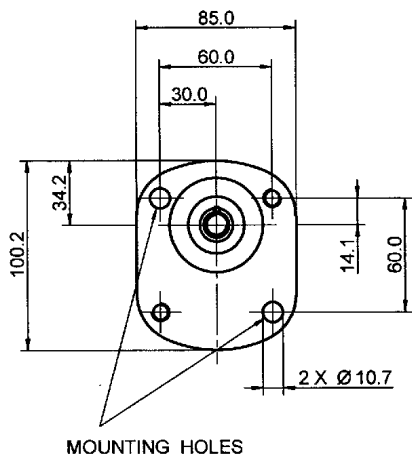
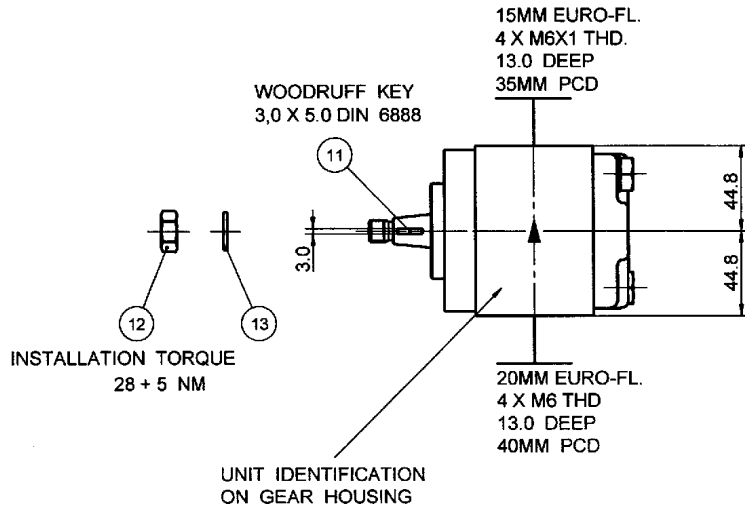
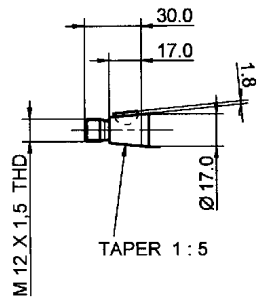


PUMP DATA	
DISPLACEMENT	14,0 ccm
MAX. CONT. PRESSURE	250 bar
SPEED RATE	500 TO 3500 min ⁻¹
MAX. INPUT SHAFT TORQUE	193 NM
ROTATION	ANTI CLOCKWISE



NOTE

1 FOR ASSEMBLY INSTRUCTIONS SEE DWG. NO. "511-B1" "PGP511 PUMP ASSEMBLY INSTRUCTIONS".

ITEM	PART NO	REQD	ITEM	PART NO	REQD
28	8611-015-000	2	SEAL. BK-UP	36	
27	8611-016-00R	2	SEAL. CHAN.	35	
26	8898-207-00U	2	THRBLK/BSHG	34	
25				33	
24				32	
23				31	
22	9211-323-00B	1	RING, SNAP	30	391 2080 078 2
21	8301-019-00K	1	SEAL. LIP	29	9313-145-00B 2

BOM. COMPONENT

ITEM	PART NO	REQD	DESCRIPTION
20	SEE ABOVE	1	BOM. COMPONENT
19			
18			
17			
16	391 1401 543	2	SCREW (90 MM)
15	391 3782 231	2	WASHER
14			
13	391 3782 259	1	WASHER
12	391 1451 160	1	NUT
11	391 1781 099	1	KEY
10	334 2714 000	1	DRIVEN GEAR
9	334 1814 600	1	DRIVE GEAR
8			
7			
6			
5			
4			
3	334 8114 901	1	HOUSING. GEAR
2	332 3000 100	1	HOUSING. PEC
1	334 5051 202	1	HOUSING. SEC

THIRD ANGLE PROJECTION	
EXP NO.	
FIRST USED	
01 - 06 - 953	
334 9112 075	
SYM.	REVISIONS

THIS DOCUMENT CONTAINS INFORMATION THAT IS CONFIDENTIAL AND PROPRIETARY TO PARKER HANNIFIN CORPORATION (PARKER). THIS DOCUMENT IS FURNISHED ON THE UNDERSTANDING THAT THE DOCUMENT AND INFORMATION WILL BE NOT COPIED OR DISCLOSED TO OTHERS OR USED FOR ANY PURPOSE OTHER THAN CONDUCTING BUSINESS WITH PARKER, AND WILL BE RETURNED AND ALL FURTHER USE DISCONTINUED UPON REQUEST BY PARKER. ALL RIGHTS RESERVED.	
PGP511A0140AS1Q4NJ7J5B1B1	
MATERIAL	ADM CTR P
H.E.-STD:	REV DTE 000000
WT	DIMENSIONS ARE MM

Parker Hydraulics	Hydraulic Controls Division Sachsenhydraulik GmbH Chemnitz	
DR BY DATE WS 02JUI01	CH BY DATE KH 02JUI01	SCALE 1/2
334 9112 075		
© 2001 Parker-Hannifin Corporation		