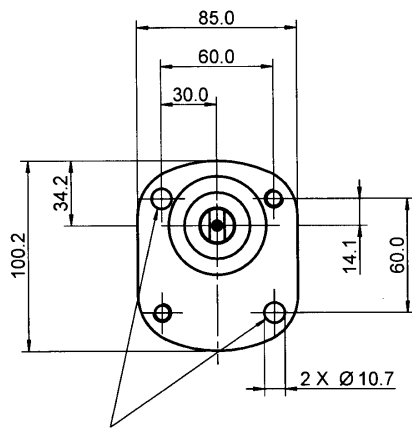
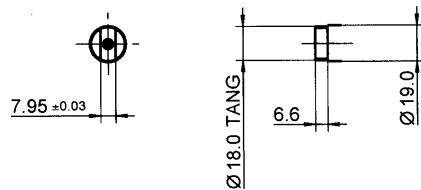
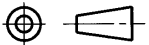


PUMP DATA	
DISPLACEMENT	16,0 ccm
MAX.CONT.PRESSURE	210 bar
SPEED RATE	500 TO 3000 min ⁻¹
MAX. INPUT SHAFT TORQUE	60 NM
ROTATION	ANTI CLOCKWISE



MOUNTING HOLES
2 X M10 - 8.8
TORQUE 42+5 Nm

THIRD ANGLE PROJECTION



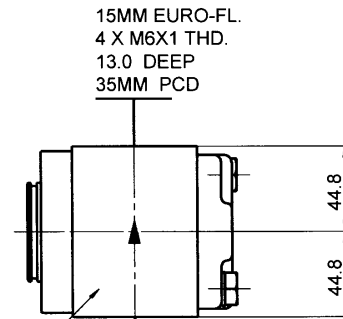
EXP NO.

FIRST USED

02 - 03 - 967

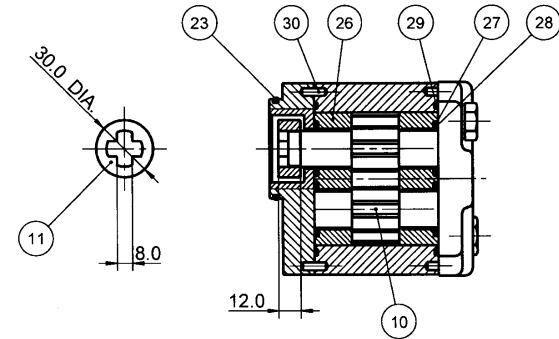
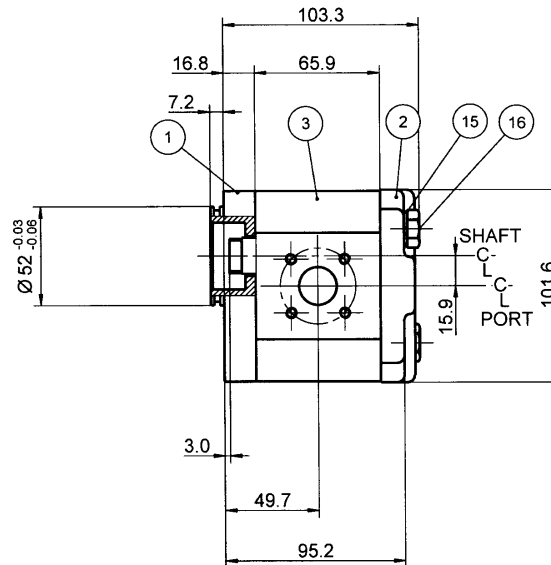
334 9112 249

SYM. REVISIONS



20MM EURO-FL.
4 X M6X1 THD
13.0 DEEP
40MM PCD

UNIT IDENTIFICATION
ON GEAR HOUSING



NOTE

FOR ASSEMBLY INSTRUCTIONS SEE DWG. NO. "511-B1"
"PGP511 PUMP ASSEMBLY INSTRUCTIONS".

ITEM	PART NO	REQD	ITEM	PART NO	REQD
28	8611-015-000	2	SEAL. BK-UP	36	
27	8611-016-00R	2	SEAL. CHAN	35	
26	8898-207-00U	2	THRBLK/BSHG	34	
25				33	
24				32	
23	391 2882 168	1	O-RING	31	
22				30	391 2080 078 2
21				29	9313-145-00B 2
					PIN. DOWEL
					SEAL. SECT.

ITEM	PART NO	REQD	DESCRIPTION
20			
19			
18			
17			
16	391 1401 544	2	SCREW (95 MM)
15	391 3782 231	2	WASHER
14			
13			
12			
11	391 9997 022	1	DRIVER
10	334 2716 000	1	DRIVEN GEAR
9	334 1316 500	1	DRIVE GEAR
8			
7			
6			
5			
4			
3	334 8116 901	1	HOUSING. GEAR
2	332 3000 100	1	HOUSING. PEC
1	334 5050 202	1	HOUSING. SEC

THIS DOCUMENT CONTAINS INFORMATION THAT IS CONFIDENTIAL AND PROPRIETARY TO PARKER HANNIFIN CORPORATION ("PARKER"). THIS DOCUMENT IS FURNISHED ON THE UNDERSTANDING THAT THE DOCUMENT AND INFORMATION WILL BE NOT COPIED OR DISCLOSED TO OTHERS OR USED FOR ANY PURPOSE OTHER THAN CONDUCTING BUSINESS WITH PARKER, AND WILL BE RETURNED AND ALL FURTHER USE DISCONTINUED UPON REQUEST BY PARKER. ALL RIGHTS RESERVED.

PGP511A0160AV5Q3XJ7J5B1B1

MATERIAL

ADM CTR P
REV DTE 000000

H.E.-STD:

WT 3.9 Kg

DIMENSIONS ARE MM



Hydraulic Controls Division
Sachsenhydraulik GmbH
Chemnitz

DR BY DATE CH BY DATE SCALE
PG 27MAR02 WS 27MAR02 1/2

334 9112 249

© 2002 Parker-Hannifin Corporation