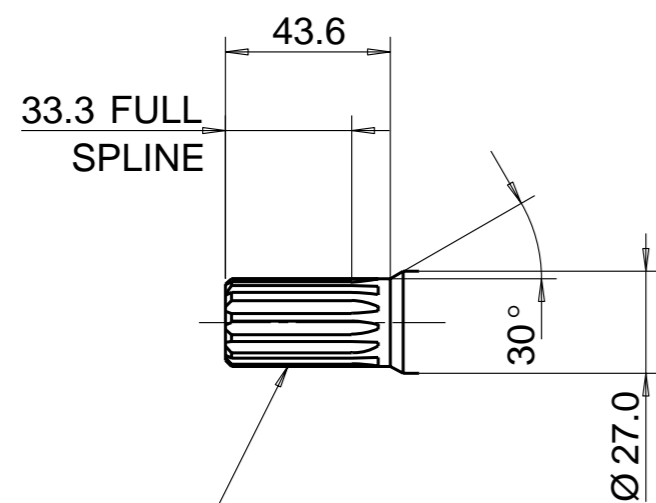
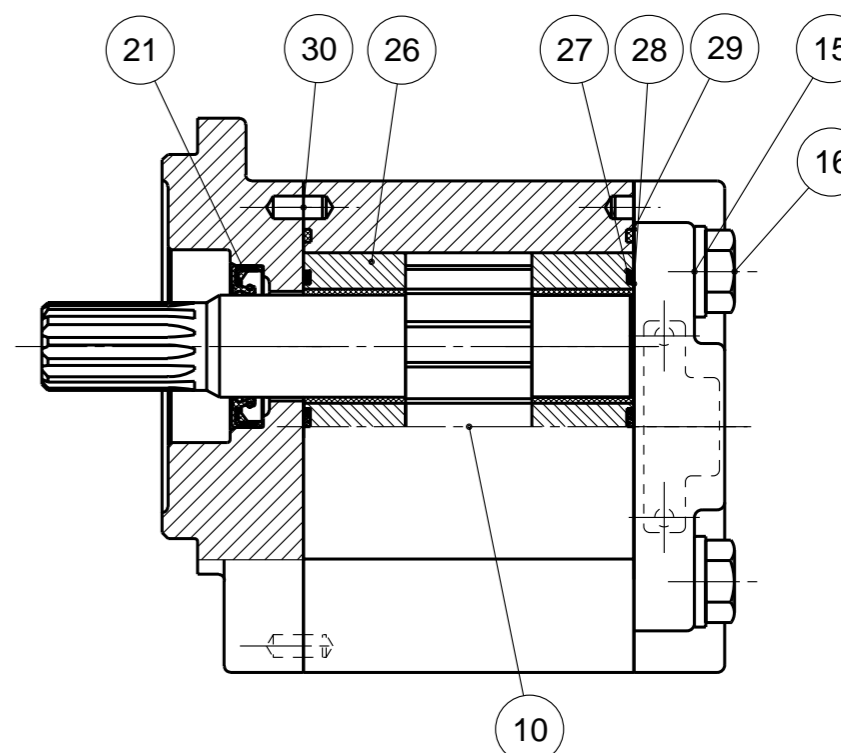
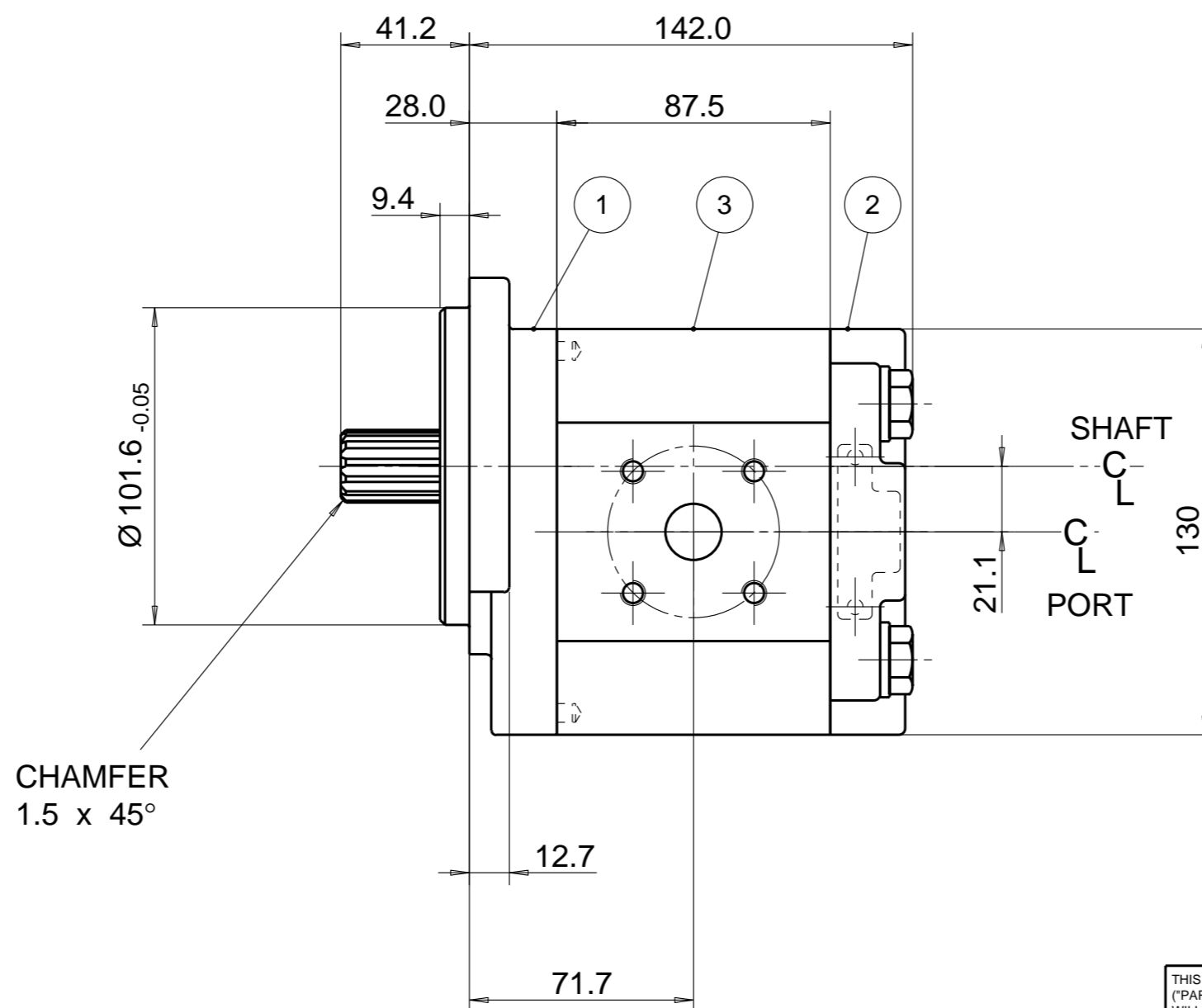
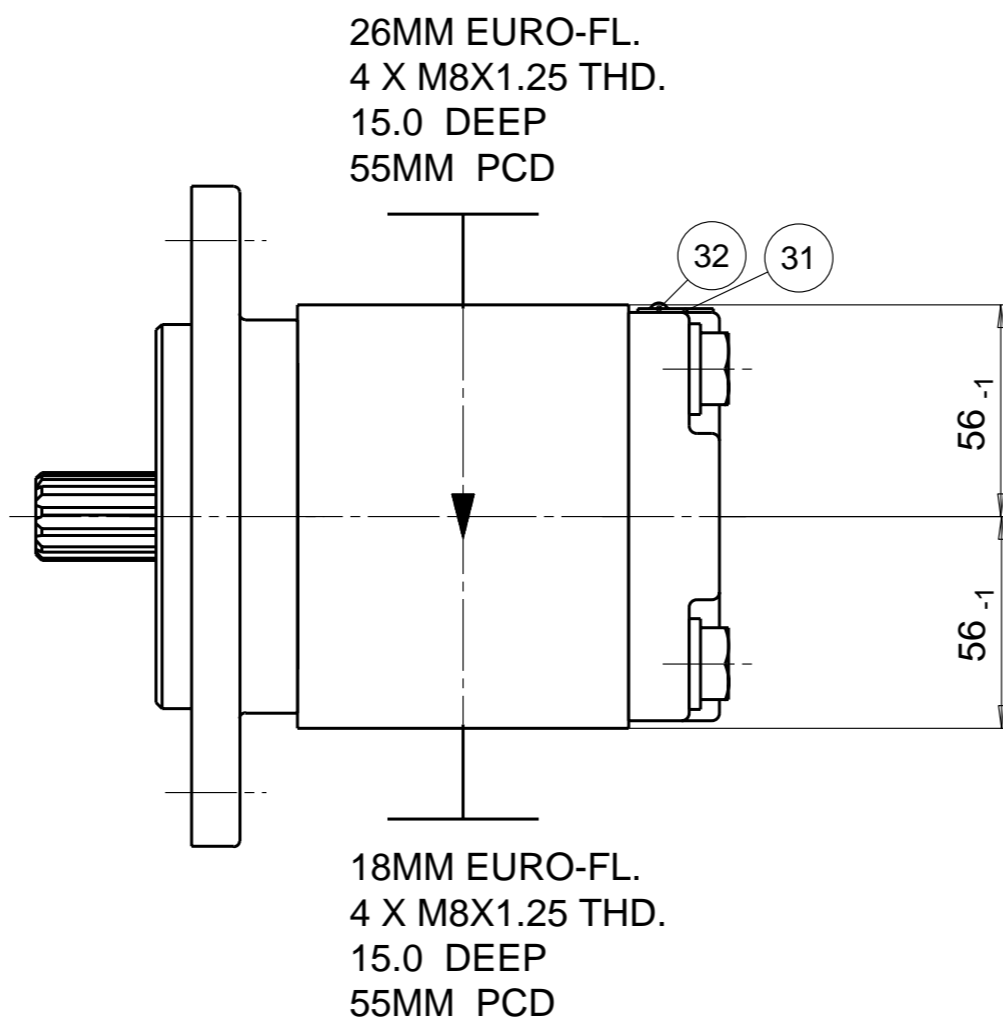
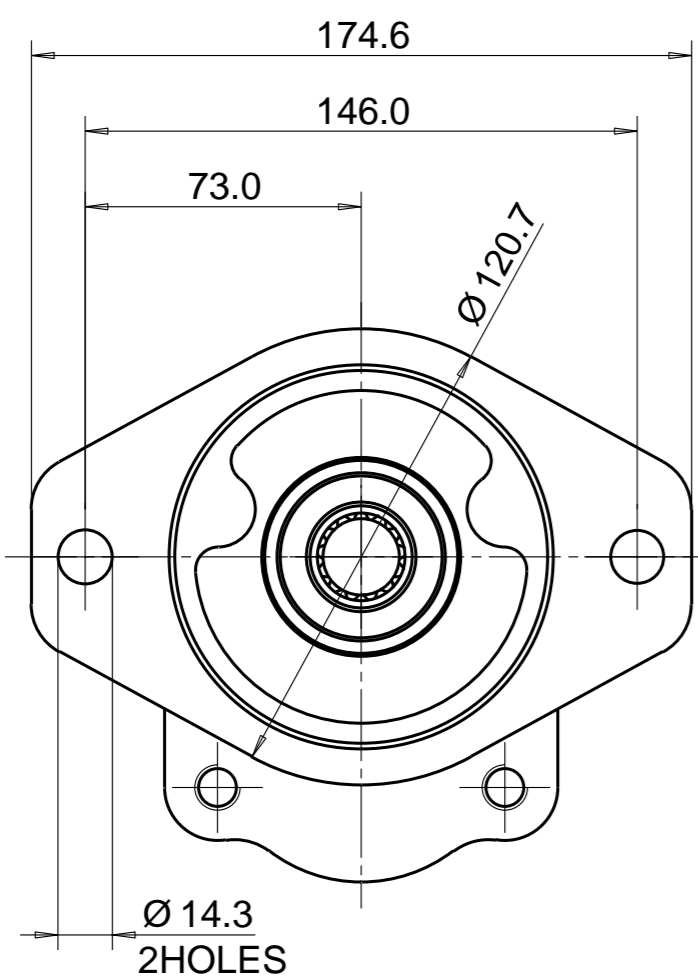


PUMP DATA	
DISPLACEMENT	33,0 ccm
MAX. PRESSURE	250 bar
SPEED RATE	500 TO 2500 min ⁻¹
MAX. INPUT SHAFT TORQUE	345 Nm
ROTATION	CLOCKWISE



SAE INVOLUTE SPLINE
13 TEETH - 16/32 PITCH
FLAT ROOT SIDE FIT
MAJOR DIA 21.67-21.79
MINOR DIA 18.631 MAX.



NOTE

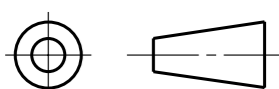
1 FOR ASSEMBLY INSTRUCTIONS SEE DWG. NO. "517-B1"
"PGP517 PUMP ASSEMBLY INSTRUCTIONS".

28	391 2882 162	2	SEAL. BK-UP	36			
27	391 2882 161	2	SEAL. CHAN.	35			
26	391 2185 093	2	THRBLK/BSHG	34			
25				33			
24				32	391 1432 004	2	SCREW. DR.
23				31	391 2183 227	1	NAMEPLATE
22				30	391 2080 080	2	PIN. DOWEL
21	391 2883 058	1	SEAL. LIP	29	391 2882 514	2	SEAL. SECT.
ITEM	PART NO	REQD		ITEM	PART NO	REQD	

20							
19							
18							
17							
16	391 1401 556	4	CAPSCREW (130 MM)				
15	391 3782 232	4	WASHER				
14							
13							
12							
11							
10	333 2933 340	1	SET, GEAR SHAFT				
9							
8							
7							
6							
5							
4							
3	333 8833 906	1	HOUSING. GEAR				
2	333 3000 100	1	HOUSING. PEC				
1	333 5020 203	1	HOUSING. SEC				
ITEM	PART NO	REQD		ITEM	PART NO	REQD	DESCRIPTION

27FEB03 PG 43210

THIRD ANGLE PROJECTION



EXP NO.

FIRST USED

96-06-984/03-02-99926

333 9111 021

B SECTION SEAL POS. #29 CHANGED TO 3912882514 (WAS 3912881430)

SYM. REVISIONS 26AUG08 JS 08-08-946

THIS DOCUMENT CONTAINS INFORMATION THAT IS CONFIDENTIAL AND PROPRIETARY TO PARKER-HANNIFIN CORPORATION ("PARKER"). THIS DOCUMENT IS FURNISHED ON THE UNDERSTANDING THAT THE DOCUMENT AND THE INFORMATION IT CONTAINS WILL NOT BE COPIED OR DISCLOSED TO OTHERS OR USED FOR ANY PURPOSE OTHER THAN CONDUCTING BUSINESS WITH PARKER, AND WILL BE RETURNED AND ALL FURTHER USE DISCONTINUED UPON REQUEST BY PARKER. ALL RIGHTS RESERVED.

PGP517A0330CD1H3NJ9J8B1B1

MATERIAL

ADM CTR P
REV DTE 26AUG08

H.E.-STD:

WT 8.7 kg

DIMENSIONS ARE MM

Parker Pump & Motor Division
Chemnitz

DR. BY DATE CH. BY DATE SCALE
PG 24JUN96 WS 24JUN96 1/2

333 9111 021

© 2008 Parker Hannifin Corporation