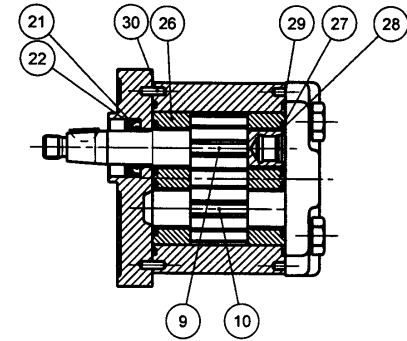
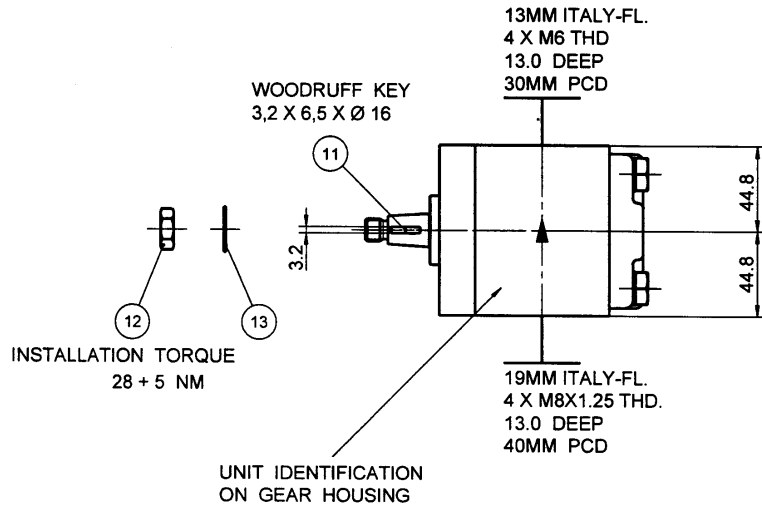
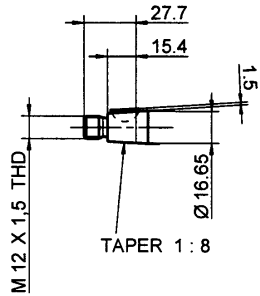
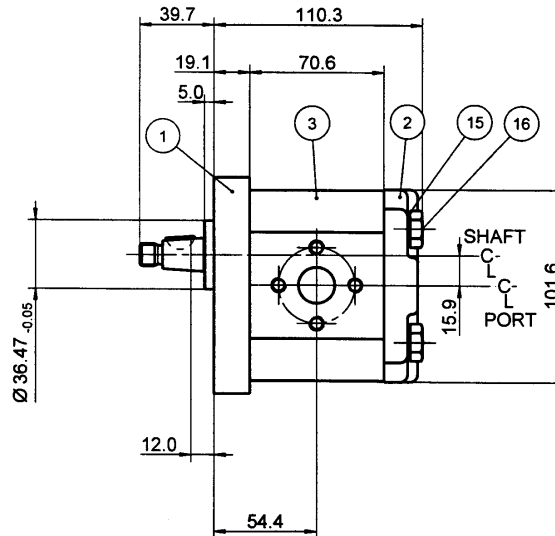
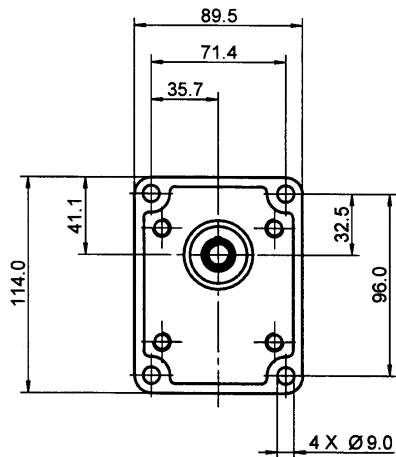


PUMP DATA	
DISPLACEMENT	19,0 ccm
MAX. CONT. PRESSURE	250 bar
SPEED RATE	500 TO 2600 min <sup>-1</sup>
MAX. INPUT SHAFT TORQUE	198 NM
ROTATION	ANTI CLOCKWISE



**NOTE**

▽ FOR ASSEMBLY INSTRUCTIONS SEE DWG. NO. "511-B1" "PGP511 PUMP ASSEMBLY INSTRUCTIONS".

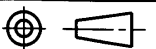


ITEM	PART NO	REQD	ITEM	PART NO	REQD
28	8611-015-000	2	SEAL. BK-UP	36	
27	8611-016-00R	2	SEAL. CHAN.	35	
26	8898-207-00U	2	THRBLK/BSHG	34	
25				33	
24				32	
23				31	
22	9211-323-00B	1	RING, SNAP	30	391 2080 078 2
21	8301-019-00K	1	SEAL. LIP	29	9313-145-00B 2

BOM. COMPONENT

ITEM	PART NO	REQD	DESCRIPTION
20	SEE ABOVE	1	BOM. COMPONENT
19			
18			
17			
16	391 1401 545	4	SCREW (100 MM)
15	391 3782 231	4	WASHER
14			
13	391 3782 307	1	WASHER
12	391 1451 168	1	NUT
11	391 1781 112	1	KEY
10	334 2719 000	1	DRIVEN GEAR
9	334 1919 601	1	DRIVE GEAR
8			
7			
6			
5			
4			
3	334 8119 907	1	HOUSING. GEAR
2	332 3000 100	1	HOUSING. PEC
1	334 5041 202	1	HOUSING. SEC

THIRD ANGLE PROJECTION



EXP NO.

FIRST USED

01 - 12 - 940

334 9112 195

SYM.

REVISIONS

THIS DOCUMENT CONTAINS INFORMATION THAT IS CONFIDENTIAL AND PROPRIETARY TO PARKER HANNIFIN CORPORATION ("PARKER"). THIS DOCUMENT IS FURNISHED ON THE UNDERSTANDING THAT THE DOCUMENT AND INFORMATION WILL BE NOT COPIED OR DISCLOSED TO OTHERS OR USED FOR ANY PURPOSE OTHER THAN CONDUCTING BUSINESS WITH PARKER, AND WILL BE RETURNED AND ALL FURTHER USE DISCONTINUED UPON REQUEST BY PARKER. ALL RIGHTS RESERVED.

PGP511M0190AS2D3NL2L1B1B1

MATERIAL

ADM

CTR

P

REV

DTE

000000

H.E.-STD:

WT

DIMENSIONS ARE — MM —

**Parker** Hydraulic Controls Division  
Sachsenhydraulik GmbH  
Chemnitz

DR. BY DATE CH. BY DATE SCALE  
PG 17DEC01 WS 17DEC01 1/2

334 9112 195

© 2001 Parker-Hannifin Corporation