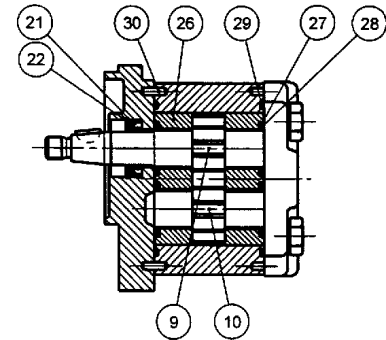
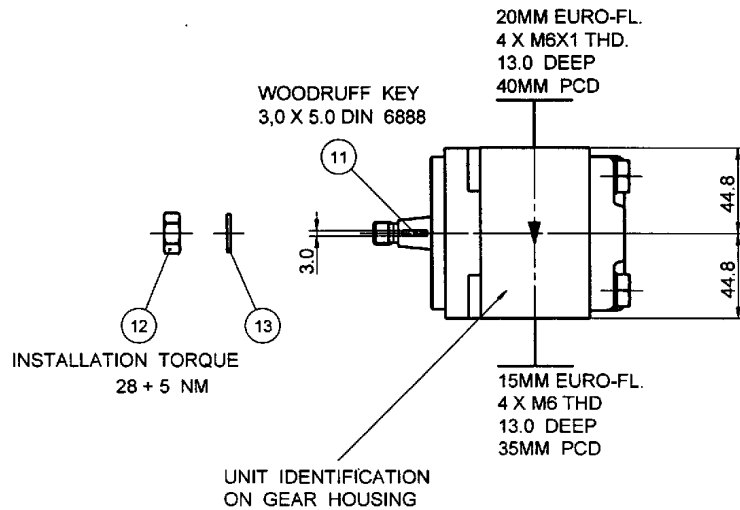
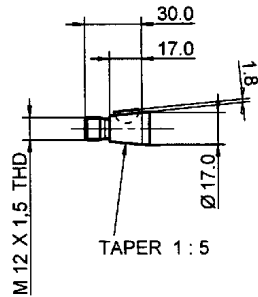
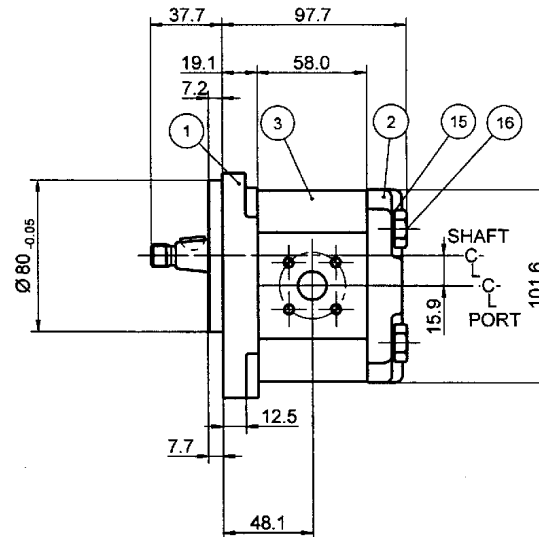
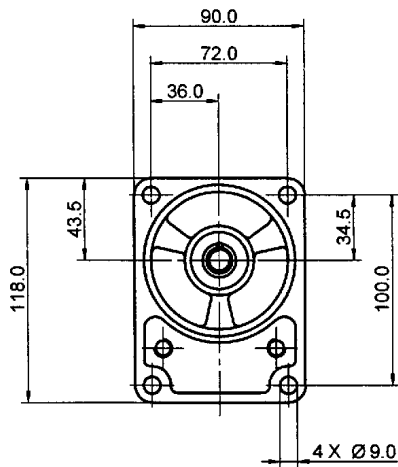


PUMP DATA	
DISPLACEMENT	11,0 ccm
MAX. CONT. PRESSURE	250 bar
SPEED RATE	500 TO 3500 min ⁻¹
MAX. INPUT SHAFT TORQUE	193 NM
ROTATION	CLOCKWISE



NOTE

FOR ASSEMBLY INSTRUCTIONS SEE DWG. NO. "511-B1" "PGP511 PUMP ASSEMBLY INSTRUCTIONS".

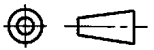


ITEM	PART NO.	REQ'D	ITEM	PART NO.	REQ'D
28	8611-015-000	2	SEAL. BK-UP	36	
27	8611-016-00R	2	SEAL. CHAN.	35	
26	8898-207-00U	2	THRBLK/BSHG	34	
25				33	
24				32	
23				31	
22	9211-323-00B	1	RING. SNAP	30	391 2080 078 2
21	8301-019-00K	1	SEAL. LIP	29	9313-145-00B 2

BOM. COMPONENT

ITEM	PART NO.	REQ'D	DESCRIPTION
20	SEE ABOVE	1	BOM. COMPONENT
19			
18			
17			
16	391 1401 856	4	SCREW (88 MM)
15	391 3782 231	4	WASHER
14			
13	391 3782 259	1	WASHER
12	391 1451 160	1	NUT
11	391 1781 099	1	KEY
10	334 2711 000	1	DRIVEN GEAR
9	334 1811 600	1	DRIVE GEAR
8			
7			
6			
5			
4			
3	334 8111 901	1	HOUSING. GEAR
2	332 3000 100	1	HOUSING. PEC
1	334 5041 203	1	HOUSING. SEC

THIRD ANGLE PROJECTION



EXP. NO.
FIRST USED
01 - 06 - 962
334 9111 152

SYM.	REVISIONS
------	-----------

THIS DOCUMENT CONTAINS INFORMATION THAT IS CONFIDENTIAL AND PROPRIETARY TO PARKER HANNIFIN CORPORATION (PARKER). THIS DOCUMENT IS FURNISHED ON THE UNDERSTANDING THAT THE DOCUMENT AND INFORMATION WILL BE NOT COPIED OR DISCLOSED TO OTHERS OR USED FOR ANY PURPOSE OTHER THAN CONDUCTING BUSINESS WITH PARKER, AND WILL BE RETURNED AND ALL FURTHER USE DISCONTINUED UPON REQUEST BY PARKER. ALL RIGHTS RESERVED.

PGP511A0110CS1D4NJ7J5B1B1

MATERIAL	ADM CTR P	DR BY	DATE	CH BY	DATE	SCALE
H.E.-STD:	REV DTE 000000	WS	27JUN01	KH	27JUN01	1/2
	WT	DIMENSIONS ARE <u>MM</u>		334 9111 152		
© 2001 Parker-Hannifin Corporation						

