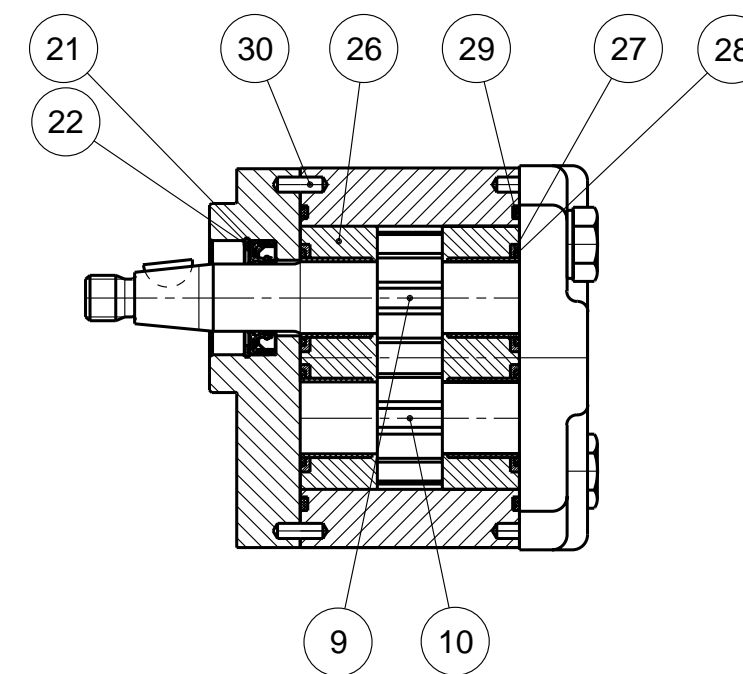
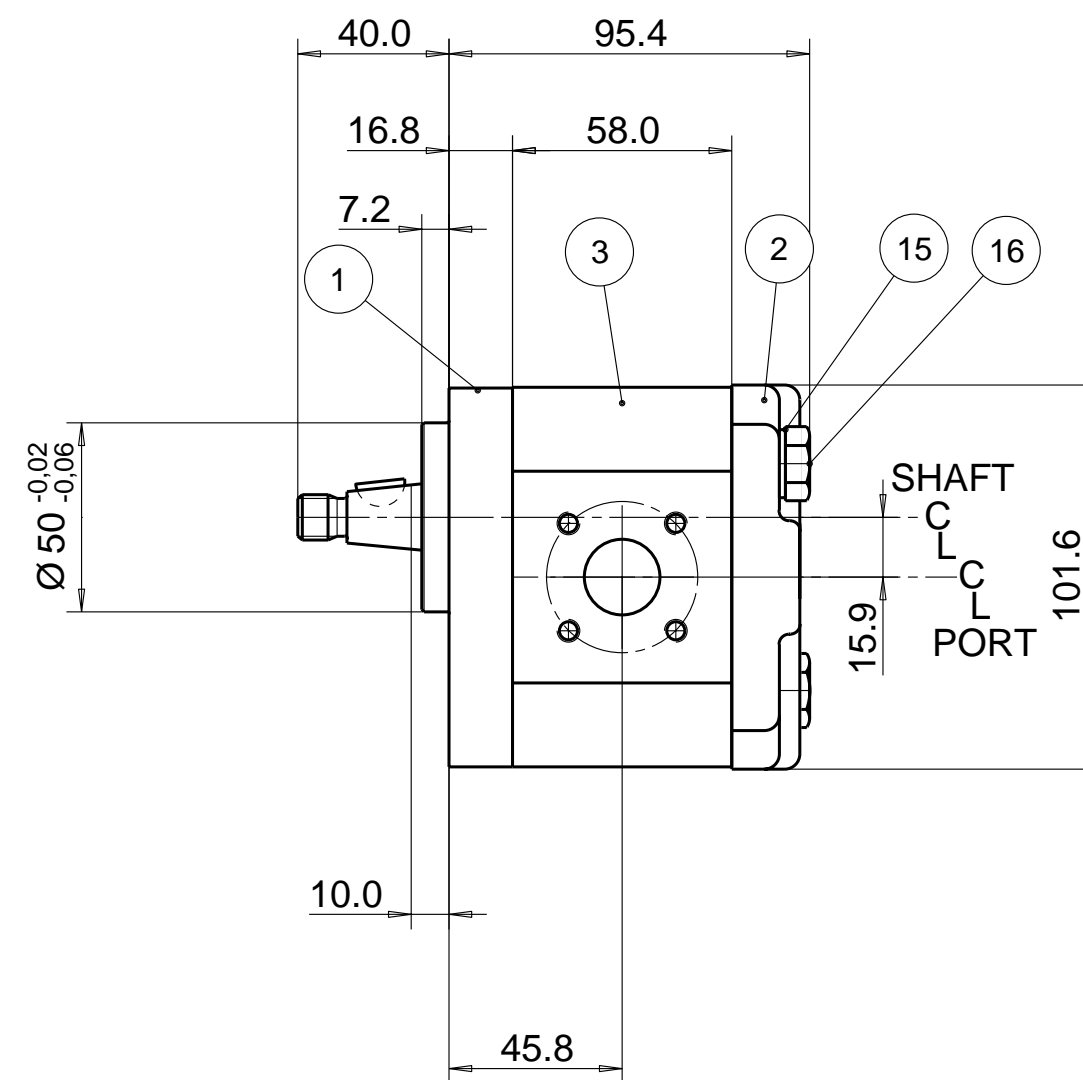
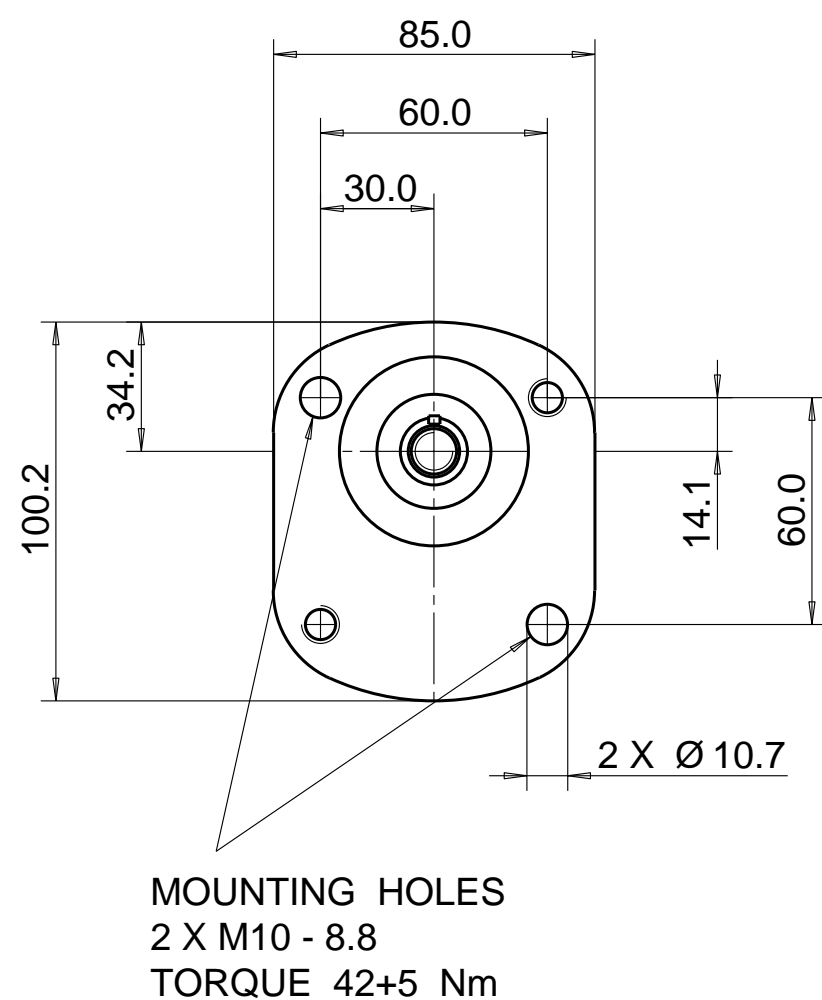
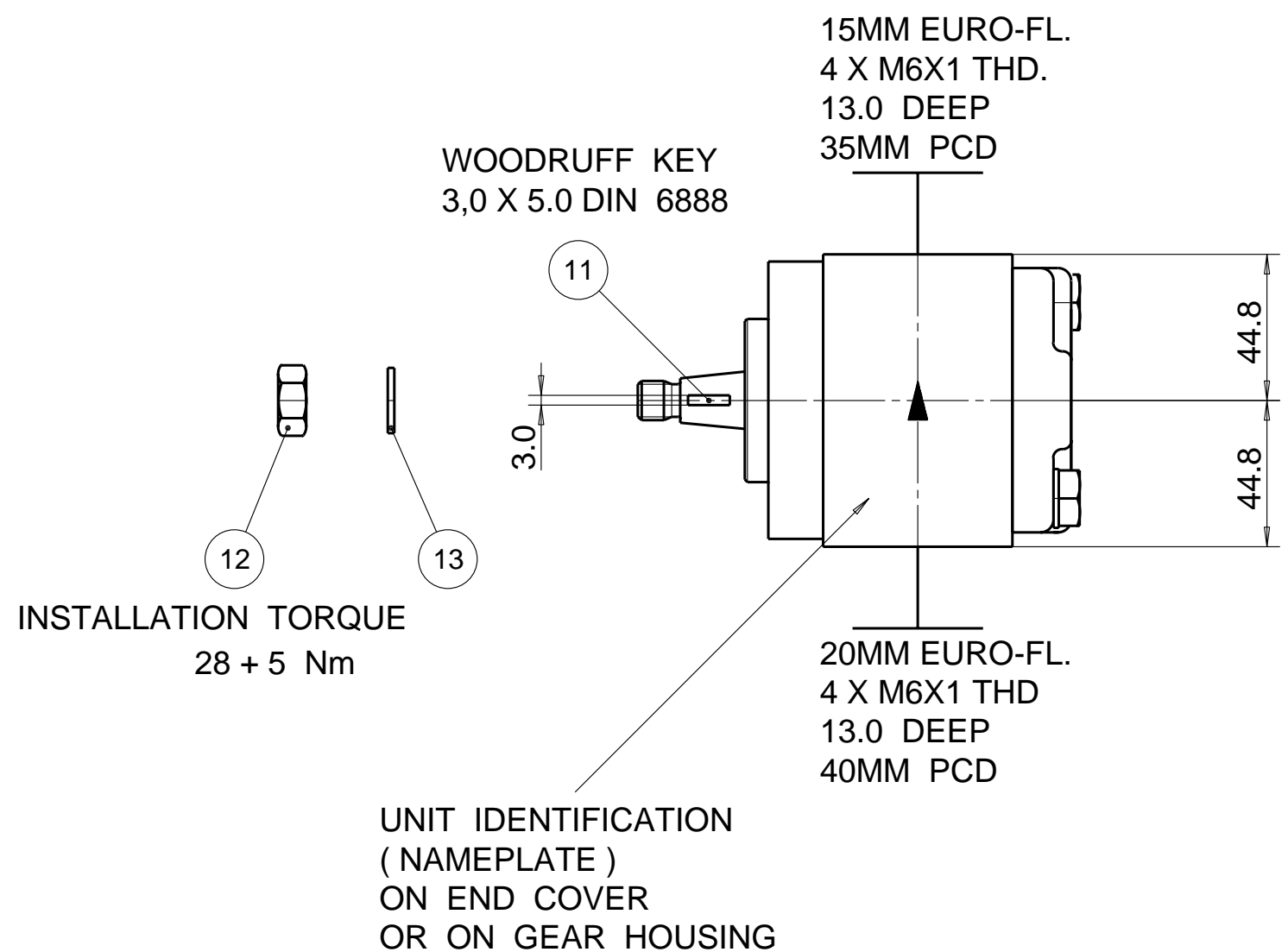
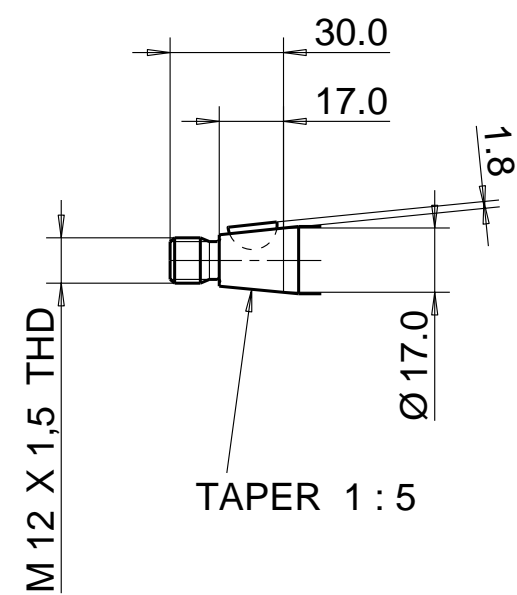


PUMP DATA	
DISPLACEMENT	11,0 ccm
MAX. PRESSURE	250 bar
SPEED RATE	500 TO 3500 min <sup>-1</sup>
MAX. INPUT SHAFT TORQUE	193 Nm
ROTATION	ANTI CLOCKWISE



**NOTE**

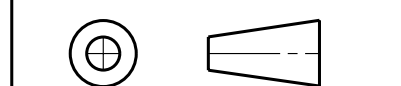
1 FOR ASSEMBLY INSTRUCTIONS SEE DWG. NO. "511-B1" "PGP511 PUMP ASSEMBLY INSTRUCTIONS".

ITEM	PART NO	REQD	DESCRIPTION	ITEM	PART NO	REQD	DESCRIPTION
28	8611-015-000	2	SEAL. BK-UP	36			
27	8611-016-00R	2	SEAL. CHAN.	35			
26	8898-207-00U	2	THRBLK/BSHG	34			
25				33			
24				32			
23				31			
22	9211-323-00B	1	RING, SNAP	30	391 2080 078	2	PIN. DOWEL
21	8301-019-00K	1	SEAL. LIP	29	9313-145-00B	2	SEAL. SECT.

B

ITEM	PART NO	REQD	DESCRIPTION
20			
19			
18			
17			
16	391 1401 542	2	SCREW (85 MM)
15	391 3782 231	2	WASHER
14			
13	391 3782 259	1	WASHER
12	391 1451 160	1	NUT
11	391 1781 099	1	KEY
10	334 2711 000	1	DRIVEN GEAR
9	334 1811 600	1	DRIVE GEAR
8			
7			
6			
5			
4			
3	334 8111 901	1	HOUSING. GEAR
2	332 3000 100	1	HOUSING. PEC
1	334 5051 202	1	HOUSING. SEC

THIRD ANGLE PROJECTION



EXP NO.

FIRST USED

01 - 12 - 949

334 9112 211

B SCREW CHANGED TO 3911401542 (WAS 3911401856)

SYM. REVISIONS 28JAN09 JS 09-01-940

THIS DOCUMENT CONTAINS INFORMATION THAT IS CONFIDENTIAL AND PROPRIETARY TO PARKER-HANNIFIN CORPORATION ("PARKER"). THIS DOCUMENT IS FURNISHED ON THE UNDERSTANDING THAT THE DOCUMENT AND THE INFORMATION IT CONTAINS WILL NOT BE COPIED OR DISCLOSED TO OTHERS OR USED FOR ANY PURPOSE OTHER THAN CONDUCTING BUSINESS WITH PARKER, AND WILL BE RETURNED AND ALL FURTHER USE DISCONTINUED UPON REQUEST BY PARKER. ALL RIGHTS RESERVED.

**PGP511A0110AS1Q4NJ7J5B1B1**

MATERIAL

ADM CTR P  
REV DTE 28JAN09

H.E.-STD:

WT 3.7 kg

DIMENSIONS ARE MM

**Parker** Pump & Motor Division  
Chemnitz

DR.BY DATE CH.BY DATE SCALE  
PG 19DEC01 WS 19DEC01 1/2

**334 9112 211**

© 2009 Parker Hannifin Corporation