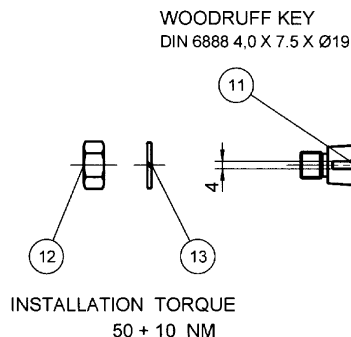
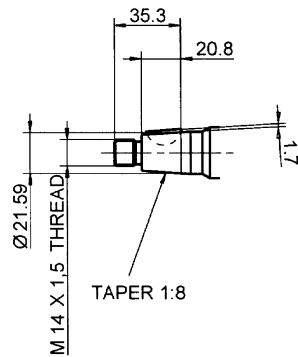
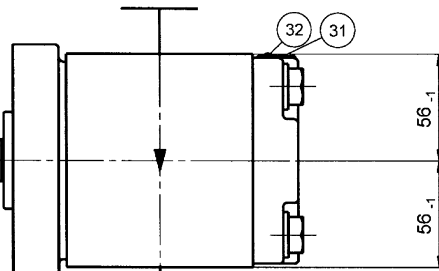


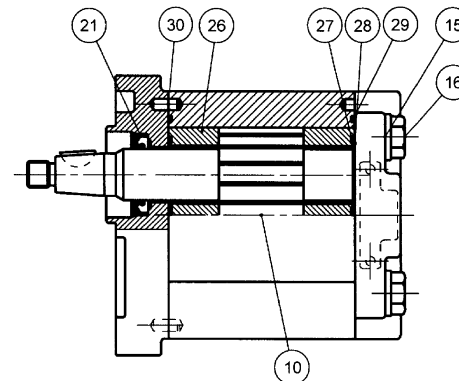
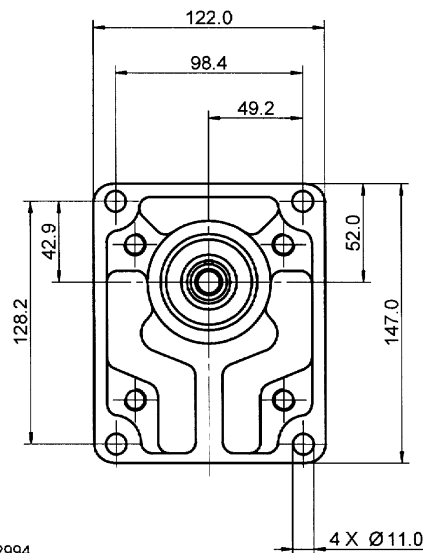
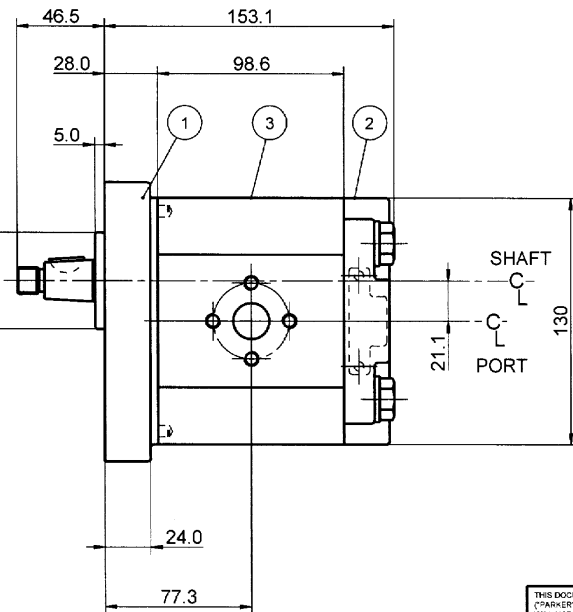
PUMP DATA	
DISPLACEMENT	44,0 ccm
MAX. CONT. PRESSURE	220 bar
SPEED RATE	500 TO 2000 min ⁻¹
MAX. INPUT SHAFT TORQUE	250 Nm
ROTATION	CLOCKWISE



27MM ITALY-FL.
4 X M10X1.5 THD.
18.0 DEEP
51MM PCD



19MM ITALY-FL.
4 X M8X1.25 THD.
15.0 DEEP
40MM PCD



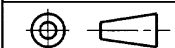
NOTE
FOR ASSEMBLY INSTRUCTIONS SEE DWG. NO. "517-B1"
"PGP517 PUMP ASSEMBLY INSTRUCTIONS".

28	391 2882 162	2	SEAL BK-UP	36		
27	391 2882 161	2	SEAL CHAN.	35		
26	391 2185 093	2	THRBLK/BSHG	34		
25				33		
24				32	391 1432 004	2 SCREW DR.
23				31	391 2183 227	1 NAMEPLATE
22				30	391 2080 080	2 PIN DOWEL
21	391 2883 058	1	SEAL LIP	29	391 2882 148	2 SEAL SECT.
ITEM	PART NO	REQD		ITEM	PART NO	REQD

20	SEE ABOVE		BOM. COMPONENT
19			
18			
17			
16	391 1401 557	4	CAPSCREW (140 MM)
15	391 3782 232	4	WASHER
14			
13	391 3782 260	1	WASHER
12	391 1451 161	1	NUT
11	391 1781 115	1	KEY
10	333 2944 673	1	SET, GEAR SHAFT
9			
8			
7			
6			
5			
4			
3	333 8144 911	1	HOUSING. GEAR
2	333 3000 100	1	HOUSING. PEC
1	333 5040 205	1	HOUSING. SEC
ITEM	PART NO	REQD	DESCRIPTION

01NOV01 WS 42994

THIRD ANGLE PROJECTION



EXP NO.
73330:4018226

FIRST USED
96 - 08 - 957

333 9111 046

DWG. REDRAWN

SYM. REVISIONS

THIS DOCUMENT CONTAINS INFORMATION THAT IS CONFIDENTIAL AND PROPRIETARY TO PARKER-HANNIFIN CORPORATION.
©PARKER. THIS DOCUMENT IS FURNISHED ON THE UNDERSTANDING THAT THE INFORMATION IT CONTAINS
WILL NOT BE COPIED OR DISCLOSED TO OTHERS OR USED FOR ANY PURPOSES OTHER THAN CONDUCTING BUSINESS WITH PARKER
AND WILL BE RETURNED AND ALL FURTHER USE DISCONTINUED UPON REQUEST BY PARKER. ALL RIGHTS RESERVED.

PGP517A0440CT1D7NL3L2B1B1

MATERIAL

ADM
CTR P

REV
DTE 18JUN03

H.E.-STD:

wt 9.2 Kg

CH BY

DATE 30JUL96

SCALE 1/2

DR BY

DATE 30JUL96

CH BY

DATE 30JUL96

SCALE 1/2

DR BY

DATE 30JUL96

Parker Hydraulic Controls Division
Sachsenhydraulik GmbH
Chemnitz

333 9111 046

© 2003 Parker-Hannifin Corporation

DIMENSIONS ARE —MM—