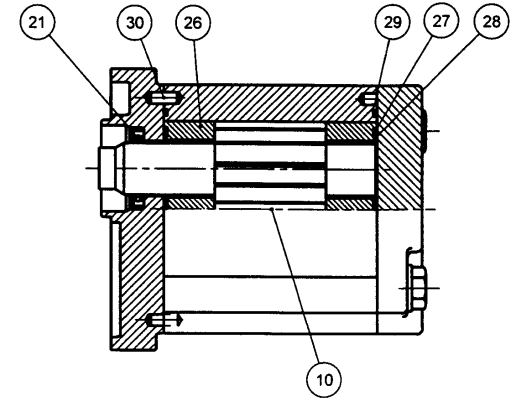
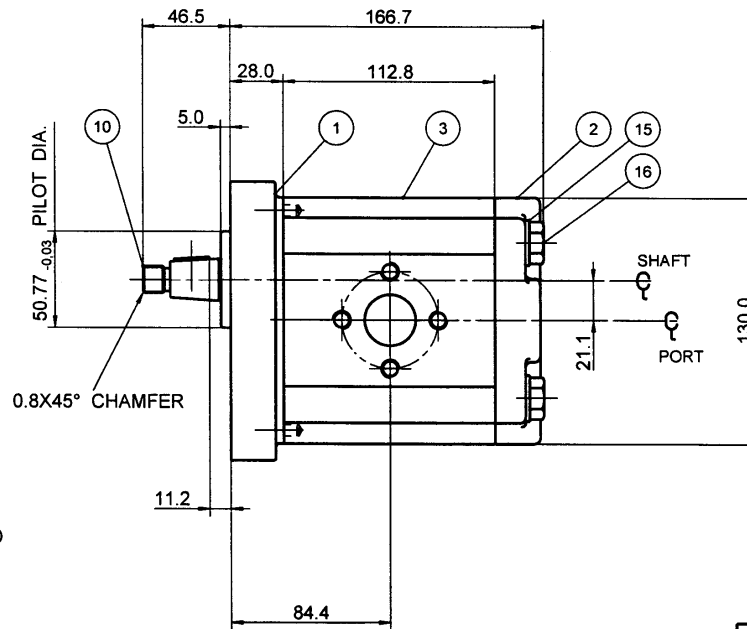
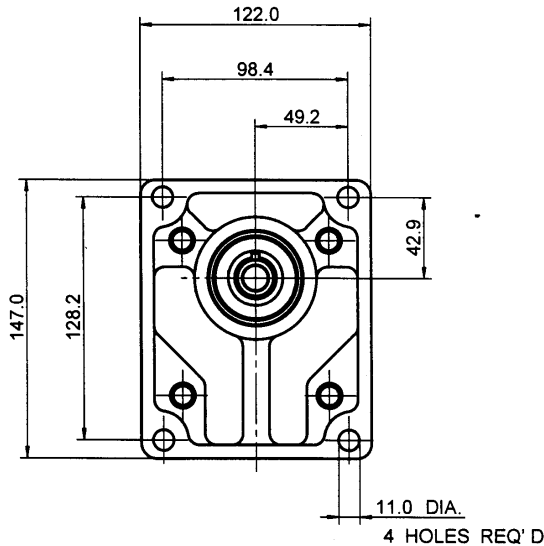
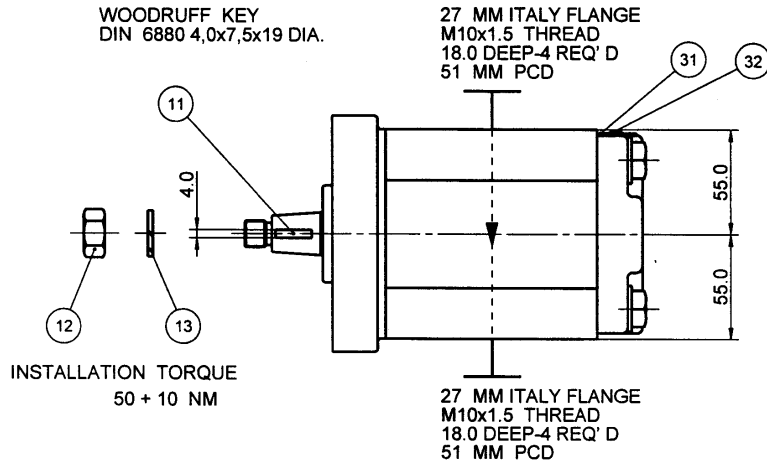
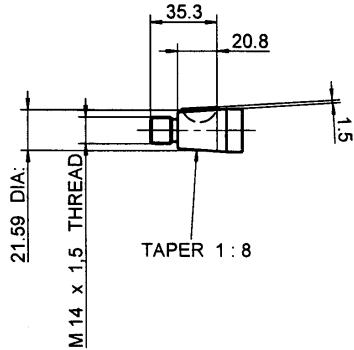


PUMP DATA	
DISPLACEMENT	58,0 ccm
MAX.CONT.PRESSURE	180 bar
SPEED RATE	500 TO 1600 min <sup>-1</sup>
MAX. INPUT SHAFT TORQUE	250 Nm
ROTATION	CLOCKWISE



**NOTE**  
FOR ASSEMBLY INSTRUCTIONS SEE DWG. NO. "517-B1"  
"PGP517 PUMP ASSEMBLY INSTRUCTIONS".

28	391 2882 162	2	SEAL. BK-UP	36			
27	391 2882 161	2	SEAL. CHAN.	35			
26	391 2185 093	2	THRBLK/BSHG	34			
25				33			
24				32	391 1432 004	2	SCREW.DRIVE
23				31	391 2183 227	1	NAMEPLATE
22				30	391 2080 080	2	PIN. DOWEL
21	391 2883 058	1	SEAL. LIP	29	391 2882 148	2	SEAL. SECT.
ITEM	PART NO	REQ'D		ITEM	PART NO	REQ'D	

BOM. COMPONENT							
ITEM	PART NO	REQ'D		ITEM	PART NO	REQ'D	
20	SEE ABOVE	1	BOM. COMPONENT				
19							
18							
17							
16	391 1401 581	4	CAPSCREW ( 150 MM )				
15	391 3782 232	4	WASHER				
14							
13	391 3782 260	1	WASHER				
12	391 1451 161	1	NUT				
11	391 1781 115	1	KEY				
10	333 2958 673	1	SET, GEAR SHAFT				
9							
8							
7							
6							
5							
4							
3	333 8158 972	1	HOUSING. GEAR				
2	333 3000 100	1	HOUSING. PEC				
1	333 5040 205	1	HOUSING. SEC				
ITEM	PART NO	REQ'D		ITEM	PART NO	REQ'D	DESCRIPTION

THIRD ANGLE PROJECTION	
EXP NO.	
FIRST USED	
01 - 12 - 930	
333 9111 260	
SYM.	REVISIONS

THIS DOCUMENT CONTAINS INFORMATION THAT IS CONFIDENTIAL AND PROPRIETARY TO PARKER HANNIFIN CORPORATION ("PARKER"). THIS DOCUMENT IS FURNISHED ON THE UNDERSTANDING THAT THE DOCUMENT AND INFORMATION WILL BE NOT COPIED OR DISCLOSED TO OTHERS OR USED FOR ANY PURPOSE OTHER THAN CONDUCTING BUSINESS WITH PARKER, AND WILL BE RETURNED AND ALL FURTHER USE DISCONTINUED UPON REQUEST BY PARKER. ALL RIGHTS RESERVED.

**Parker** Hydraulic Controls Division  
Sachsenhydraulik GmbH  
Chemnitz

**PGP517A0580CT1D7NL3L3B1B1**

MATERIAL	ADM CTR P	DRBY DATE	CH.BY DATE	SCALE
	REV DTE 000000	PG 14DEC01	WS 14DEC01	1/2
H.E.-STD:	WT	<b>333 9111 260</b>		
	DIMENSIONS ARE MM	© 2001 Parker-Hannifin Corporation		