

PUMP DATA

Senso di rotazione (guardando l'albero conduttore) Direction of rotation (looking on drive shaft)		Sinistro (S) Anti-clock (S)
Cilindrata - Displacement		8.74 [cm3/rev]
Campo pressione di alimentazione per pompe Inlet pressure range for pump		0.7 - 3 [bar abs.]
Pressione max continua - Max continuous pressure	P1	250 [bar]
Pressione max intermittente - Max intermittent pressure	P2	280 [bar]
Pressione max picco - Max peak pressure	P3	300 [bar]
Velocità - Speed	min P1	600 [min ⁻¹]
	max P1	3500 [min ⁻¹]
Guarnizioni - Seals type		NBR
Temperatura di esercizio - Operating temperature		-25 to +80 [°C]
Campo di viscosità - Viscosity range	recommended	12 to 100 mm ² /s (cSt)
	permitted	max 750 mm ² /s (cSt)
Classe di contaminazione - Contamination class	$\Delta p > 200$ bar $\beta x = 75 - 10 \mu m$	8 - Nas 1638 19/17/14 - ISO 4406
	$\Delta p < 200$ bar $\beta x = 75 - 25 \mu m$	10 - Nas 1638 21/19/16 - ISO 4406
Codice del prototipo - Prototype code		-
Codice cliente - Customer code		-
Valvola di massima pressione - Relief valve		- [bar]
Pressione di stand-by valvola LS - Stand-by pressure LS valve		- [bar]
Peso - Weight		3.440 [kg]
Vernice - Painting		
Trattamenti speciali - Special treatment		

For operating condition outside those stated, please consult Casappa S.p.A. Technical sales department

Signature for approval

Date: _____

PAGE 2 OF 4

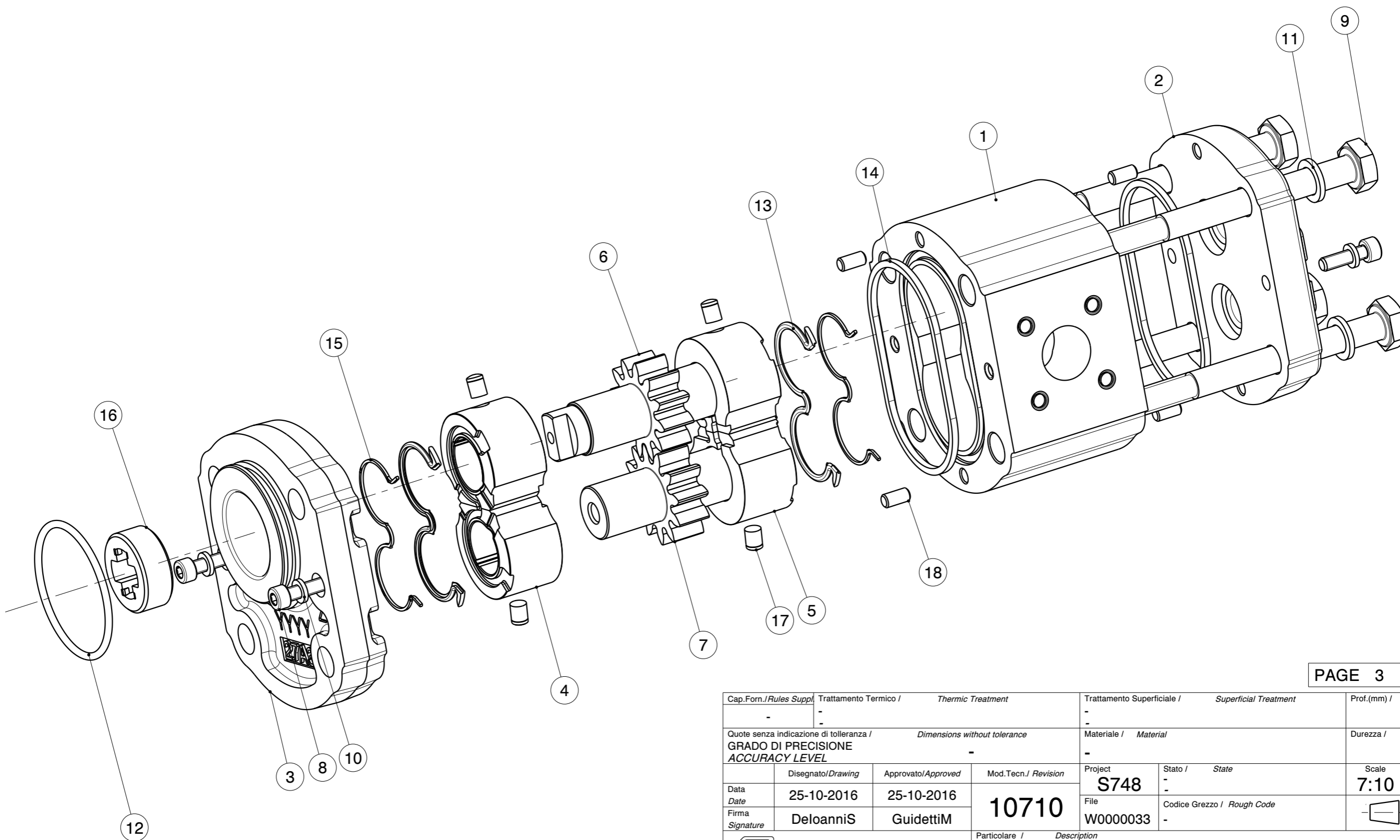
Independently from the max rated pressure values indicated in the table, the max admissible torque of the output shaft and (when applicable) of connecting hub(s) must be respected. Consequently it could be necessary to limit the max working pressures accordingly.

Indipendentemente dai valori di massima pressione riportati in tabella, devono essere rispettate le coppie massime ammissibili su alberi e/o mozzi di trascinamento. Pertanto potrebbe risultare necessario limitare le pressioni massime di esercizio di conseguenza.

Cap.Forn./Rules Suppl.	Trattamento Termico / Heat Treatment	Trattamento Superficiale / Surface Treatment	Prof.(mm) / Depth
-	-	-	-
Quote senza indicazione di tolleranza / Unless otherwise specified tolerances		Materiale / Material	Durezza / Hardness
GRADO DI PRECISIONE ACCURACY LEVEL		-	-
Disegnato/Drawn	Approvato/Approved	Mod.Tecn./ Release change	Progetto/Project
Date	25-10-2016	25-10-2016	7:10
Firma	DeloanniS	GuidettiM	Formato/Size
Signature			A3
10710		File	Scala/Scale
W0000033		Codice Grezzo / Master Code	Formato/Size
-			A3
Descrizione / Description			Ind. Mod./ Index Rev.
POMPA WSP20.8S0-95B6-LBE/BC-N			2
PUMP WSP20.8S0-95B6-LBE/BC-N			
Codice / Code		Sostituisce / It replaces	
W0000033		-	




The information hereon is the property of CASAPPA Spa. Without written permission, any copying, transmittal to others and any use except that for which it's loaned, is prohibited.



Cap.Forn./Rules Suppl.	Trattamento Termico / Thermic Treatment	Trattamento Superficiale / Superficial Treatment	Prof.(mm) / Depth
-	-	-	-
Quote senza indicazione di tolleranza / GRADO DI PRECISIONE ACCURACY LEVEL	Dimensioni without tolerance	Materiale / Material	Durezza / Hardness
-	-	-	-
Disegnato/Drawing	Approvato/Approved	Mod.Tecn./ Revision	Project
25-10-2016	25-10-2016	10710	S748
Firma Signature	DeloanniS	GuidettiM	File
			W0000033
Particolare / Description			Scale
CASAPPA FLUID POWER DESIGN The information hereon is the property of CASAPPA Spa. Without written permission, any copying, trasmittal to others and any use except that for which it's loaned, is prohibited.			7:10
POMPA WSP20.8S0-95B6-LBE/BC-N PUMP WSP20.8S0-95B6-LBE/BC-N			Format
Codice / Code			Ind. Mod./ Index Rev.
W0000033			A3
Sostituisce / Replace		-	
Sostituito da / Replaced from		***	

Pos.	Codice Code	Kit	Q.tà Q.ty	Descrizione Description	Indice modifica Index revision
18	49270000		4	SPINA MM.5x10 UNI1707 H8 DOWEL PIN MM.5x10 UNI1707 H8	0
17	45364550		4	MOLLA PL20 W NBR SPRING PL20 W NBR	0
16	44294000		1	MANICOTTO A CROCE B17 OLDHAM COUPLING B17	1
15	41387100		2	ANTIESTRUSORE Z PL-K20 S/D BACK-UP RING Z PL-K20 S/D	3
14	39666195		2	GUARNIZIONE PL 20 STANDARD SEZIONE QUADRATA STANDARD SEAL PL 20 SQUARE SECTION	0
13	39656100		2	GUARNIZIONE PL-K20 S/D SEAL PL-K20 S/D	1
12	38235000		1	ANELLO TOROIDALE OR 3187 70GRA SH.A(47.30X2.62) OR SEAL 3187 70GRA SH.A(47.30X2.62)	0
11	37583716		4	ROSETTA 10 (10,5x16x2) HV300 GEOMET 321/A WASHER 10 (10,5x16x2) HV300 GEOMET 321/A	0
10	37389019		4	ROSETTA 5 DIN 7980 GEOMET 321/A WASHER 5 DIN 7980 GEOMET 321/A	0
9	36595066		4	VITE TE M 10X105 - 5737 - 10.9 - GEOMET 321/A PLUS M SCREW TE M 10X105 - 5737 - 10.9 - GEOMET 321/A PLUS M	0
8	34409082		4	VITE TCEI M 5X18 5931-8.8 ZINCO-NICHEL SCREW TCEI M 5X18 5931-8.8 ZINCO-NICHEL	0
7	27750594		1	INGR.CONDOTTO F-K-PL20.8 (PAL) DRIVEN GEAR F-K-PL20.8 (PAL)	3
6	27721930		1	INGR.CONDOTTORE K-PL20.8-95 (1) (PAL) DRIVE SHAFT K-PL20.8-95 (1) (PAL)	1
5	25930433		2	SEMIRASAMENTO WS20 S (II) HALF THRUST PLATE WS20 S (II)	8
4	25930431		2	SEMIRASAMENTO WS20 D (II) HALF THRUST PLATE WS20 D (II)	8
3	21910076		1	COPERCHIO ANT. PL20-B6/GH FEZN7A FRONT COVER PL20-B6/GH FEZN7A	1
2	21600180		1	COPERCHIO POST. PL20-B6 FEZN7A REAR COVER PL20-B6 FEZN7A	0
1	17673272		1	CORPO PL20.8-B6-LBE/BC G. HOUS. PL20.8-B6-LBE/BC	13

Cap.Forn./Rules Suppl.	Trattamento Termico / Thermic Treatment	Trattamento Superficiale / Superficial Treatment	Prof.(mm) / Depht
-	-	-	-
Quote senza indicazione di tolleranza / Dimensions without tolerance	Materiale / Material	Durezza / Hardness	
GRADO DI PRECISIONE ACCURACY LEVEL	-	-	
Disegnato/Drawing	Approvato/Approved	Mod.Tecn./ Revision	Project
25-10-2016	25-10-2016	10710	S748
Firma Signature	DeloanniS	GuidettiM	File
			W0000033
			Stato / State
			7:10
			Format
			A4
			Scale
			Format
			7:10
			A4

 CASAPPA® FLUID POWER DESIGN	Particolare / Description POMPA WSP20.8S0-95B6-LBE/BC-N PUMP WSP20.8S0-95B6-LBE/BC-N	Ind. Mod./ Index Rev.
	Codice / Code W0000033	Sostituisce / Replace - Sostituito da / Replaced from ***

The information hereon is the property of CASAPPA Spa. Without written permission, any copying, trasmittal to others and any use except that for which it's loaned, is prohibited.