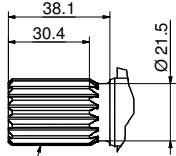
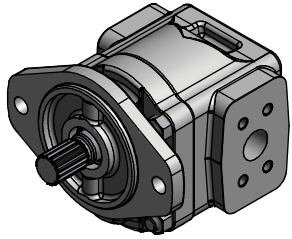


PUMP DATA	
DISPLACEMENT	45.0 ccm
MAX. PRESSURE	260 bar
SPEED RATE	500 TO 3000 rpm
MAX. INPUT SHAFT TORQUE	460 Nm
ROTATION	CLOCKWISE

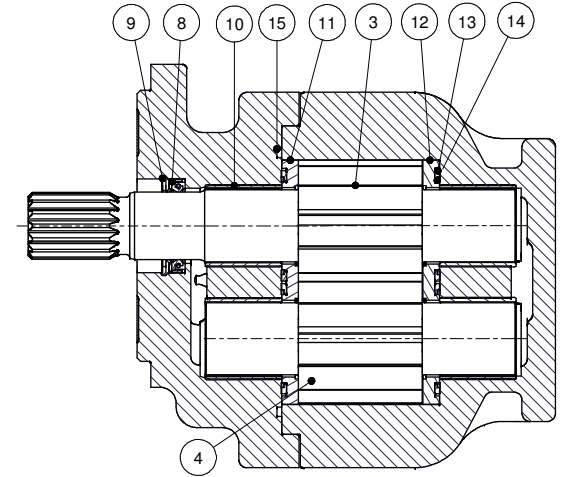
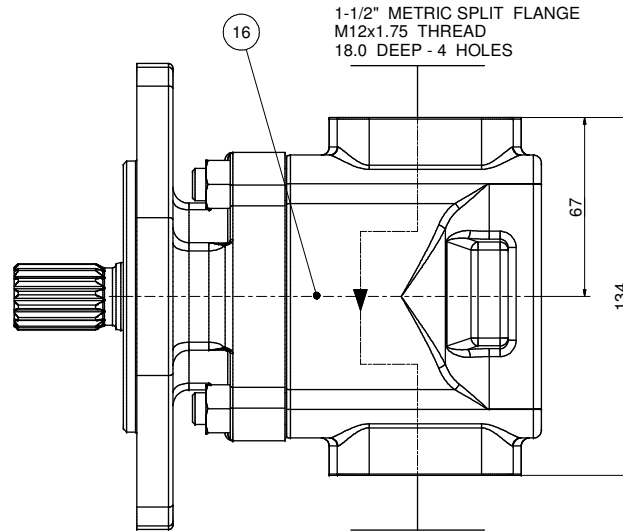
CUSTOMER PART NUMBER  
1000347105

SEAL KIT  
391 1842 574

A



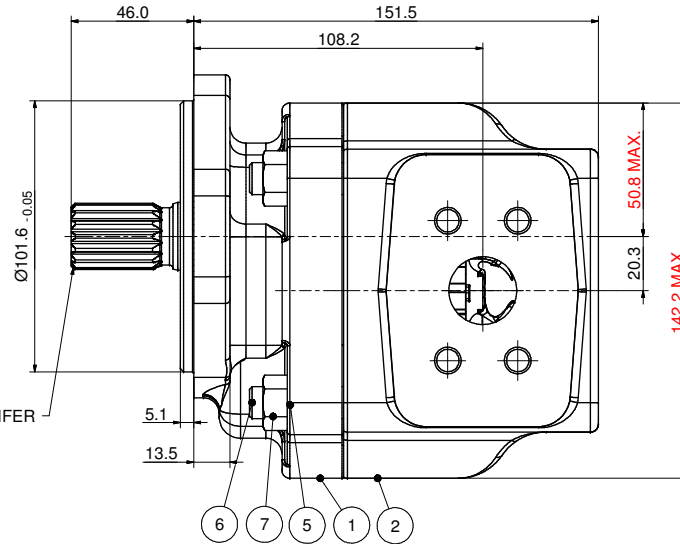
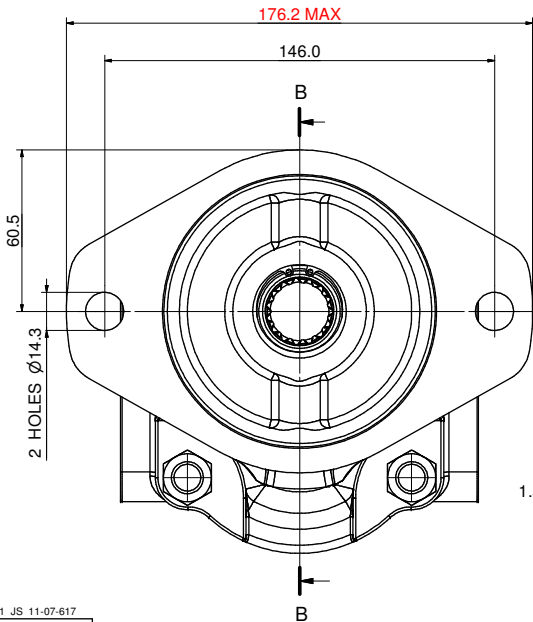
SAE INVOLUTE SPLINE  
15 TEETH - 16/32 PITCH  
FLAT ROOT SIDE FIT  
MAJOR DIA. 24.87 - 24.97  
MINOR DIA. 21.793 MAX.



SECTION B - B

NOTE

- 1 FOR ASSEMBLY INSTRUCTIONS SEE DWG. NO. "625-B1" "PGP625 PUMP ASSEMBLY INSTRUCTIONS".
- 2 NAMEPLATE LOCATION MAY VARY DUE TO DESIGN CRITERIA OR MANUFACTURING LOCATION.



ITEM	PART NO	REQ'D	DESCRIPTION
16	391 2183 396	1	IDENTIFICATION STICKER
15	9312-641-004	1	SECTION SEAL
14	391 2882 162	2	SEAL. BK - UP
13	391 2882 161	2	SEAL. CHAN.
12	391 2185 152	1	BALANCE PLATE
11	391 2185 151	1	BALANCE PLATE
10	391 0482 203	4	BUSHING
9	9211-530-006	1	CIRCLIP
8	8682-119-00W	1	SEAL LIP.
7	391 1451 149	4	M12 NUT
6	8682-007-00M	4	FASTENER M12
5	9222-575-009	4	WASHER
4	705 2745 000	1	DRIVEN GEAR
3	705 1245 800	1	DRIVE GEAR
2	705 8145 529	1	BODY
1	705 5121 000	1	FLANGE

08JUL11 JS 11-07-617
THIRD ANGLE PROJECTION
EXP. NO.
FIRST USED 10-04-648
705 9111 001

A CPN AND SEAL KIT ADDED

SYM. REVISION 04SEP15 TG 15-09-608

WITH EXCEPTION OF DRIVE SHAFT, FLANGE SPIGOT AND MTG. FACE PLUS AREAS AROUND PORTS ALL SURFACES ARE PAINTED BLACK ZSS - A1 (AA-O-05.2)

MATERIAL		ADM CTR P	TOLERANCES UNLESS OTHERWISE SPECIFIED WHOLE NUMBER - REF. DIMENSIONS	DR BY DATE JS 22APR10	CHK BY DATE WS 22APR10	SCALE
REV DTE 04SEP15		WT 13.0 kg	DECIMALS 1 PLACE 2 PLACE ANGLES 8 & 16 MIN ± 1 DEGREE	705 9111 001		
H.E. STD:			DIMENSIONS ARE MM	© 2015 Parker-Hannifin Corporation		