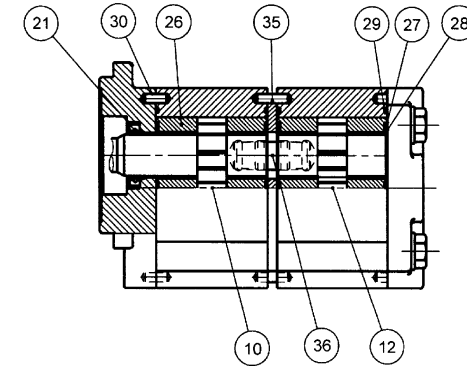
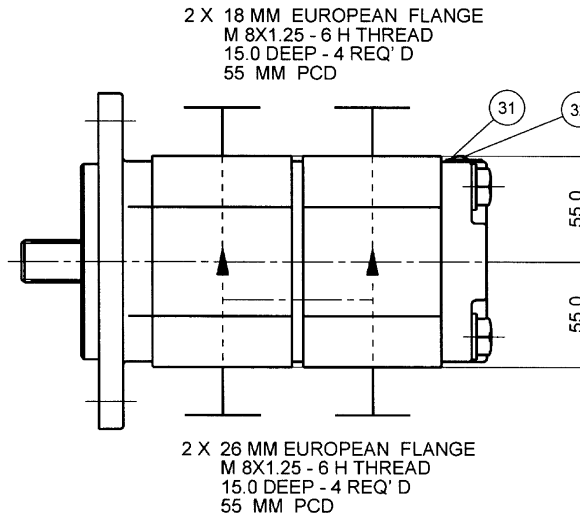
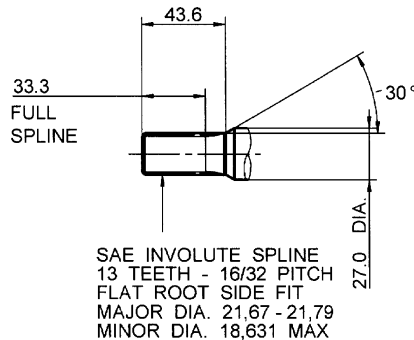


PUMP DATA		
	FRONT PUMP	REAR PUMP
DISPLACEMENT	19.0 ccm	19.0 ccm
MAX.CONT.PRESSURE	250 bar	250 bar
SPEED RATE	500 min ⁻¹ TO	3300 min ⁻¹
MAX. INPUT SHAFT TORQUE	345 NM	



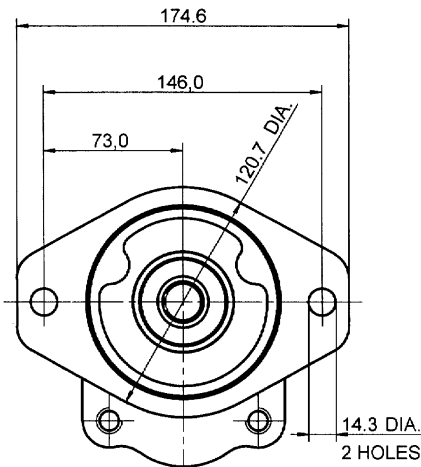
NOTE

FOR ASSEMBLY INSTRUCTIONS SEE DWG. NO. "517-B1" "PGP517 PUMP ASSEMBLY INSTRUCTIONS".

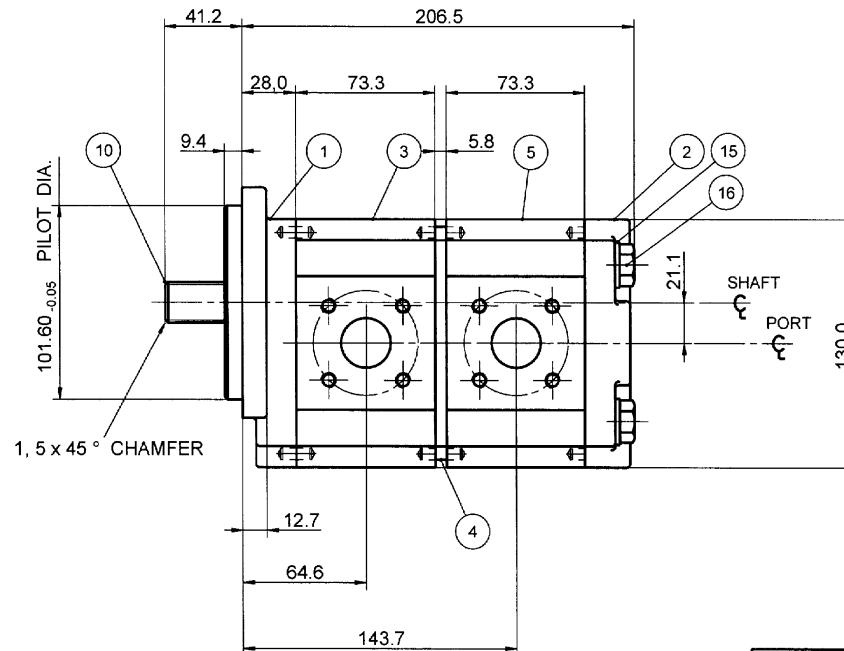
ITEM	PART NO	REQ'D	ITEM	PART NO	REQ'D		
28	391 2882 162	4	SEAL. BK-UP	36	324 1133 001	1	SFT. CONN.
27	391 2882 161	4	SEAL. CHAN.	35	391 2080 081	2	PIN, DOWEL
26	391 2185 093	4	THRBLK/BSHG	34			
25				33			
24				32	391 1432 004	2	SCREW, DR.
23				31	391 2183 227	1	NAMEPLATE
22				30	391 2080 080	2	PIN, DOWEL
21	391 2883 104	1	SEAL.LIP.VIT.	29	391 2882 263	4	SEAL.SECT.VIT

BOM. COMPONENT - P17 - IGR - SGLROT					
			BOM. COMPONENT		
20	SEE ABOVE	1	BOM. COMPONENT		
19					
18					
17					
16	391 1401 594	4	CAPSCREW (190 MM)		
15	391 3782 232	4	WASHER		
14					
13					
12	333 2819 000	1	SET, GEAR		
11					
10	333 2919 440	1	SET, GEAR SHAFT		
9					
8					
7					
6					
5	333 8119 906	1	HOUSING, GEAR		
4	391 2183 238	1	PLATE, MID		
3	333 8119 906	1	HOUSING, GEAR		
2	333 3000 100	1	HOUSING, PEC		
1	333 5020 203	1	HOUSING, SEC		

ITEM	PART NO	REQ'D	DESCRIPTION
20	SEE ABOVE	1	BOM. COMPONENT
19			
18			
17			
16	391 1401 594	4	CAPSCREW (190 MM)
15	391 3782 232	4	WASHER
14			
13			
12	333 2819 000	1	SET, GEAR
11			
10	333 2919 440	1	SET, GEAR SHAFT
9			
8			
7			
6			
5	333 8119 906	1	HOUSING, GEAR
4	391 2183 238	1	PLATE, MID
3	333 8119 906	1	HOUSING, GEAR
2	333 3000 100	1	HOUSING, PEC
1	333 5020 203	1	HOUSING, SEC

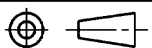


THIS UNIT ASSEMBLED FOR CCW ROTATION



UNIT TO BE PAINTED WITH RAL 3011 (RED)

THIRD ANGLE PROJECTION



EXP NO.	
FIRST USED	01 - 06 - 969
	333 9122 043

A PAINTING NOTE ADDED

SYM.	REVISIONS	DATE
		06JUN03 PW 43290

THIS DOCUMENT CONTAINS INFORMATION THAT IS CONFIDENTIAL AND PROPRIETARY TO PARKER HANNIFIN CORPORATION. PARKER'S THIS DOCUMENT IS FURNISHED ON THE UNDERSTANDING THAT THE DOCUMENT AND INFORMATION WILL BE NOT COPIED OR DISCLOSED TO OTHERS OR USED FOR ANY PURPOSE OTHER THAN CONDUCTING BUSINESS WITH PARKER, AND WILL BE RETURNED AND ALL FURTHER USE DISCONTINUED UPON REQUEST BY PARKER. ALL RIGHTS RESERVED.

PGP517B0190AD1H3VJ9J8S-517A0190XJ9J8B1B1

MATERIAL	ADM CTR P	DR BY	DATE	CH BY	DATE	SCALE
H.E.-STD:	REV DTE 06JUN03	PG	02JUL01	WS	02JUL01	1/2
WT		333 9122 043				
	DIMENSIONS ARE MM	© 2001 Parker-Hannifin Corporation				