

## Hydraulic Pumps - Service Information TB

Denison Vane - Flügelzellen - Palettes - Palette - Paletas

aerospace  
climate control  
electromechanical  
filtration  
fluid & gas handling  
hydraulics  
pneumatics  
process control  
sealing & shielding

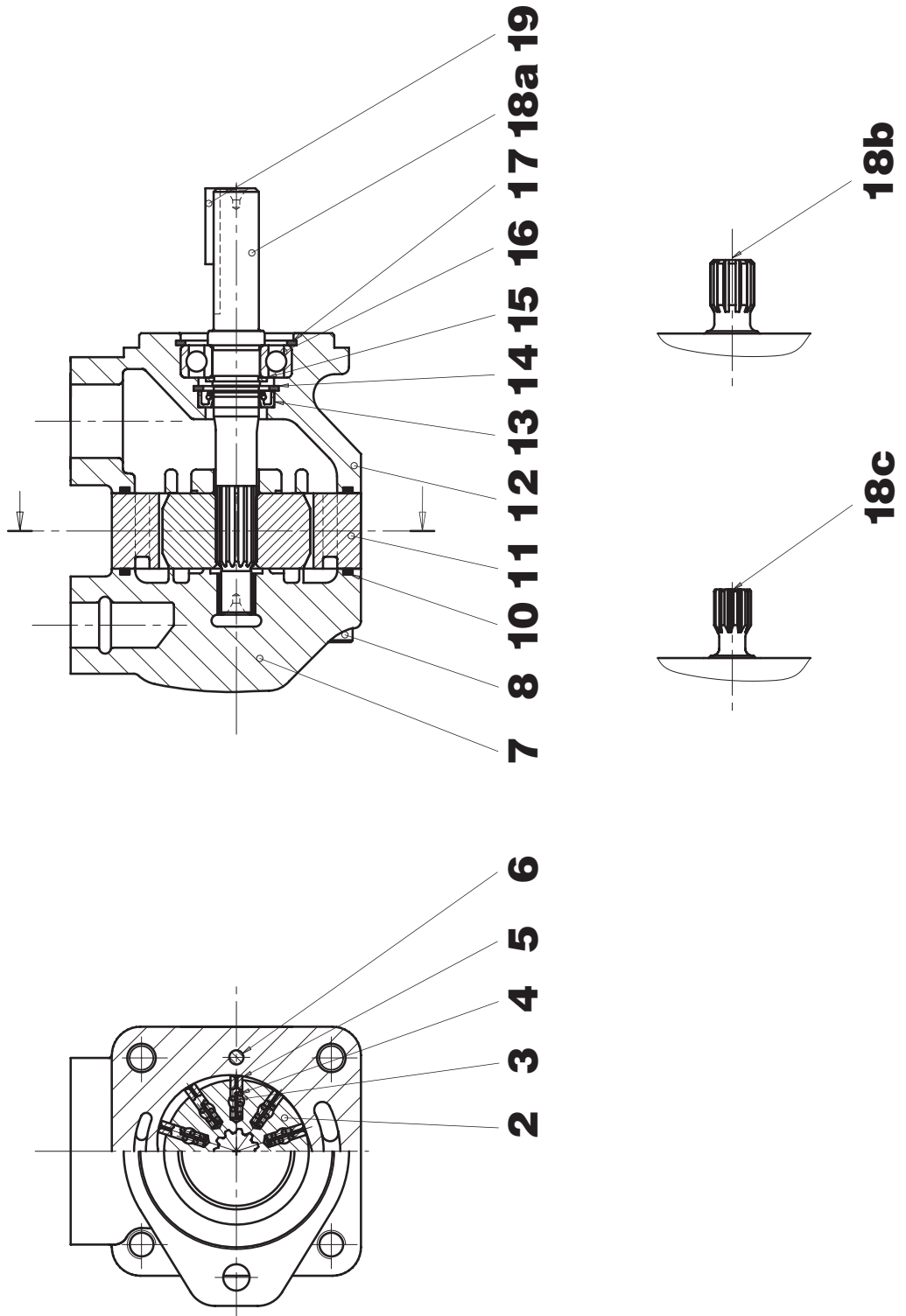


ENGINEERING YOUR SUCCESS.

**TB**

Item - Pos. - Réf. - Pos.	8
Mounting torque	110 Nm 81 ft. lbs
Anziehdrehmoment	
Couple de serrage	
Coppia di serraggio	
Par de apriete	

Recommended repair kits and assy's are bold printed  
 Empfohlene Austausch - Baugruppen sind fett gedruckt  
 Les pochettes de rechange recommandées sont imprimées en caractères gras  
 I kit di ricambio consigliati sono indicati in grassetto  
 Los juegos de reparacion recomendados y los conjuntos, estan en negrita



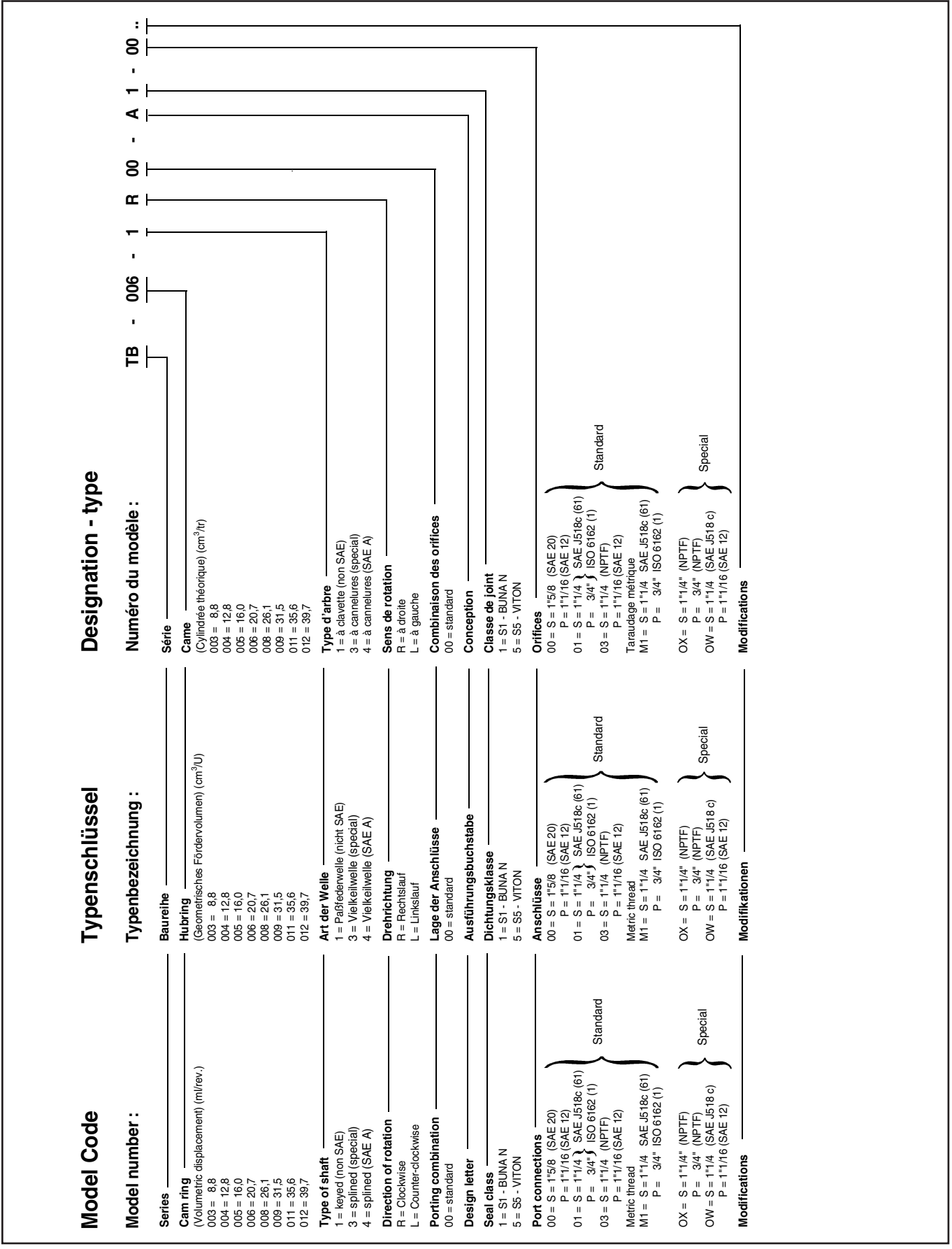
## Spare part list

## Series TB, Denison Vane Pumps

Item Pos. Ref. Pos.	Description Descrizione	Benennung Description	Description	Part N° Teil N° Code N° cod. N° Referencia	Qty Stück Qté C.ta Cant.
2	Rotor insert ass'y Insieme rotore	Rotor Conjunto rotor	Rotor ass.	A 034-44872-0	1
3	Spring guide Guida molla	Federführung	Guide de ressort	A 034-44875-0	30
4	Spring vane Molla	Feder für Flügel Muelle paletta	Ressort de palette	A 034-44874-0	30
5	Vane Paletta	Flügel Paleta	Palette	A 034-44873-0	10
6	Dowel pin Spina	Zentrierstift Pasador	Goupille	A 324-21228-0	2
7	End cap ass'y (Flange 3/4" SAE) Ins. coperchio (Flangia 3/4" SAE)	Gehäuse baugruppe (Flansch 3/4" SAE) Conjunto bocas (SAE 3/4")	Chapeau arrière (bride 3/4" SAE)	S24-31214-0	1
	End cap ass'y (Port SAE 12) Ins. coperchio (connessioni SAE 12)	Gehäuse baugruppe (Anschlüsse SAE 12) Conjunto bocas (bocas SAE 12)	Chapeau arrière (orifice SAE 12)	S24-31215-0	1
8	Screw Vite	Schraube Tornillo	Vis	361-12304-3	4
10	Sq. section seal Guarnizione	Dichting Junta seccion cuadrada	Joint section carrée	E 691-10153-0	2
11	Cam ring 003 Anello camma 003	Hubring 003 Aro volumetrico 003	Came 003	A 034-66625-0	1
	Cam ring 004 Anello camma 004	Hubring 004 Aro volumetrico 004	Came 004	A 034-66632-0	1
	Cam ring 005 Anello camma 005	Hubring 005 Aro volumetrico 005	Came 005	A 034-66620-0	1
	Cam ring 006 Anello camma 006	Hubring 006 Aro volumetrico 006	Came 006	A 034-66633-0	1
	Cam ring 008 Anello camma 008	Hubring 008 Aro volumetrico 008	Came 008	A 034-66642-0	1
	Cam ring 009 Anello camma 009	Hubring 009 Aro volumetrico 009	Came 009	A 034-66634-0	1
	Cam ring 011 Anello camma 011	Hubring 011 Aro volumetrico 011	Came 011	A 034-66643-0	1
	Cam ring 012 Anello camma 012	Hubring 012 Aro volumetrico 012	Came 012	A 034-66635-0	1
	Mounting cap (Flange 1 1/4 SAE) Coperchio (flangia 1 1/4 SAE)	Deckel (Flansch 1 1/4 SAE) Tapa de montaje (SAE 1 1/4)	Chapeau de montage (bride 1 1/4 SAE)	034-66628-0	1
	Mounting cap (Port SAE 20) Coperchio (connessioni SAE 20)	Deckel (Anschlüsse SAE 20) Tapa de montaje (bocas SAE 20)	Chapeau de montage (orifice SAE 20)	034-66629-0	1
	Mounting cap (Port 1 1/4 NPTF) Coperchio (connessioni 1 1/4 NPTF)	Deckel (Anschlüsse 1 1/4 NPTF) Tapa de montaje (bocas 1 1/4 NPTF)	Chapeau de montage (orifice 1 1/4 NPTF)	034-66637-0	1
	13	Shaft seal (S1 - 0,7 bar) Paraolio (S1 - 0,7 bar)	Simmering (S1 - 0,7 bar) Retén eje (S1 - 0,7 bar)	Joint d'arbre (S1 - 0,7 bar)	E 620-00017-3
Shaft seal (S5 - 0,7 bar) Paraolio (S5 - 0,7 bar)		Simmering (S5 - 0,7 bar) Retén eje (S5 - 0,7 bar)	Joint d'arbre (S5 - 0,7 bar)	E 620-00021-3	1

## Spare part list

Item No. Ref. Pos.	Description Descrizione	Benennung Description	Description	Part N° Code N° Cod. N° Referencia	Qty Stock Olla Cant.
14	Retaining ring Anello elastico	Sicherungsring Aro retencion	Circlips	356-30125-0	1
15	Retaining ring Anello elastico	Sicherungsring Aro retencion	Circlips	356-31078-0	1
16	Ball bearing Cuscinetto a sfere	Kugellager Cojinete de bolas	Roulement à billes	230-82149-0	1
17	Retaining ring Anello elastico	Sicherungsring Aro retencion	Circlips	356-30185-0	1
18a	Shaft keyed (code 1) Albero a chiavetta (codice 1)	Paßfedernwelle (Typ 1) Eje chaveteado (codigo 1)	Arbre à clavette (code 1)	034-86636-0	1
18b	Shaft splined (code 3) (special) Albero a scanalato (codice 3) (special)	Viellwelle (Typ 3) (special) Eje estriado (codigo 3) (special)	Arbre à cannelures (code 3) (special)	034-86640-0	1
18c	Shaft splined (code 4) Albero a scanalato (codice 4)	Viellwelle (Typ 4) Eje estriado (codigo 4)	Arbre à cannelures (code 4)	034-86693-0	1
19	Key (code 1) Chiavetta (codice 1)	Paßfeder (Typ 1) Chaveta (codigo 1)	Clavette (code 1)	034-49622-0	1
	<b>REPAIR KIT KIT DI RICAMBIO</b>	<b>AUSTAUSCH-BAUGRUPPEN CONJUNTO REPARACION</b>	<b>POCHETTES RECHANGES</b>		
A	Kit 003 Cartuccia 003	Pumpeneinsatz 003 Juego 003	Cartouche 003	S24-45608-0	1
A	Kit 004 Cartuccia 004	Pumpeneinsatz 004 Juego 004	Cartouche 004	S24-31219-0	1
A	Kit 005 Cartuccia 005	Pumpeneinsatz 005 Juego 005	Cartouche 005	S24-45096-0	1
A	Kit 006 Cartuccia 006	Pumpeneinsatz 006 Juego 006	Cartouche 006	S24-31220-0	1
A	Kit 008 Cartuccia 008	Pumpeneinsatz 008 Juego 008	Cartouche 008	S24-31385-0	1
A	Kit 009 Cartuccia 009	Pumpeneinsatz 009 Juego 009	Cartouche 009	S24-31221-0	1
A	Kit 011 Cartuccia 011	Pumpeneinsatz 011 Juego 011	Cartouche 011	S24-31386-0	1
A	Kit 012 Cartuccia 012	Pumpeneinsatz 012 Juego 012	Cartouche 012	S24-31222-0	1
B	Shaft and key ass'y (code 1) Ins. albero (codice 1)	Baugruppe (Welle mit Paßfeder) (Typ 1) Conjunto eje chaveta (codigo 1)	Arbre et clavette ass. (code 1)	S24-31223-0	1
C	Shaft and bearing ass'y (code 3) Ins. albero (codice 3)	Baugruppe (Welle u. Lager) (Typ 3) Conjunto eje cojinete (codigo 3)	Arbre et roulement ass. (code 3)	S24-31382-0	1
D	Shaft and bearing ass'y (code 4) Ins. albero (codice 4)	Baugruppe (Welle u. Lager) (Typ 4) Conjunto eje cojinete (codigo 4)	Arbre et roulement ass. (code 4)	S24-33566-0	1
E	Seal kit (S1 - 0,7 bar) Serie guarnizioni (S1 - 0,7 bar)	Dichtringsatz (S1 - 0,7 bar) Juego de juntas (S1 - 0,7 bar)	Pochette de joints (S1 - 0,7 bar)	S24-31234-0	1
E	Seal kit (S5 - 0,7 bar) Serie guarnizioni (S5 - 0,7 bar)	Dichtringsatz (S5 - 0,7 bar) Juego de juntas (S5 - 0,7 bar)	Pochette de joints (S5 - 0,7 bar)	S24-31234-5	1



**Designation - type**

**Typenschlüssel**

**Model Code**

Numéro du modèle :

Typenbezeichnung :

Model number :

Série

Baureihe

Série

**Came**  
(Cylindrique théorique) (cm<sup>3</sup>/tr)

**Hubring**  
(Geometrisches Fördervolumen) (cm<sup>3</sup>/U)

**Cam ring**  
(Volumetric displacement) (ml/rev.)

- 003 = 8,8
- 004 = 12,8
- 005 = 16,0
- 006 = 20,7
- 008 = 26,1
- 009 = 31,5
- 011 = 35,6
- 012 = 39,7

- 003 = 8,8
- 004 = 12,8
- 005 = 16,0
- 006 = 20,7
- 008 = 26,1
- 009 = 31,5
- 011 = 35,6
- 012 = 39,7

- 003 = 8,8
- 004 = 12,8
- 005 = 16,0
- 006 = 20,7
- 008 = 26,1
- 009 = 31,5
- 011 = 35,6
- 012 = 39,7

**Type d'arbre**

- 1 = à clavette (non SAE)
- 3 = à cannelures (special)
- 4 = à cannelures (SAE A)

- 1 = keyed (non SAE)
- 3 = splined (special)
- 4 = splined (SAE A)

**Sens de rotation**

- R = à droite
- L = à gauche

- R = Clockwise
- L = Counter-clockwise

**Combinaison des orifices**

- 00 = standard

- 00 = standard

**Conception**

**Ausführungsbuchstabe**

**Design letter**

- 1 = S1 - BUNA N
- 5 = S5 - VITON

- 1 = S1 - BUNA N
- 5 = S5 - VITON

- 1 = S1 - BUNA N
- 5 = S5 - VITON

**Orifices**

- 00 = S = 1"5/8 (SAE 20)
- P = 1"1/16 (SAE 12)
- 01 = S = 1"1/4 (SAE J518c (61))
- P = 3/4" ISO 6162 (1)
- 03 = S = 1"1/4 (NPTF)
- P = 1"1/16 (SAE 12)
- Metric thread
- M1 = S = 1"1/4 SAE J518c (61)
- P = 3/4" ISO 6162 (1)

- 00 = S = 1"5/8 (SAE 20)
- P = 1"1/16 (SAE 12)
- 01 = S = 1"1/4 (SAE J518c (61))
- P = 3/4" ISO 6162 (1)
- 03 = S = 1"1/4 (NPTF)
- P = 1"1/16 (SAE 12)
- Metric thread
- M1 = S = 1"1/4 SAE J518c (61)
- P = 3/4" ISO 6162 (1)

- 00 = S = 1"5/8 (SAE 20)
- P = 1"1/16 (SAE 12)
- 01 = S = 1"1/4 (SAE J518c (61))
- P = 3/4" ISO 6162 (1)
- 03 = S = 1"1/4 (NPTF)
- P = 1"1/16 (SAE 12)
- Metric thread
- M1 = S = 1"1/4 SAE J518c (61)
- P = 3/4" ISO 6162 (1)

- OX = S = 1"1/4" (NPTF)
- P = 3/4" (NPTF)
- OW = S = 1"1/4 (SAE J518 c)
- P = 1"1/16 (SAE 12)

- OX = S = 1"1/4" (NPTF)
- P = 3/4" (NPTF)
- OW = S = 1"1/4 (SAE J518 c)
- P = 1"1/16 (SAE 12)

- OX = S = 1"1/4" (NPTF)
- P = 3/4" (NPTF)
- OW = S = 1"1/4 (SAE J518 c)
- P = 1"1/16 (SAE 12)

**Modifications**

**Modifikationen**

**Modifications**



**Designazione**

**Sigla :**

**Serie** \_\_\_\_\_  
**Tipo di cartuccia** \_\_\_\_\_  
 (Cilindrata) (ml/giro)  
 003 = 8,8  
 004 = 12,8  
 005 = 16,0  
 006 = 20,7  
 008 = 26,1  
 009 = 31,5  
 011 = 35,6  
 012 = 39,7

**Tipo di albero** \_\_\_\_\_  
 1 = a chiavetta (no SAE)  
 3 = scanalato (special)  
 4 = scanalato (SAE A)

**Senso di rotazione** \_\_\_\_\_  
 R = Oroario  
 L = Antiorario

**Orientamento delle bocche** \_\_\_\_\_  
 00 = standard

**Disegno** \_\_\_\_\_

**Tipo di guarnizioni** \_\_\_\_\_  
 1 = S1 - BUNA N  
 5 = S5 - VITON

**Dimensioni delle bocche** \_\_\_\_\_  
 00 = S = 1"5/8 (SAE 20)  
 P = 1"1/16 (SAE 12)  
 01 = S = 1"1/4 } SAE J518c (61)  
 P = 3/4" } ISO 6162 (1) } Standard  
 03 = S = 1"1/4 (NPTF)  
 P = 1"1/16 (SAE 12)  
 Metric thread  
 M1 = S = 1"1/4 SAE J518c (61)  
 P = 3/4" ISO 6162 (1)

OX = S = 1"1/4" (NPTF)  
 P = 3/4" (NPTF)  
 OW = S = 1"1/4 (SAE J518 c)  
 P = 1"1/16 (SAE 12) } Special

**Modifiche** \_\_\_\_\_

**Clave de designación**

**Referencia modelo :**

**Serie** \_\_\_\_\_  
**Aro volumetrico** \_\_\_\_\_  
 (Cilindrata) (ml/rev)  
 003 = 8,8  
 004 = 12,8  
 005 = 16,0  
 006 = 20,7  
 008 = 26,1  
 009 = 31,5  
 011 = 35,6  
 012 = 39,7

**Tipo de eje** \_\_\_\_\_  
 1 = chaveteado (no SAE)  
 3 = estriado (special)  
 4 = estriado (SAE A)

**Sentido de giro** \_\_\_\_\_  
 R = Derecha  
 L = Izquierda

**Posición de bocas** \_\_\_\_\_  
 00 = estándar

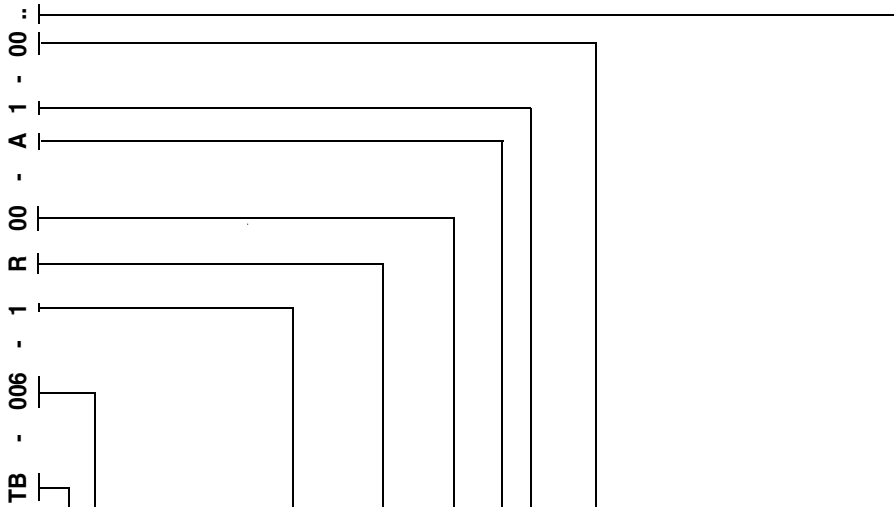
**Letra de diseño** \_\_\_\_\_

**Clase de juntas** \_\_\_\_\_  
 1 = S1 - BUNA N  
 5 = S5 - VITON

**Opciones de las bocas** \_\_\_\_\_  
 00 = S = 1"5/8 (SAE 20)  
 P = 1"1/16 (SAE 12)  
 01 = S = 1"1/4 } SAE J518c (61)  
 P = 3/4" } ISO 6162 (1) } Standard  
 03 = S = 1"1/4 (NPTF)  
 P = 1"1/16 (SAE 12)  
 Metric thread  
 M1 = S = 1"1/4 SAE J518c (61)  
 P = 3/4" ISO 6162 (1)

OX = S = 1"1/4" (NPTF)  
 P = 3/4" (NPTF)  
 OW = S = 1"1/4 (SAE J518 c)  
 P = 1"1/16 (SAE 12) } Special

**Modificaciones** \_\_\_\_\_





**WARNING — USER RESPONSIBILITY**

**FAILURE OR IMPROPER SELECTION OR IMPROPER USE OF THE PRODUCTS DESCRIBED HEREIN OR RELATED ITEMS CAN CAUSE DEATH, PERSONAL INJURY AND PROPERTY DAMAGE.**

- This document and other information from Parker-Hannifin Corporation, its subsidiaries and authorized distributors provide product or system options for further investigation by users having technical expertise.

- The user, through its own analysis and testing, is solely responsible for making the final selection of the system and components and assuring that all performance, endurance, maintenance, safety and warning requirements of the application are met. The user must analyze all aspects of the application, follow applicable industry standards, and follow the information concerning the product in the current product catalog and in any other materials provided from Parker or its subsidiaries or authorized distributors.

- To the extent that Parker or its subsidiaries or authorized distributors provide component or system options based upon data or specifications provided by the user, the user is responsible for determining that such data and specifications are suitable and sufficient for all applications and reasonably foreseeable uses of the components or systems.

**Offer of Sale**

Please contact your Parker representation for a detailed "Offer of Sale".

# Parker Worldwide

## Europe, Middle East, Africa

**AE – United Arab Emirates,**  
Dubai

Tel: +971 4 8127100  
parker.me@parker.com

**AT – Austria,** Wiener Neustadt  
Tel: +43 (0)2622 23501-0  
parker.austria@parker.com

**AT – Eastern Europe,** Wiener  
Neustadt  
Tel: +43 (0)2622 23501 900  
parker.easteurope@parker.com

**AZ – Azerbaijan,** Baku  
Tel: +994 50 2233 458  
parker.azerbaijan@parker.com

**BE/LU – Belgium,** Nivelles  
Tel: +32 (0)67 280 900  
parker.belgium@parker.com

**BY – Belarus,** Minsk  
Tel: +375 17 209 9399  
parker.belarus@parker.com

**CH – Switzerland,** Etoy  
Tel: +41 (0)21 821 87 00  
parker.switzerland@parker.com

**CZ – Czech Republic,** Klecany  
Tel: +420 284 083 111  
parker.czechrepublic@parker.com

**DE – Germany,** Kaarst  
Tel: +49 (0)2131 4016 0  
parker.germany@parker.com

**DK – Denmark,** Ballerup  
Tel: +45 43 56 04 00  
parker.denmark@parker.com

**ES – Spain,** Madrid  
Tel: +34 902 330 001  
parker.spain@parker.com

**FI – Finland,** Vantaa  
Tel: +358 (0)20 753 2500  
parker.finland@parker.com

**FR – France,** Contamine s/Arve  
Tel: +33 (0)4 50 25 80 25  
parker.france@parker.com

**GR – Greece,** Athens  
Tel: +30 210 933 6450  
parker.greece@parker.com

**HU – Hungary,** Budapest  
Tel: +36 1 220 4155  
parker.hungary@parker.com

**IE – Ireland,** Dublin  
Tel: +353 (0)1 466 6370  
parker.ireland@parker.com

**IT – Italy,** Corsico (MI)  
Tel: +39 02 45 19 21  
parker.italy@parker.com

**KZ – Kazakhstan,** Almaty  
Tel: +7 7272 505 800  
parker.easteurope@parker.com

**NL – The Netherlands,** Oldenzaal  
Tel: +31 (0)541 585 000  
parker.nl@parker.com

**NO – Norway,** Asker  
Tel: +47 66 75 34 00  
parker.norway@parker.com

**PL – Poland,** Warsaw  
Tel: +48 (0)22 573 24 00  
parker.poland@parker.com

**PT – Portugal,** Leca da Palmeira  
Tel: +351 22 999 7360  
parker.portugal@parker.com

**RO – Romania,** Bucharest  
Tel: +40 21 252 1382  
parker.romania@parker.com

**RU – Russia,** Moscow  
Tel: +7 495 645-2156  
parker.russia@parker.com

**SE – Sweden,** Spånga  
Tel: +46 (0)8 59 79 50 00  
parker.sweden@parker.com

**SK – Slovakia,** Banská Bystrica  
Tel: +421 484 162 252  
parker.slovakia@parker.com

**SL – Slovenia,** Novo Mesto  
Tel: +386 7 337 6650  
parker.slovenia@parker.com

**TR – Turkey,** Istanbul  
Tel: +90 216 4997081  
parker.turkey@parker.com

**UA – Ukraine,** Kiev  
Tel: +380 44 494 2731  
parker.ukraine@parker.com

**UK – United Kingdom,** Warwick  
Tel: +44 (0)1926 317 878  
parker.uk@parker.com

**ZA – South Africa,** Kempton Park  
Tel: +27 (0)11 961 0700  
parker.southafrica@parker.com

## North America

**CA – Canada,** Milton, Ontario  
Tel: +1 905 693 3000

**US – USA,** Cleveland  
(industrial)  
Tel: +1 216 896 3000

**US – USA,** Elk Grove Village  
(mobile)  
Tel: +1 847 258 6200

## Asia Pacific

**AU – Australia,** Castle Hill  
Tel: +61 (0)2-9634 7777

**CN – China,** Shanghai  
Tel: +86 21 2899 5000

**HK – Hong Kong**  
Tel: +852 2428 8008

**IN – India,** Mumbai  
Tel: +91 22 6513 7081-85

**JP – Japan,** Fujisawa  
Tel: +81 (0)4 6635 3050

**KR – South Korea,** Seoul  
Tel: +82 2 559 0400

**MY – Malaysia,** Shah Alam  
Tel: +60 3 7849 0800

**NZ – New Zealand,** Mt Wellington  
Tel: +64 9 574 1744

**SG – Singapore**  
Tel: +65 6887 6300

**TH – Thailand,** Bangkok  
Tel: +662 717 8140

**TW – Taiwan,** Taipei  
Tel: +886 2 2298 8987

## South America

**AR – Argentina,** Buenos Aires  
Tel: +54 3327 44 4129

**BR – Brazil,** Cachoeirinha RS  
Tel: +55 51 3470 9144

**CL – Chile,** Santiago  
Tel: +56 2 623 1216

**MX – Mexico,** Apodaca  
Tel: +52 81 8156 6000

### EMEA Product Information Centre

Free phone: 00 800 27 27 5374

(from AT, BE, CH, CZ, DE, DK, EE, ES, FI, FR, IE, IL,  
IS, IT, LU, MT, NL, NO, PL, PT, RU, SE, SK, UK, ZA)

### US Product Information Centre

Toll-free number: 1-800-27 27 537

www.parker.com

