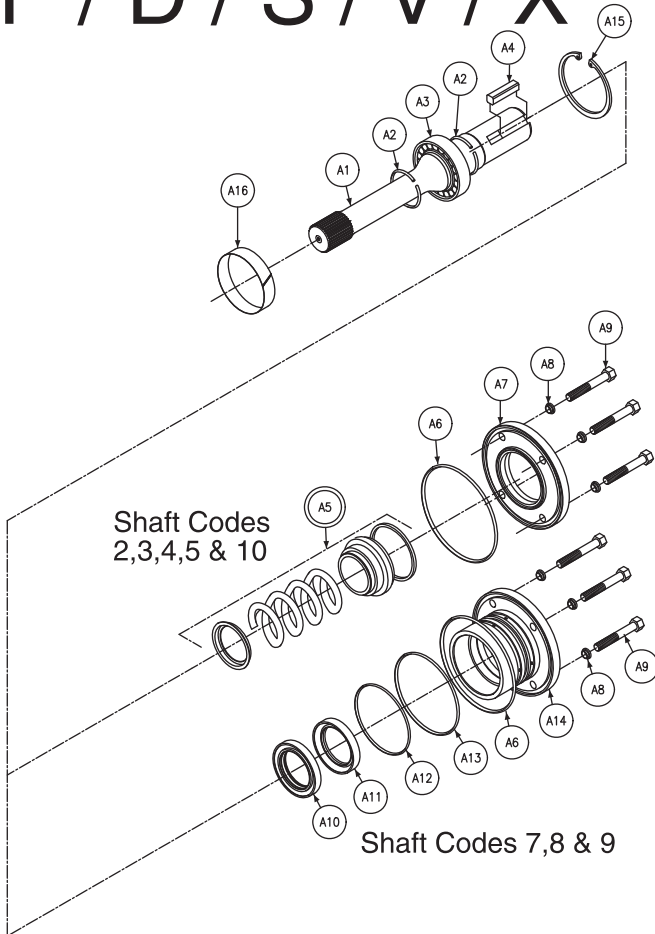
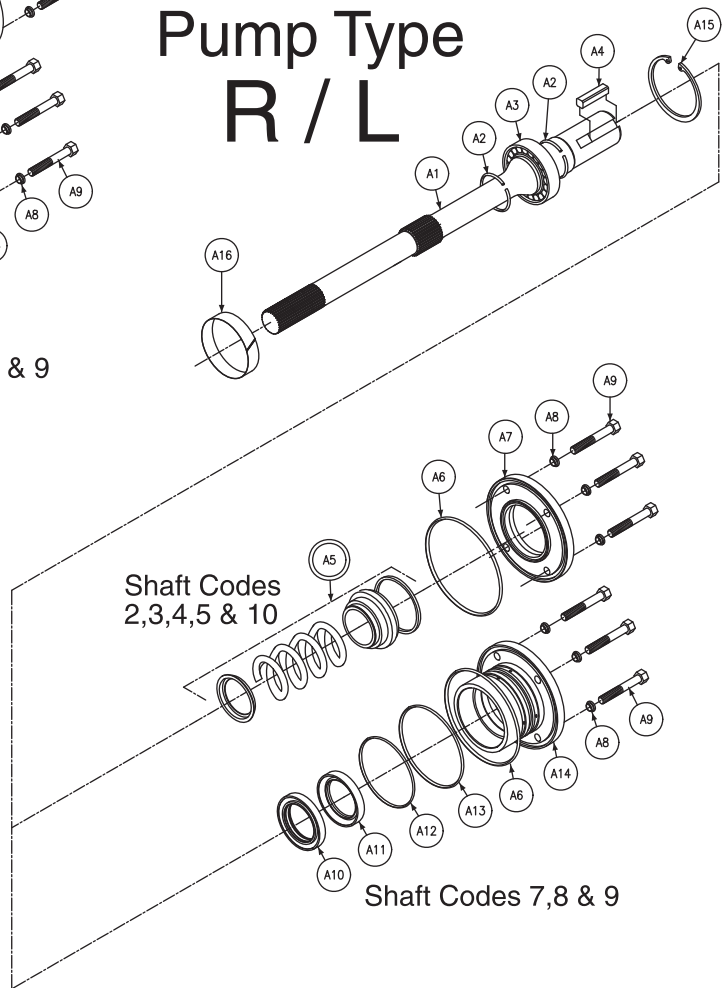


# Pump Type P / D / S / V / X



# Pump Type R / L



Section View - A - Input Shaft & Retainer Assembly

Section A						
P6/7/8 Input shaft and retainer						
Balloon #	Pump Type	Shaft Code	Seal Code	Item #	Description	Qty
A1	P6/7/8 P/D/N/X/S	2	**	033-70579-0	Shaft, Keyed	1
	P6/7/8 P/D/N/X/S	3	**	033-70567-0	Shaft, Splined	
	P6/7/8 P/D/N/X/S	4	**	033-92283-0	Shaft, Keyed	
	P6/7/8 P/D/N/X/S	5	**	033-92282-0	Shaft, Splined	
	P6/7/8 P/D/N/X/S	7	**	033-92959-0	Shaft, Keyed	
	P6/7/8 P/D/N/X/S	8	**	033-92943-0	Shaft, Splined	
	P6/7/8 P/D/N/X/S	9	**	033-93605-0	Shaft, Keyed	
	P6/7/8 P/D/N/X/S	10	**	033-93606-0	Shaft, Keyed	
	P6/7/8 R/L	2	**	033-57862-0	Shaft, Keyed	
	P6/7/8 R/L	3	**	033-57819-0	Shaft, Splined	
	P6/7/8 R/L	4	**	033-93453-0	Shaft, Keyed	
	P6/7/8 R/L	5	**	033-93418-0	Shaft, Splined	
	P6/7/8 R/L	7	**	033-93318-0	Shaft, Keyed	
	P6/7/8 R/L	8	**	033-94244-0	Shaft, Splined	
	P6/7/8 R/L	9	**	033-93611-0	Shaft, Keyed	
P6/7/8 R/L	10	**	033-93612-0	Shaft, Keyed		
A2	P6/7/8 P/D/N/X/S/R/L	2/3/7/8/9/10	**	033-70817-0	Retaining ring	2
	P6/7/8 P/D/N/X/S/R/L	4/5	**	033-70817-0	Retaining ring	1
A3	P6/7/8 P/D/N/X/S/R/L	2/3/7/8/9/10	**	230-82140-0	Shaft Bearing	1
	P6/7/8 P/D/N/X/S/R/L	4/5	**	230-00207-0	Shaft Bearing	1
A4	P6/7/8 P/D/N/X/S/R/L	2/7	**	033-71348-0	Key	1
	P6/7/8 P/D/N/X/S/R/L	4	**	031-29899-0		
	P6/7/8 P/D/N/X/S/R/L	9/10	**	033-93617-0		
A5	P6/7/8 P/D/N/X/S/R/L	2/3/10	1	623-00006-0	Shaft Seal	1
	P6/7/8 P/D/N/X/S/R/L	2/3/10	4	623-00006-4		
	P6/7/8 P/D/N/X/S/R/L	2/3/10	5	623-00006-5		
	P6/7/8 P/D/N/X/S/R/L	4/5	1	623-00016-0		
	P6/7/8 P/D/N/X/S/R/L	4/5	4	623-00016-4		
	P6/7/8 P/D/N/X/S/R/L	4/5	5	623-00016-5		
A6	P6/7/8 P/D/N/X/S/R/L	2/3/7/8/9/10	1	671-00043-0	Gasket O-ring	1
	P6/7/8 P/D/N/X/S/R/L	2/3/7/8/9/10	4	674-00043-0		
	P6/7/8 P/D/N/X/S/R/L	2/3/7/8/9/10	5	675-00043-0		
	P6/7/8 P/D/N/X/S/R/L	4/5	1	671-00249-0		
	P6/7/8 P/D/N/X/S/R/L	4/5	4	674-00249-0		
	P6/7/8 P/D/N/X/S/R/L	4/5	5	675-00249-0		
A7	P6/7/8 P/D/N/X/S/R/L	2/3/10	**	033-57892-0	Seal Retainer	1
	P6/7/8 P/D/N/X/S/R/L	4/5	**	033-92286-0		
A8	P6/7/8 P/D/N/X/S/R/L	2/3/7/8/9/10	**	631-45003-0	Nyltite Gasket	4
	P6/7/8 P/D/N/X/S/R/L	4/5	**	631-45007-0		
A9	P6/7/8 P/D/N/X/S/R/L	2/3/7/8/9/10	**	306-40144-0	Hex Hd Cap Screw	4
	P6/7/8 P/D/N/X/S/R/L	4/5	**	306-40016-0		
A10	P6/7/8 P/D/N/X/S/R/L	7/8/9	1	620-82066-0	Inner Seal	1
	P6/7/8 P/D/N/X/S/R/L	7/8/9	4	not available		
	P6/7/8 P/D/N/X/S/R/L	7/8/9	5	not available		
A11	P6/7/8 P/D/N/X/S/R/L	7/8/9	1	620-82114-0	Outer Seal	1
	P6/7/8 P/D/N/X/S/R/L	7/8/9	4	not available		
	P6/7/8 P/D/N/X/S/R/L	7/8/9	5	not available		
A12	P6/7/8 P/D/N/X/S/R/L	7/8/9	1	671-00036-0	Gasket O-ring	1
	P6/7/8 P/D/N/X/S/R/L	7/8/9	4	674-00036-0		
	P6/7/8 P/D/N/X/S/R/L	7/8/9	5	675-00036-0		
A13	P6/7/8 P/D/N/X/S/R/L	7/8/9	1	671-00037-0	Gasket O-ring	1
	P6/7/8 P/D/N/X/S/R/L	7/8/9	4	674-00037-0		
	P6/7/8 P/D/N/X/S/R/L	7/8/9	5	675-00037-0		
A14	P6/7/8 P/D/N/X/S/R/L	7/8/9	**	033-92465-0	Seal Retainer	1
A15	P6/7/8 P/D/N/X/S/R/L	2/3/7/8/9/10	**	033-53901-0	Retaining Ring	select fit 1 only
	P6/7/8 P/D/N/X/S/R/L	2/3/7/8/9/10	**	033-53902-0		
	P6/7/8 P/D/N/X/S/R/L	2/3/7/8/9/10	**	033-53903-0		
		P6/7/8 P/D/N/X/S/R/L	4/5	**	356-65139-0	Retaining Ring
A16	P6/7/8 P/D/N/X/S	2/3/10	**	033-53948-0	Shim, .008"	select fit 1 only
	P6/7/8 P/D/N/X/S	2/3/10	**	033-53949-0	Shim, .007"	

