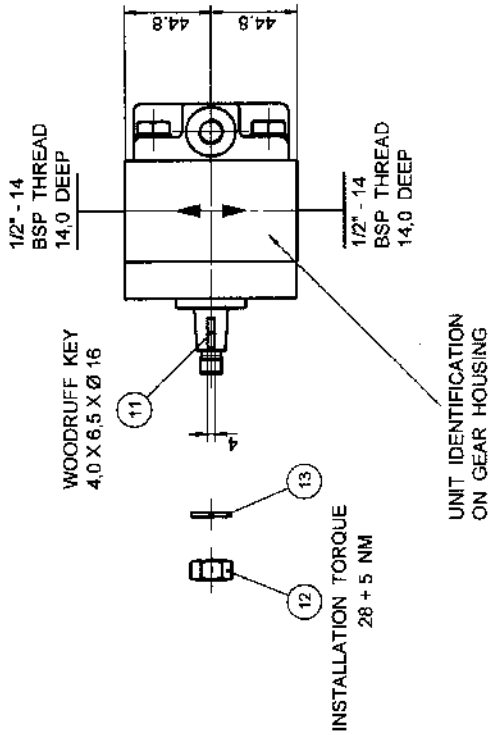
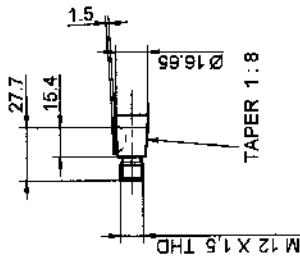
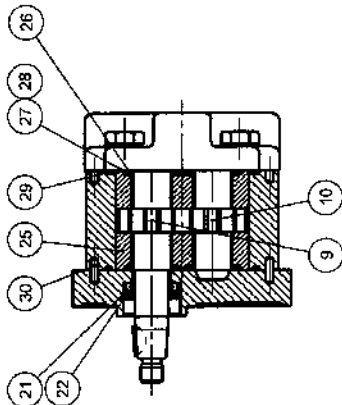
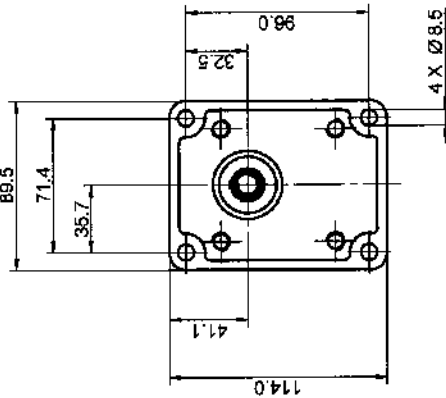
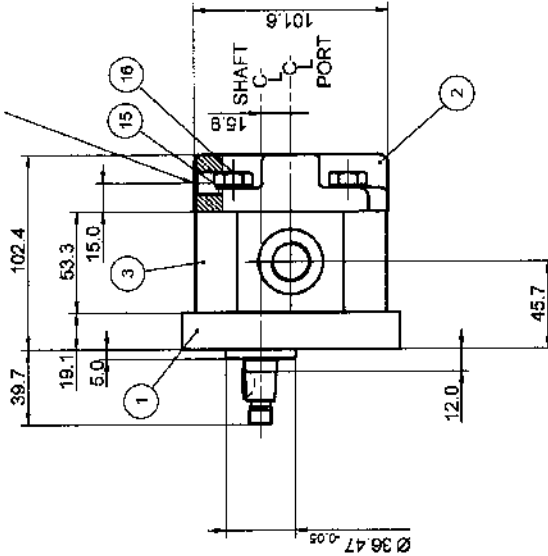


MOTOR DATA	
DISPLACEMENT	8.0 ccm
MAX. CONT. PRESSURE	250 bar
SPEED RATE	500 TO 3500 min ⁻¹
MAX SHAFT SEAL PRESSURE	5 bar
ROTATION	BI - DIRECTIONAL



1/4" - 19 BSP THD.
12.0 DEEP



NOTE

FOR ASSEMBLY INSTRUCTIONS SEE DWG. NO. "511-B2"
"PGM511 MOTOR ASSEMBLY INSTRUCTIONS"

ITEM	PART NO	REQD	ITEM	PART NO	REQD
28	8301-016-088	4	SEAL CHAN.	36	
27	8301-016-048	4	SEAL CHAN.	35	
26	8301-016-006	2	SEAL BK-UP	34	
25	8301-207-00L	4	THRBLKBSHG	33	
24				32	
23				31	
22	9211-323-00B	1	RING, SNAP	30	391 2080 076 2
21	8339-019-00S	1	SEAL LIP	29	9313-145-00B 2

ITEM	PART NO	REQD	DESCRIPTION
20			
19			
18			
17			
16	391 1401 855	4	SCREW (83 MM)
15	391 3782 231	4	WASHER
14			
13	391 3782 259	1	WASHER
12	391 1451 160	1	NUT
11	391 1781 079	1	KEY
10	334 2708 000	1	DRIVEN GEAR
9	334 1808 603	1	DRIVE GEAR
8			
7			
6			
5			
4	334 8108 404	1	HOUSING, GEAR
3	332 3020 096	1	HOUSING, PEC
2	334 5041 202	1	HOUSING, SEC

THIS DOCUMENT CONTAINS INFORMATION THAT IS CONFIDENTIAL AND PROPRIETARY TO PARKER HANFMIN CORPORATION. IF YOU ARE A CUSTOMER OF PARKER HANFMIN CORPORATION, THIS DOCUMENT IS YOURS TO USE ONLY FOR THE PURPOSES FOR WHICH IT WAS ISSUED. IT IS NOT TO BE REPRODUCED, COPIED, OR TRANSMITTED IN ANY FORM OR BY ANY MEANS, ELECTRONIC OR MECHANICAL, INCLUDING PHOTOCOPYING, RECORDING, OR BY ANY INFORMATION STORAGE AND RETRIEVAL SYSTEM, WITHOUT THE WRITTEN PERMISSION OF PARKER HANFMIN CORPORATION.

Parker
Hydraulic Controls Division
Sachsenhydraulik GmbH
Chemnitz

DATE: 07MAR03
CRBY: UH
SCALE: 1/2

REV: 000000

WT: 3.6 Kg

DIMENSIONS ARE: MM

EXP. NO. 03 - 03 - 908

334 9219 191

© 2003 Parker-Hannifin Corporation