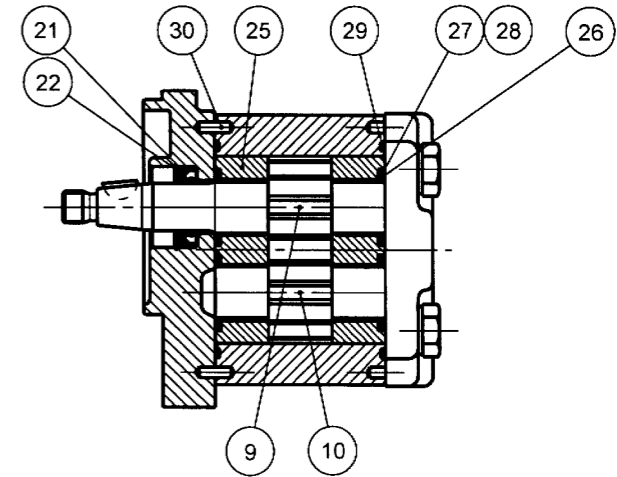
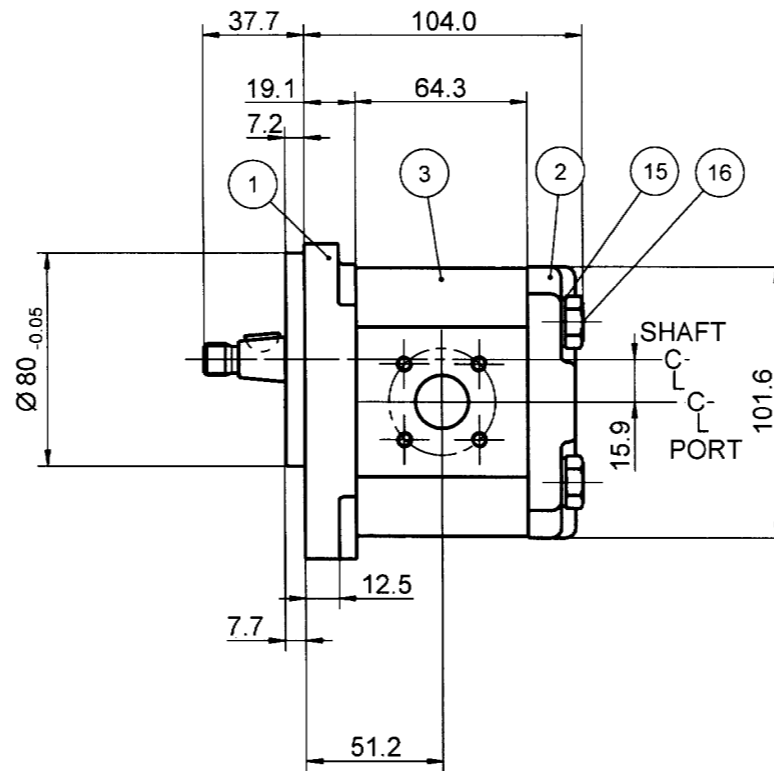
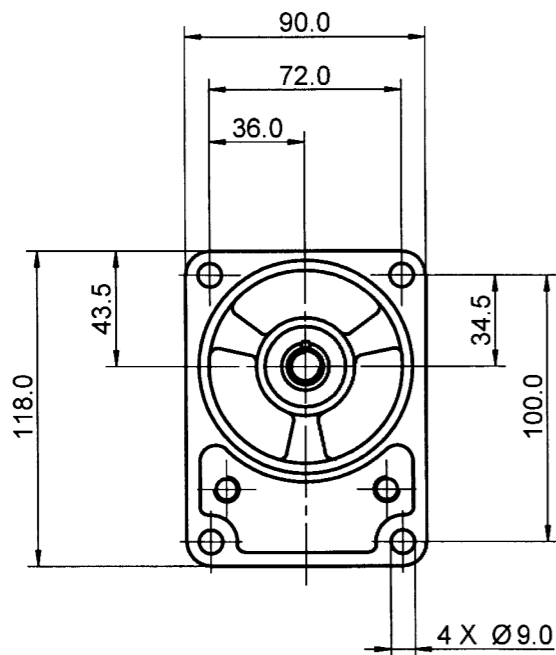
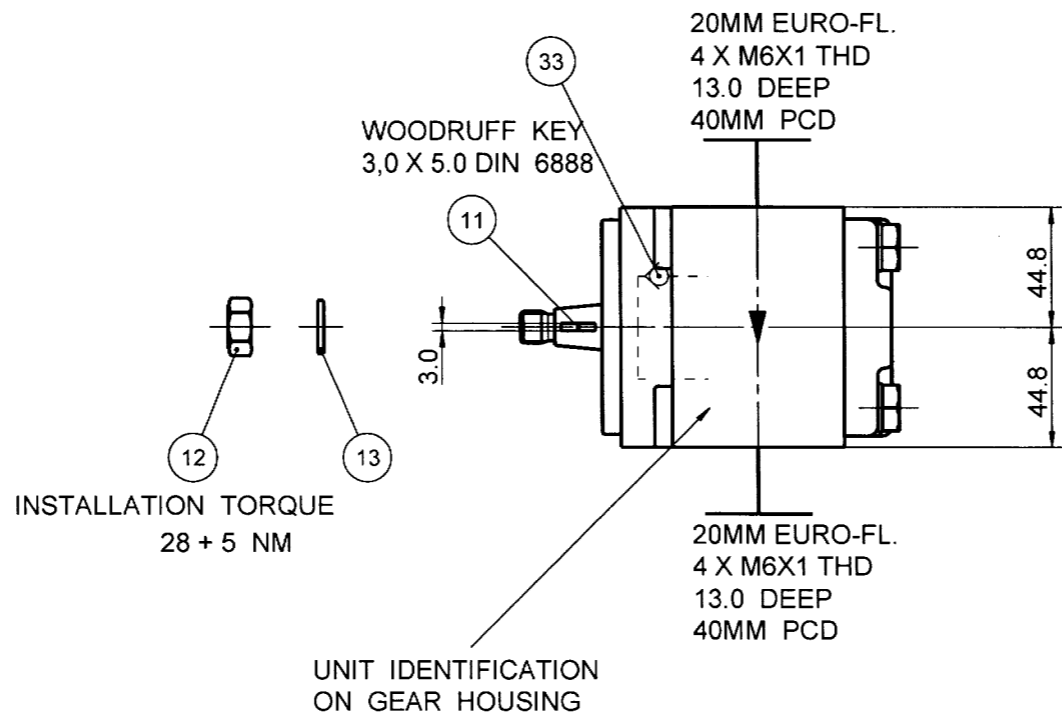
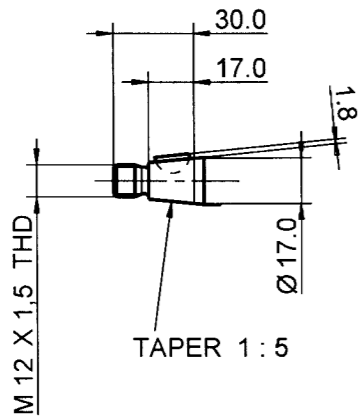


MOTOR DATA	
DISPLACEMENT	15,0 ccm
MAX.CONT.PRESSURE	250 bar
SPEED RATE 500 TO	3500 min ⁻¹
MAX SHAFT SEAL PRESSURE	5 bar
ROTATION	CLOCKWISE



NOTE

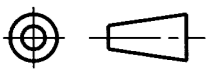
1 FOR ASSEMBLY INSTRUCTIONS SEE DWG. NO. "511-B2" "PGM511 MOTOR ASSEMBLY INSTRUCTIONS".

A1

ITEM	PART NO	REQD	DESCRIPTION	ITEM	PART NO	REQD	DESCRIPTION
28	8301-016-0B9	4	SEAL. CHAN.	36			
27	8301-016-0AB	4	SEAL. CHAN.	35			
26	8301-015-006	2	SEAL. BK-UP	34			
25	391 2185 133	2	THRBLK/BSHG	33	8301-061-00S	1	CHECK VALVE
24				32			
23				31			
22	9211-323-00B	1	RING, SNAP	30	391 2080 078	2	PIN. DOWEL
21	8339-019-00S	1	SEAL. LIP	29	9313-145-00B	2	SEAL. SECT.

20							
19							
18							
17							
16	391 1401 857	4	SCREW (93 MM)				
15	391 3782 231	4	WASHER				
14							
13	391 3782 259	1	WASHER				
12	391 1451 160	1	NUT				
11	391 1781 099	1	KEY				
10	334 2715 000	1	DRIVEN GEAR				
9	334 1815 600	1	DRIVE GEAR				
8							
7							
6							
5							
4							
3	334 8515 920	1	HOUSING. GEAR				
2	332 3000 100	1	HOUSING. PEC				
1	334 5041 212	1	HOUSING. SEC				
ITEM	PART NO	REQ'D	DESCRIPTION				

THIRD ANGLE PROJECTION



EXP NO.

FIRST USED

02-05-960/03-11-949

334 9211 058

A1 391 2185 133 WAS 8301-207-00L

SYM. REVISIONS 10NOV03 PG

THIS DOCUMENT CONTAINS INFORMATION THAT IS CONFIDENTIAL AND PROPRIETARY TO PARKER HANNIFIN CORPORATION ("PARKER"). THIS DOCUMENT IS FURNISHED ON THE UNDERSTANDING THAT THE DOCUMENT AND INFORMATION WILL BE NOT COPIED OR DISCLOSED TO OTHERS OR USED FOR ANY PURPOSE OTHER THAN CONDUCTING BUSINESS WITH PARKER, AND WILL BE RETURNED AND ALL FURTHER USE DISCONTINUED UPON REQUEST BY PARKER. ALL RIGHTS RESERVED.

PGM511C0150CS1D4NJ7J7B1B1B1

MATERIAL

H.E.-STD:

ADM CTR M

REV DTE 10NOV03

WT 3.8 Kg

DIMENSIONS ARE MM

Parker Hydraulic Controls Division
Sachsenhydraulik GmbH
Chemnitz

DR.BY DATE CH.BY DATE SCALE
JS 24MAY02 WS 24MAY02 1/2

334 9211 058

© 2003 Parker-Hannifin Corporation