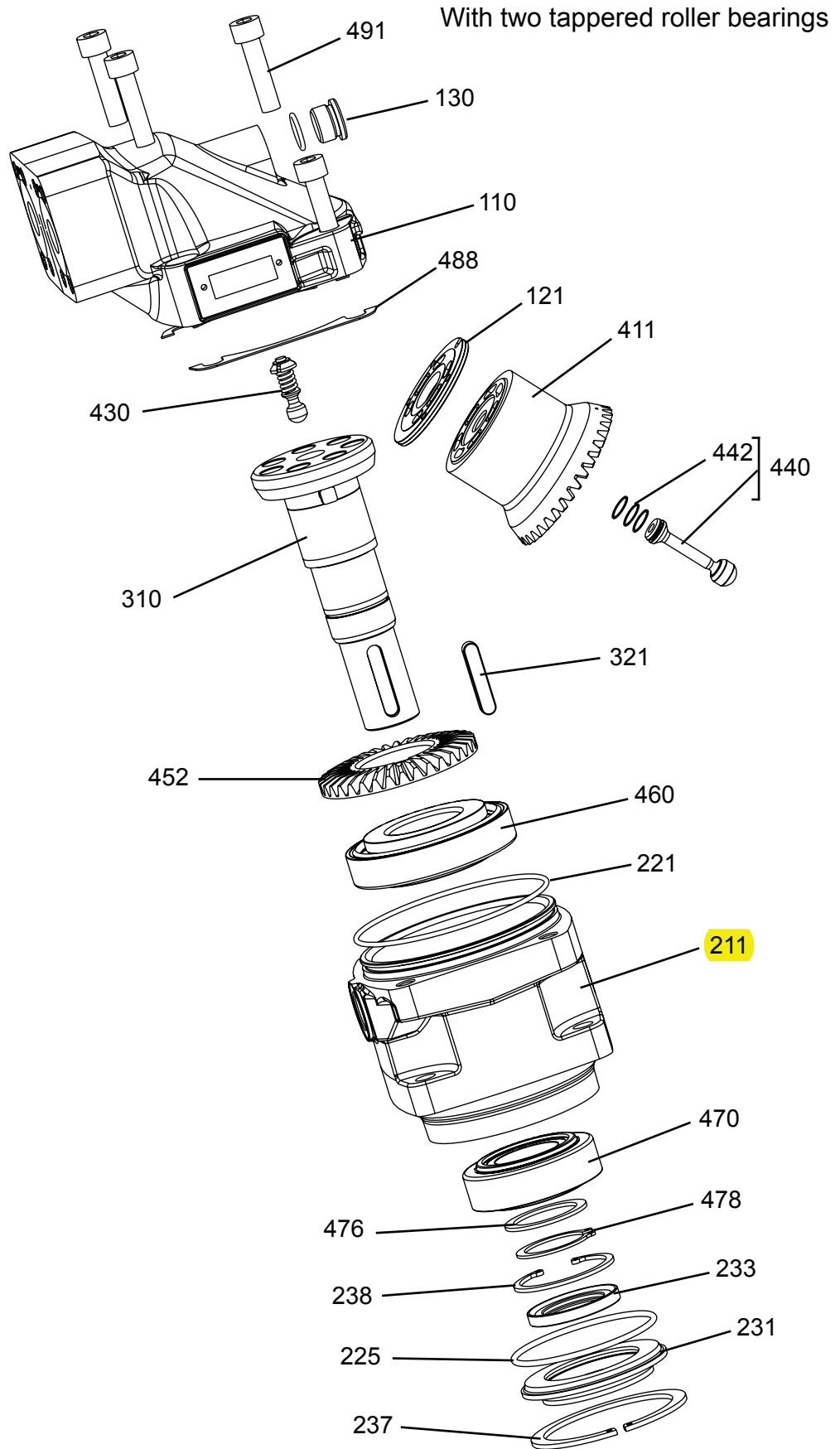


Split View
Series F12



F12-030 all types from serial no. 1998020001 and up.
With two tapered roller bearings.

| Item | Part No | Title | Benämning | Qty | Remarks |
|------|---------|----------------------|------------------|-----|--|
| 110 | 3798186 | Barrel Housing Assy | Trumhus kpl | 1 | Type F |
| 110 | 3798187 | Barrel Housing Assy | Trumhus kpl | 1 | Type S |
| 110 | 3780145 | Barrel Housing Assy | Trumhus kpl | 1 | Type U |
| 121 | 3792037 | Valve Plate | Ventilskiva | 1 | Type L |
| 121 | 3791911 | Valve Plate | Ventilskiva | 1 | Type M |
| 121 | 3784619 | Valve Plate | Ventilskiva | 1 | Type S |
| 121 | 3791912 | Valve Plate | Ventilskiva | 1 | Type R |
| 130 | 3707298 | Hex Socket Plug Assy | Insexpropp kpl | 1 | For S- Housing |
| 130 | 3793607 | Hex Socket Plug Assy | Insexpropp kpl | 1 | For F-Housing |
| 211 | 3788316 | Bearing Housing | Lagerhus | 1 | Type I "See SI 97/01" Repl 3799651 |
| 211 | 3788317 | Bearing Housing | Lagerhus | 1 | Type I "Speed sensor" Repl 3799959 |
| 211 | 3788326 | Bearing Housing | Lagerhus | 1 | Type C "Speed sensor" Repl 3780325 |
| 211 | 3788323 | Bearing Housing | Lagerhus | 1 | Type S "Speed sensor" Repl 3780131 |
| 211 | 3788322 | Bearing Housing | Lagerhus | 1 | Type S "See SI 97/01" Repl 3799649 |
| 211 | 3788319 | Bearing Housing | Lagerhus | 1 | Type T "See SI 97/01" Repl 3799621 |
| 211 | 3788320 | Bearing Housing | Lagerhus | 1 | Type T "Speed sensor" Repl 3799125 |
| 221 | 3792811 | O-Ring | O-Ring | 1 | Nitril 103*2,5 |
| 221 | 976638 | O-Ring | O-Ring | 1 | Viton 103*2,5 |
| 225 | 925094 | O-Ring | O-Ring | 1 | Nitril 74,5*3 |
| 225 | 974584 | O-Ring | O-Ring | 1 | Viton 74,5*3 |
| 229 | 3792912 | O-Ring | O-Ring | 1 | Nitril 127*4 |
| 229 | 976640 | O-Ring | O-Ring | 1 | Viton 127*4 |
| 231 | 3797194 | Seal Carrier | Tättringshållare | 1 | |
| 233 | 3786839 | Shaft Seal | Tättningsring | 1 | Type V Repl. 3791734, 3793418, 3706183 |
| 233 | 3797195 | Shaft Seal | Tättningsring | 1 | Type N, |
| 237 | 914540 | Retaining Ring | Spärring | 1 | |
| 238 | 914529 | Retaining Ring | Spärring | 1 | |
| 256 | 3793171 | Bleeder Plug | Luftningspropp | 1 | For C-Housing, M14 |
| 257 | 945653 | Seal Washer | Tätbricka | 1 | For C-Housing |
| 310 | 3799648 | Shaft | Axel | 1 | Repl. 3799636 Type C "See SI 97/01" |
| 310 | 3799638 | Shaft | Axel | 1 | Type D "See SI 97/01" |
| 310 | 3799632 | Shaft | Axel | 1 | Type K "See SI 97/01" |
| 310 | 3799644 | Shaft | Axel | 1 | Type P Max 350 Bar |
| 310 | 3799634 | Shaft | Axel | 1 | Type S "See SI 97/01" |
| 310 | 3799640 | Shaft | Axel | 1 | Type T "See SI 97/01" |
| 310 | 3799646 | Shaft | Axel | 1 | Type Z "See SI 97/01" |
| 321 | 909306 | Flat Key | Plattkil | 1 | For K |
| 321 | 118225 | Flat Key | Plattkil | 1 | For T |
| 411 | 3798157 | Cylinder Barrel | Cylindertrumma | 1 | |
| 411 | 3782447 | Cylinder Barrel | Cylindertrumma | 1 | Pump version |
| 430 | 3709838 | Barrel Support | Trumstöd | 1 | |
| 440 | 3791925 | Piston Assy | Kolv kpl | 7 | |
| 442 | 3791596 | Piston Ring | Lamellring | 21 | Not available See SI 08/02 |
| 452 | 3791927 | Ring Gear | Kuggkrans | 1 | |
| 460 | 3797156 | Tap Rol Bearing | Kon rullager | 1 | 31308 |
| 470 | 3796929 | Tap Rol Bearing | Kon rullager | 1 | 32207 |