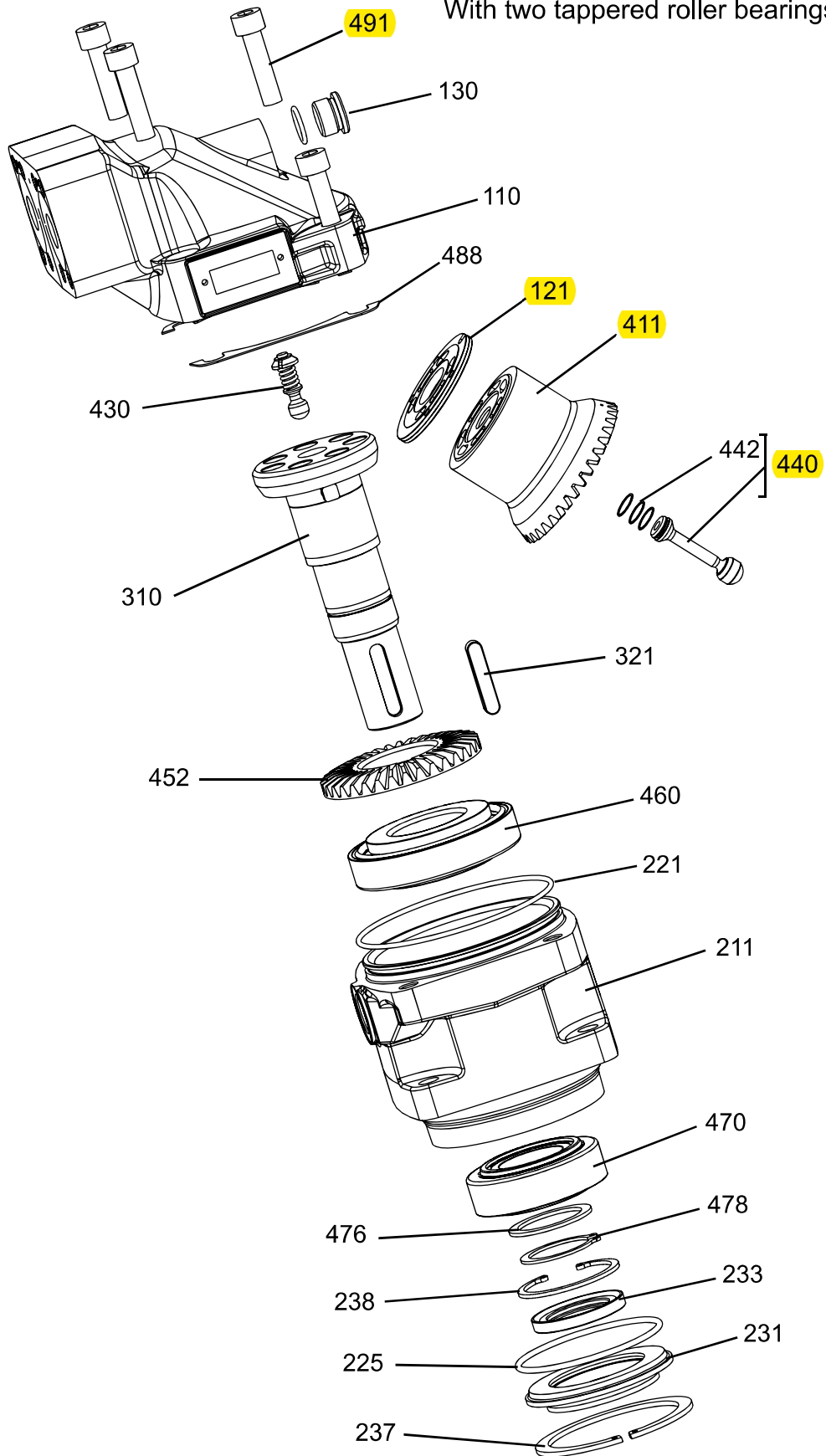


Split View
Series F12

With two tapered roller bearings



F12-060 all types from serial no. 1998020001 and up.

| Item | Part No | Title | Qty | Remarks |
|------|---------|------------------------------------|-----|-------------------------------------|
| 110 | 3798562 | Barrel Housing Assy | 1 | Type F |
| 110 | 3798563 | Barrel Housing Assy | 1 | Type S |
| 110 | 3781312 | Barrel Housing Assy | 1 | Type U |
| 121 | 3791799 | Valve Plate type M | 1 | Standard motor |
| 121 | 3709858 | Valve Plate type R | 1 | CW |
| 121 | 3709859 | Valve Plate type L | 1 | CCW |
| 130 | 3708150 | Hex socket Plug Assy for S housing | 1 | |
| 130 | 3793563 | Hex socket Plug Assy for F housing | 1 | |
| 130 | 3708150 | Hex Socket plug Assy for U housing | 1 | |
| 211 | 3799675 | Bearing Housing | 1 | Type C |
| 211 | 3780331 | Bearing Housing | 1 | Type C "Speed sensor" |
| 211 | 3799676 | Bearing Housing | 1 | Type I |
| 211 | 3780127 | Bearing Housing | 1 | Type I "Speed sensor" |
| 211 | 3780124 | Bearing Housing | 1 | Type S "Speed sensor" |
| 211 | 3799677 | Bearing Housing | 1 | Type S |
| 211 | 3799623 | Bearing Housing | 1 | Type T |
| 211 | 3799129 | Bearing Housing | 1 | Type T "Speed sensor" |
| 221 | | O-Ring | 1 | Only available in seal kit |
| 225 | | O-Ring | 1 | Only available in seal kit |
| 229 | | O-Ring | 1 | Only available in seal kit |
| 231 | 3796201 | Seal Carrier | 1 | |
| 233 | | Shaft Seal | 1 | Only available in seal kit |
| 237 | | Retaining Ring | 1 | Only available in seal kit |
| 238 | | Retaining Ring | 1 | Only available in seal kit |
| 310 | 3799686 | Shaft assy type C | 1 | |
| 310 | 3799688 | Shaft assy type D | 1 | |
| 310 | 3799682 | Shaft assy type K | 1 | Require flat key |
| 310 | 3799684 | Shaft assy type S | 1 | |
| 310 | 3799690 | Shaft assy type T | 1 | Require flat key |
| 321 | 909323 | Flat Key for K shaft | 1 | |
| 321 | 118226 | Flat Key for T shaft | 1 | |
| 411 | 3797719 | Cylinder Barrel | 1 | |
| 411 | 3781278 | Cylinder Barrel | 1 | Pump version |
| 430 | 3709840 | Barrel Support | 1 | |
| 440 | 3709470 | Piston Assy | 7 | |
| 442 | | Piston Ring | 21 | Only available in kit |
| 452 | 3799822 | Ring Gear | 1 | |
| 460 | 184660 | Tap Rol Bearing | 1 | |
| 470 | 118770 | Tap Rol Bearing | 1 | |
| 476 | | Spacer Washer | 1 | Only available in kit |
| 478 | | Retaining Ring | 1 | Only available in spacer washer kit |
| 488 | | Shim | 2 | Only available in kit |
| 491 | | Hex Socket Screw M10*45 10.9 | 4 | Only available in spare part kit |

Kits

| Part no | Title | Info | Contain pos |
|---------|-------------------------|----------------|------------------------------|
| 3793497 | Sealing kit type V | FPM | 221, 225, 229, 233, 237, 238 |
| 3785135 | Sealing kit type N | NBR | 221, 225, 229, 233, 237, 238 |
| 3787799 | Spare part kit | Motor | 121, 411, 440, 491 |
| 3786910 | Piston ring kit, 60 pcs | Ø 17,0 mm | 442 |
| 3721324 | Spacer washer kit | 2,40 - 2,75 mm | 476, 478 |
| 3721332 | Shims kit | 0,4-0,8 mm | 488 |