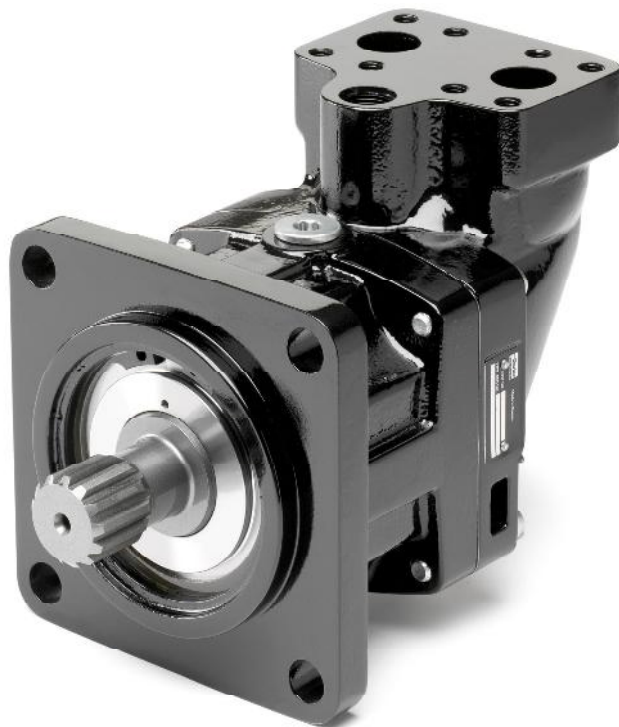


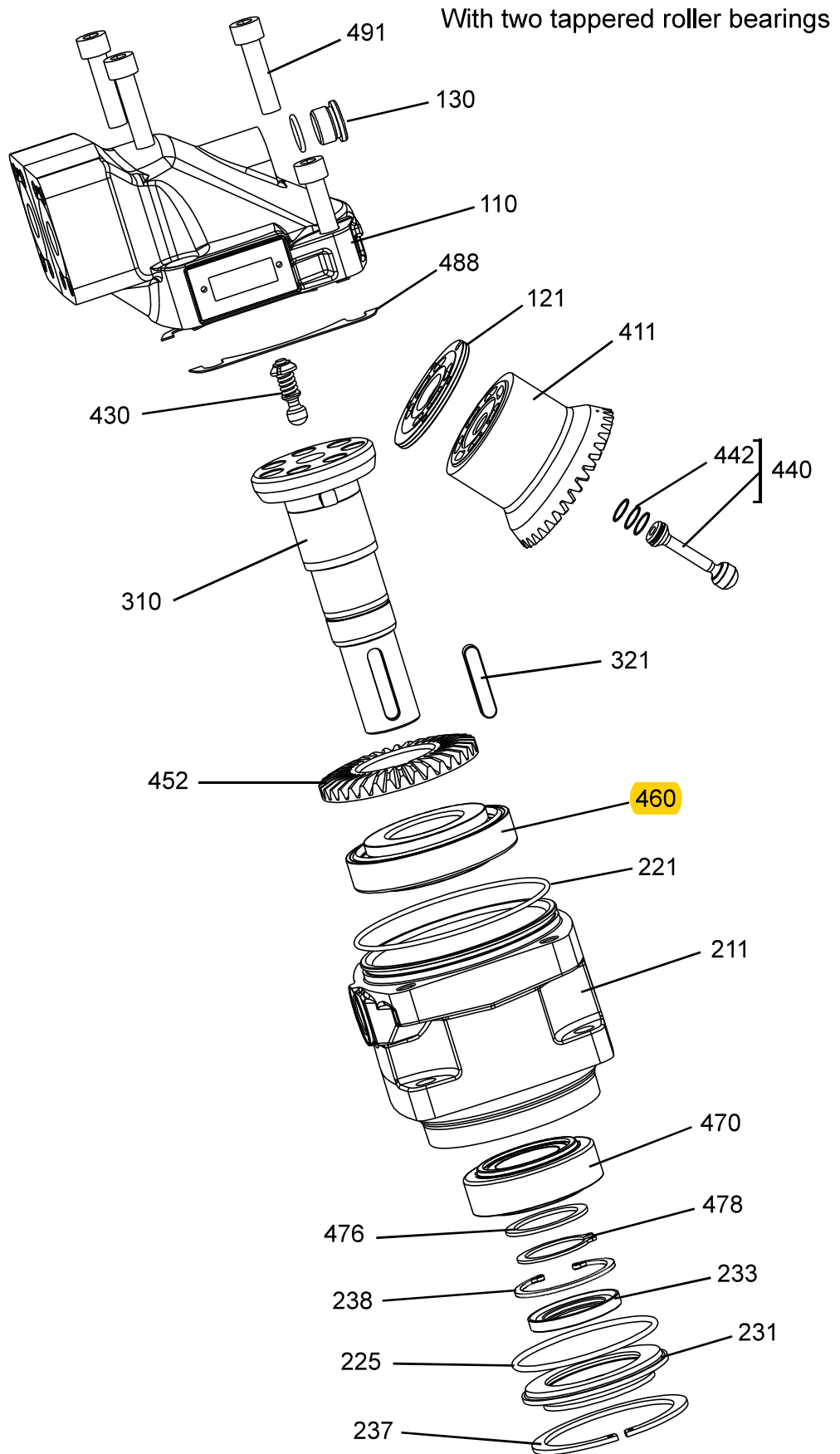


Bulletin HY30-5513-M1/UK/SE

Spare Parts Series F12

Effective: April, 2018
Supersedes: March, 2018





SP158

F12-110 from serial no. 200402010001, see SI 04/01.

Pos	Part No	Title	Qty	Remarks
110	3794372	Barrel Housing Assy	1	Type S
110	3709914	Barrel Housing Assy	1	Type F
110	3782332	Barrel Housing Assy	1	Type U
121	3794369	Valve Plate type M	1	Standard Motor
121	3791576	Valve Plate type R	1	Pump CW
121	3791577	Valve Plate type L	1	Pump CCW
130	3707299	Hex Socket Plug Assy	1	For S-Housing
130	3793563	Hex Socket Plug Assy	1	For F-Housing
211	3781439	Bearing Housing	1	Type S
211	3781448	Bearing Housing	1	Type S "Speed sensor"
211	3781438	Bearing Housing	1	Type I
211	3781447	Bearing Housing	1	Type I "Speed sensor"
211	3781449	Bearing Housing	1	Type C "Speed sensor"
221		O-ring	1	Only available in seal kit
225	3796541	O-ring	1	Only available in seal kit
229	976643	O-ring	1	Only available in seal kit
231	3796182	Seal Carrier	1	
233	117854	Shaft Seal	1	Only available in seal kit
237	914552	Retaining Ring	1	Only available in seal kit
238	914540	Retaining Ring	1	Only available in seal kit
310	3783320	Shaft type S	1	
310	3783323	Shaft type C	1	
310	3783322	Shaft type D	1	
310	3783321	Shaft type K	1	Require flat key
310	3783324	Shaft type T	1	Require flat key
321	909358	Flat Key for K shaft	1	
321	118227	Flat Key for T shaft	1	
411	3720015	Cylinder Barrel Assy	1	
411	3720016	Cylinder Barrel Assy	1	Pump version
430	3709930	Barrel Support	1	
440	3706407	Piston Assy	7	
442		Piston Ring	21	Only available in kit
452	3783319	Ring gear	1	
460	184662	Tap Rol Bearing	1	
470	11075	Tap Rol Bearing	1	
476		Spacer Washer	1	Only available in kit
478		Retaining Ring	1	Only available in spacer washer kit
488		Shim	2	Only available in kit
491		Hex Socket Screw M12*50 10.9	4	Only available in spare part kit

Kits

Part no	Title	Info	Contain pos
3798092	Sealing kit type V	FPM	221, 225, 229, 233, 237, 238
3785137	Sealing kit type N	NBR	221, 225, 229, 233, 237, 238
3787802	Spare part kit	Motor	121, 411, 440, 491
3786916	Piston ring kit, 60 pcs	Ø 21,6 mm	442
3721329	Spacer washer kit	2,50 - 2,75 mm	476, 478
3721334	Shims kit	0,4-0,8 mm	488

F12-125 all types

Pos	Part No	Title	Qty	Remarks
110	3709914	Barrel Housing Assy	1	Type F
110	3794372	Barrel Housing Assy	1	Type S
110	3782332	Barrel Housing Assy	1	Type U
121	3785336	Valve Plate type M	1	Standard Motor
121	3785644	Valve Plate type R	1	Pump CW
121	3785645	Valve Plate type L	1	Pump CCW
130	3793563	Hex Socket Plug for F housing	1	
130	3707299	Hex Socket Plug for S housing	1	
211	3781443	Bearing Housing	1	Type C
211	3781449	Bearing Housing	1	Type C "Speed sensor"
211	3781438	Bearing Housing	1	Type I
211	3781447	Bearing Housing	1	Type I "Speed sensor"
211	3781439	Bearing Housing	1	Type S
211	3781448	Bearing Housing	1	Type S "Speed sensor"
221		O-ring	1	Only available in seal kit
225		O-Ring	1	Only available in seal kit
231	3796182	Seal Carrier	1	
233		Shaft Seal	1	Only available in seal kit
237		Retaining Ring	1	Only available in seal kit
238		Retaining Ring	1	Only available in seal kit
310	3783321	Shaft type K	1	Require flat key
310	3783322	Shaft type D	1	
310	3783320	Shaft type S	1	
310	3783324	Shaft type T	1	Require flat key
321	909358	Flat Key for K shaft	1	
321	118227	Flat Key for T shaft	1	
411	3720017	Cylinder Barrel	1	
411	3720018	Cylinder Barrel	1	Pump version
430	3709930	Barrel Support	1	
440	3785502	Piston Assy	7	
442		Piston Ring	21	Only available in kit
452	3783319	Ring gear	1	
460	184662	Tap Rol Bearing	1	
470	11075	Tap Rol Bearing	1	
476		Spacer Washer	1	Only available in kit
478		Retaining Ring	1	Only available in spacer washer kit
488		Shim	2	Only available in kit
491		Hex Socket Screw M12*50 10.9	4	Only available in spare part kit

Kits

Part no	Title	Info	Contain pos
3798092	Sealing kit type V	FPM	221, 225, 229, 233, 237, 238
3785137	Sealing kit type N	NBR	221, 225, 229, 233, 237, 238
3787803	Spare part kit	Motor	121, 411, 440, 491
3786920	Piston ring kit, 60 pcs	Ø 23,0 mm	442
3721329	Spacer washer kit	2,50 - 2,75 mm	476, 478
3721334	Shims kit	0,4-0,8 mm	488