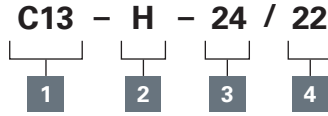


## C13-DM-24/22

Model code



### 1 Coil Series

**C13** - 13 mm tube

**C16** - 16 mm tube

### 2 Connection

**H** - DIN43650 ISO Standard

**F** - Flying Leads  
(12 and 24 VDC only)

**DM** - Deutsch Moulded  
(12 and 24 VDC only)  
(Consult factory for other options)

### 3 Voltage

**12** 12 VDC

**24** 24 VDC

**110** 110 VRAC

**220** 220 VRAC\*

\*220 to 240 VAC

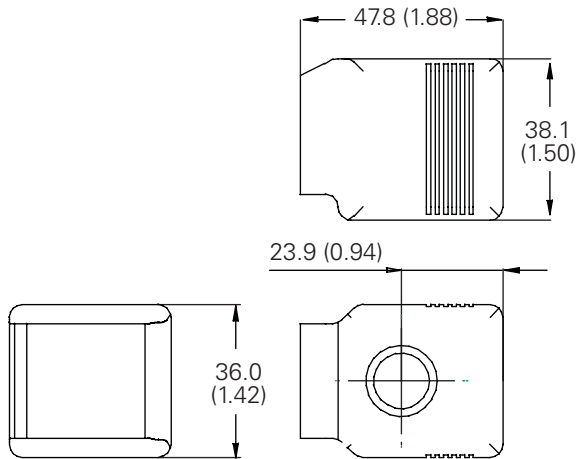
All AC coils must be used with a rectifying connector:  
(AXP9997- 115 or AXP9997-230)  
(Other voltages available on request)

### 4 Wattage

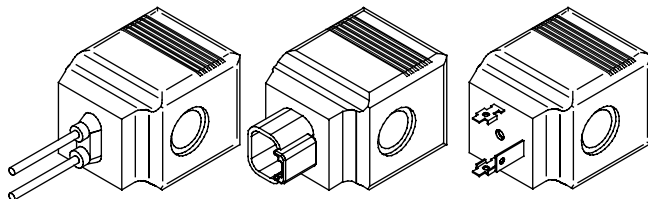
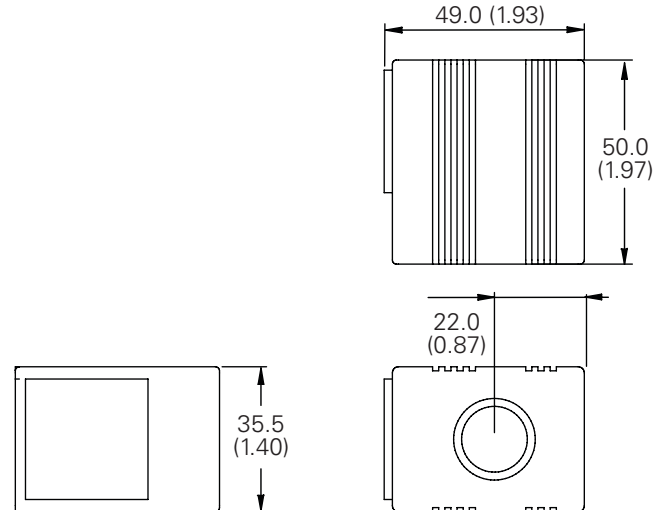
<b>C13</b>	<b>C16</b>
<b>14</b> = 14 Watt	<b>19</b> = 19 Watt
<b>22</b> = 22 Watt	<b>29</b> = 29 Watt
<b>27</b> = 27 Watt	

We reserve the right to change specifications without notice

### C13 Coils



### C16 Coils



Where measurements are critical request certified drawings. We reserve the right to change specifications without notice.

# EPV Series proportional valve coils

## EPV coils

C

### Control and specifications

Rheostat	12 VDC operation 10-12 V, 20-25 watts 24 VDC operation 25-30 V, 20-25 watts
Power plug options	EHH-AMP-702, EPAD-SA-1A6-10 (Require 24 VDC power supply to power plug and 12 VDC coil)
Amplifier card	EEA-PAM-523 (Requires 24 VDC power supply and either 12VDC or 24 VDC coil)
Joystick suppliers	OEM Controls, Inc, Shelton, CT P-Q Controls, Inc, Bristol, CT

Std. voltages	Amperes*	Lead color	Power rating
12 DC	1.32	red	16 W
24 DC	.66	black	16 W

\*Nominal voltage @ 25°C (77°F).

### Coil part numbers

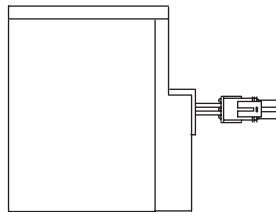
Voltage	F Connector	Q Connector	U* Connector	W Connector	Y Connector
12VDC	02-308810	02-317154	02-154070	02-154072	02-308808
24VDC	02-308811	02-317155	02-154071	02-154073	02-308809

\*DIN 43650 mating connector for "U" style coil – 02-166796.

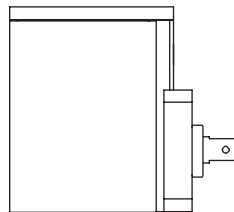
### Coil configurations

**⚠ Caution**  
Coils may be hot to touch if used in continuous duty applications.

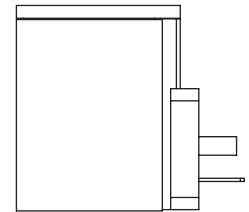
"F" - Weather-Pack male on leads



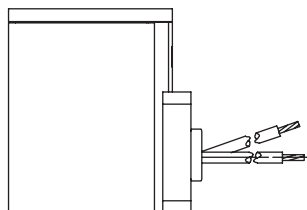
"Q" - Spade terminal



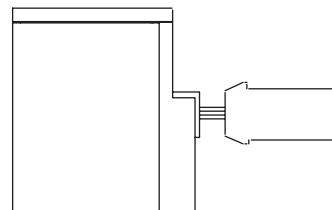
"U" - DIN 43650



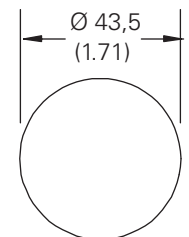
"W" 610 mm (24 inch) lead wire



"Y" - Metri-Pack 150 male on leads



Note: Width – all configurations



Where measurements are critical request certified drawings. We reserve the right to change specifications without notice.