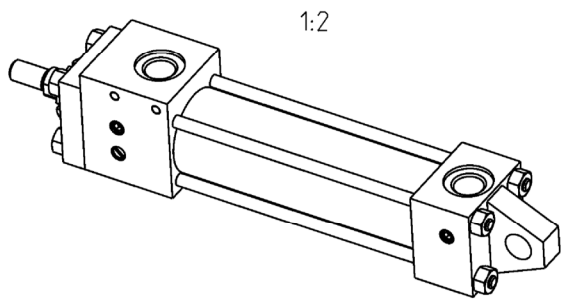
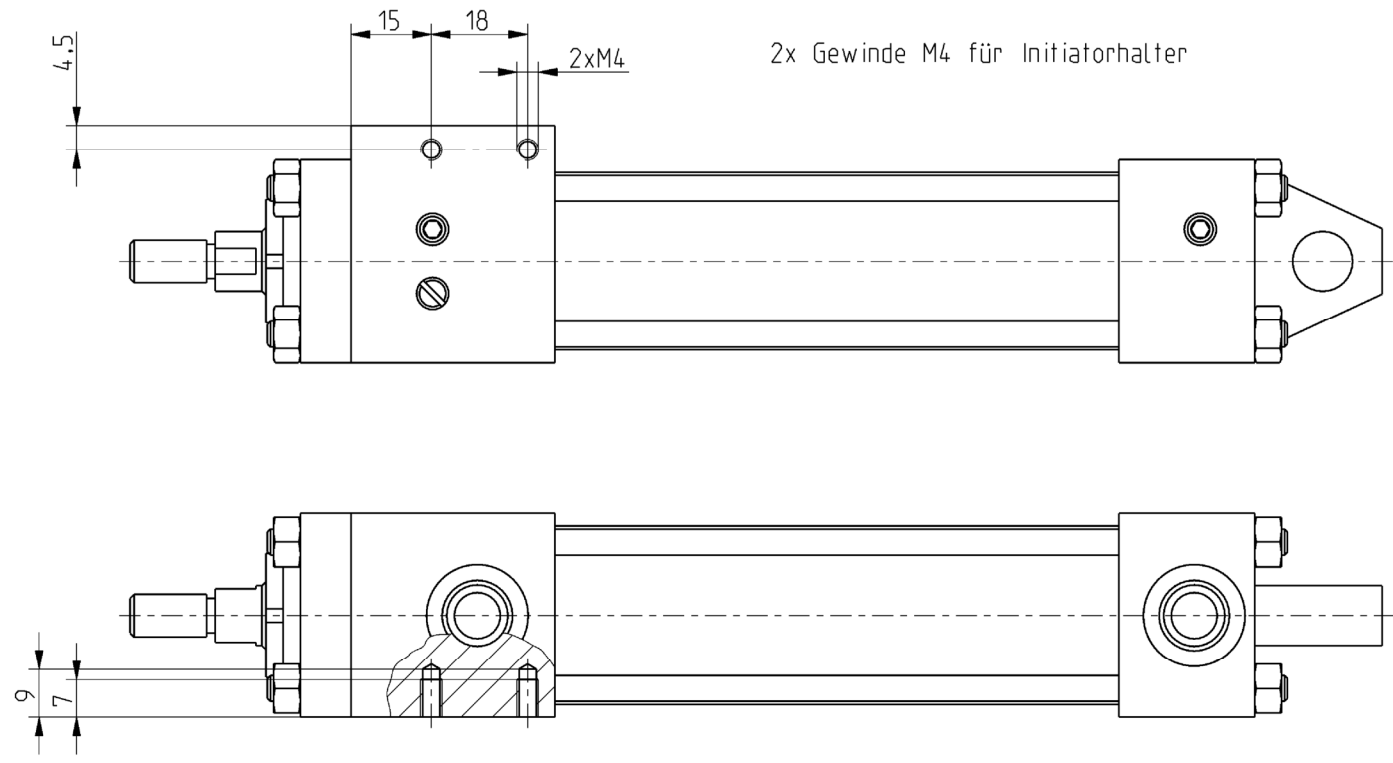



This document is to be treated confidentially. The document is a trade secret. It is given in the confidence of this document as well as the communication of its contents to others without express authorization of the author is prohibited. The author shall be held liable for any damage caused by the disclosure of its contents. All rights reserved.

FR Released - Confidentiality: CONFIDENTIAL



Umfeld / Add. Data			
Material, Sache / Item		Ref.-Nr.	Bezeichnung / Designation
077567480-0000			M-10065343AA-K00001 ZYLINDER
Version Version 00	Datum Date 2011-11-08	Änderungsbeschreibung / Modification description	
Vor-Vers. Prev ver	Änd.-Nr. Modif. No. F63957	 © 2011 Schaeffler Technologies GmbH & Co. KG	
Maßstab Scale 1:1 Maße ohne Toleranzen General tolerances ISO 2768-mH			
Tolerierung Tolerancing ISO 8015		Erweiterte Benennung / Additional description	
Masse / Mass 1,75 kg		Werkstoff, Halbzeug / Mater., semi-finished prod. ZYL 25.4CBB3LR1C14MC80.000M1144-NR.17986 067060633-0000	
Blatt Sheet 1 / 1	Format Size A3	Fertigteilzeichnung Finished-part drawing	Dokument / Document EDM M-10065343AA-K00001 000